

TRANSCEND
B e y o n d P o s s i b i l i t i e s

MACHINE VISION LIGHTING

CONTACT:

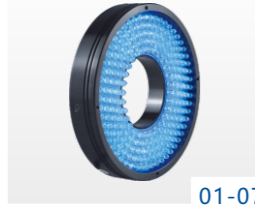


Bangkok System Technology Co.,Ltd.

E-mail: sales@bangkoksystems.com
H/P: 081-6949450

Products

Ring light source



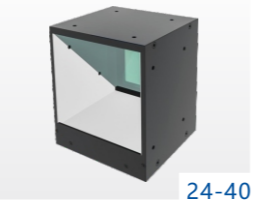
01-07

Bar light source



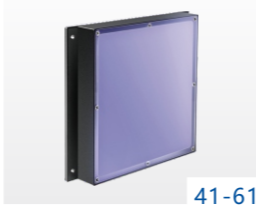
08-23

Coaxial light source



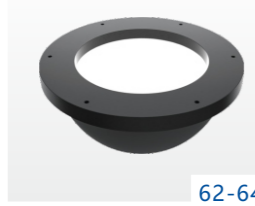
24-40

Back light source



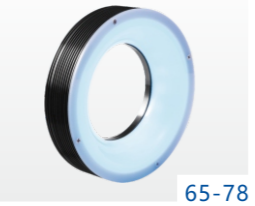
41-61

Dome light source



62-64

Shadowless light source



65-78

Spot light source



79-82

Line light source



83-95

RGB light source



96-98

AOI light source



98-101

UV light source



101-105

IR light source



106-110

Polarized light source



111-114

Structure light source



115-116

Customized light source



117-120

Aanlog controller



121-124

Digital controller



125-128

Strobe controller



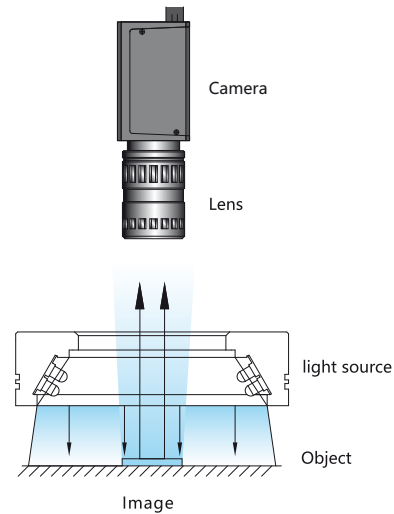
129-132

Constant current controller



133-137

Ring light source RS series



Product feature

- High density LED array, high brightness.
- Compact structure design, save installation space.
- Optional diffuse plate to make light diffusion evenly.
- Unique heat dissipation structure, improve the stability of light source.

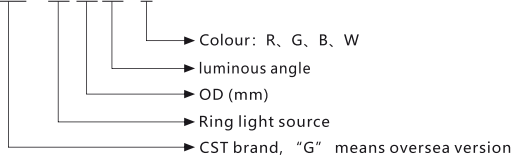
Application

- Various character recognition
- Various appearance inspection
- Various damage and defect inspection
- QR codes, one-dimension code bar code reading
- Part inspection on substrates
- mint-mark on the metal surface
- Various edge extraction
- The inspection of the medicine mix foreign matter
- Defect inspection of glass end face
- O - ring appearance inspection
- Various edge inspection
- Foreign matter inspection on wafers
- Inspection the binding of shrink film
- Rubber character inspection
- Various color recognition inspection
- Screen printing inspection

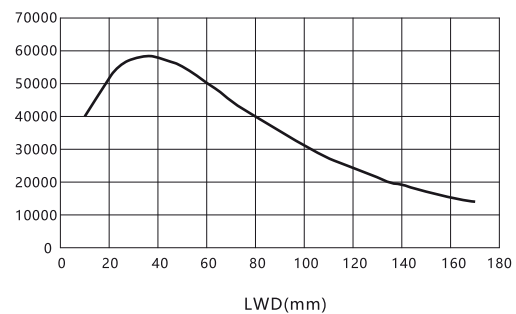
CSTG No.

Bar light source (CSTG-RS Series)

CSTG - RS 53 90 - R



Illuminance graph CSTG-RS12070-W



Uniform chart of light source

CSTG#: CSTG-RS12070-W

FOV: 65×65mm



LWD=90mm

LWD=120mm

LWD=150mm

Wave length/color temp	Red	620-630 nm	IR	850-940 nm
	Blue	465-475 nm	UV	365-405 nm
	White	6000-10000K	Green	520-530 nm
Storage environment	Temp	-20-60°C	Humidity	20-85%RH(Non-condensation)
Using environment		0-40°C		
Option accessories	Extension cable, Diffuse plate			
Controller	CSTG-DPS series, CSTG-APS series, CSTG-SPS series (The selected controller should match the power of the light source)			
Service life	When the environment at 25°C, the red color works continuously for 60000 hours with 50% illumination, the decrement at 50%			
	When the environment at 25°C, the white color works continuously for 30000 hours with 50% illumination, the decrement at 50%			
Quality assurance	CSTG products shipped out within 1 year, the fault not caused by personal reason, will provide free maintenance or replacement services			

Ring light source RS Series

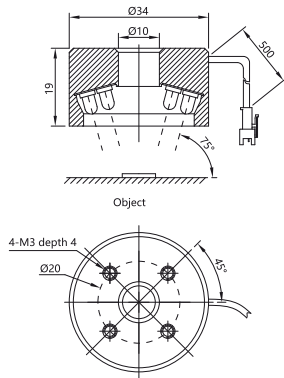
Specifications

Item	Model	Color	Power(w)		lamp bead Rows	Overall size(mm)			Recommended controller
			R	G/B/W		OD	ID	H	
1	CSTG-RS3475-R/G/B/W	●●●○	1.2	2	2	34	10	19	CSTG-DPS, CSTG-APS, CSTG-SPS
2	CSTG-RS4090-R/G/B/W	●●●○	0.8	1.2	1	40	24	23	CSTG-DPS, CSTG-APS, CSTG-SPS
3	CSTG-RS4265-R/G/B/W	●●●○	1.6	2.4	2	42	18	18	CSTG-DPS, CSTG-APS, CSTG-SPS
4	CSTG-RS5015-R/G/B/W	●●●○	1.6	2.4	2	50	14	18	CSTG-DPS, CSTG-APS, CSTG-SPS
5	CSTG-RS5045-R/G/B/W	●●●○	3.2	4.8	3	50	20	19	CSTG-DPS, CSTG-APS, CSTG-SPS
6	CSTG-RS5260-R/G/B/W	●●●○	2.4	3.6	2	52	28	20	CSTG-DPS, CSTG-APS, CSTG-SPS
7	CSTG-RS5390-R/G/B/W	●●●○	2	3.2	2	53	25	17	CSTG-DPS, CSTG-APS, CSTG-SPS
8	CSTG-RS6000-R/G/B/W	●●●○	1.2	2	1	60	30	9	CSTG-DPS, CSTG-APS, CSTG-SPS
9	CSTG-RS6030-R/G/B/W	●●●○	2.4	3.6	2	60	22	18	CSTG-DPS, CSTG-APS, CSTG-SPS
10	CSTG-RS6660-R/G/B/W	●●●○	4	6.7	3	66	35	20	CSTG-DPS, CSTG-APS, CSTG-SPS
11	CSTG-RS7390-R/G/B/W	●●●○	4.8	7.1	3	73	36	17.5	CSTG-DPS, CSTG-APS, CSTG-SPS
12	CSTG-RS7430-R/G/B/W	●●●○	3.2	4.8	2	74	40	20	CSTG-DPS, CSTG-APS, CSTG-SPS
13	CSTG-RS7460-R/G/B/W	●●●○	4.8	7.1	3	74	35	20	CSTG-DPS, CSTG-APS, CSTG-SPS
14	CSTG-RS9030-R/G/B/W	●●●○	6.3	9.5	3	90	50	21	CSTG-DPS, CSTG-APS, CSTG-SPS
15	CSTG-RS9045-R/G/B/W	●●●○	7.1	12	4	90	46	21	CSTG-DPS, CSTG-APS, CSTG-SPS
16	CSTG-RS9070-R/G/B/W	●●●○	7.1	12	4	90	44	20	CSTG-DPS, CSTG-APS, CSTG-SPS
17	CSTG-RS9600-R/G/B/W	●●●○	2.4	3.6	1	96	60	10	CSTG-DPS, CSTG-APS, CSTG-SPS
18	CSTG-RS10090-R/G/B/W	●●●○	8.3	14	5	100	40	18	CSTG-DPS, CSTG-APS, CSTG-SPS
19	CSTG-RS12030-R/G/B/W	●●●○	8.3	14	3	120	80	23	CSTG-DPS, CSTG-APS, CSTG-SPS
20	CSTG-RS12050-R/G/B/W	●●●○	11	17	4	120	80	23	CSTG-DPS, CSTG-APS, CSTG-SPS
21	CSTG-RS12070-R/G/B/W	●●●○	11	17	4	120	65	22	CSTG-DPS, CSTG-APS, CSTG-SPS
22	CSTG-RS12090-R/G/B/W	●●●○	8.7	13	3	120	76	18	CSTG-DPS, CSTG-APS, CSTG-SPS
23	CSTG-RS13220-R/G/B/W	●●●○	9.5	15	3	132	96	22	CSTG-DPS, CSTG-APS, CSTG-SPS
24	CSTG-RS14600-R/G/B/W	●●●○	3.2	4.8	1	146	104	11	CSTG-DPS, CSTG-APS, CSTG-SPS
25	CSTG-RS15030-R/G/B/W	●●●○	13.4	20	4	150	102	27	CSTG-DPS, CSTG-APS, CSTG-SPS
26	CSTG-RS15045-R/G/B/W	●●●○	14	20	4	150	105	23	CSTG-DPS, CSTG-APS, CSTG-SPS
27	CSTG-RS15060-R/G/B/W	●●●○	11	16	3	150	110	21	CSTG-DPS, CSTG-APS, CSTG-SPS
28	CSTG-RS15090-R/G/B/W	●●●○	26	37	9	150	40	18	CSTG-DPS, CSTG-APS, CSTG-SPS
29	CSTG-RS17020-R/G/B/W	●●●○	13	19	3	170	134	22	CSTG-DPS, CSTG-APS, CSTG-SPS
30	CSTG-RS17090-R/G/B/W	●●●○	16	22	4	170	120	22	CSTG-DPS, CSTG-APS, CSTG-SPS
31	CSTG-RS17200-R/G/B/W	●●●○	4.8	6.3	1	172	130	9	CSTG-DPS, CSTG-APS, CSTG-SPS
32	CSTG-RS18030-R/G/B/W	●●●○	24	26	5	180	132	27	CSTG-DPS, CSTG-APS, CSTG-SPS
33	CSTG-RS18060-R/G/B/W	●●●○	18	26	4	180	126	21	CSTG-DPS, CSTG-APS, CSTG-SPS
34	CSTG-RS18090-R/G/B/W	●●●○	16	23	4	180	130	22	CSTG-DPS, CSTG-APS, CSTG-SPS
35	CSTG-RS20820-R/G/B/W	●●●○	15	19	3	208	172	23	CSTG-DPS, CSTG-APS, CSTG-SPS
36	CSTG-RS20860-R/G/B/W	●●●○	14.2	24	3	208	155	24	CSTG-DPS, CSTG-APS, CSTG-SPS
37	CSTG-RS21300-R/G/B/W	●●●○	4.8	7.9	1	213	175	11	CSTG-DPS, CSTG-APS, CSTG-SPS
38	CSTG-RS26070-R/G/B/W	●●●○	26	36	4	260	200	21	CSTG-DPS, CSTG-APS, CSTG-SPS
39	CSTG-RS26220-R/G/B/W	●●●○	14	19	2	262	226	16.5	CSTG-DPS, CSTG-APS, CSTG-SPS
40	CSTG-RS31800-R/G/B/W	●●●○	14	20	2	318	246	16.4	CSTG-DPS, CSTG-APS, CSTG-SPS
41	CSTG-RS35030-R/G/B/W	●●●○	28	39	3	350	300	29	CSTG-DPS, CSTG-APS, CSTG-SPS

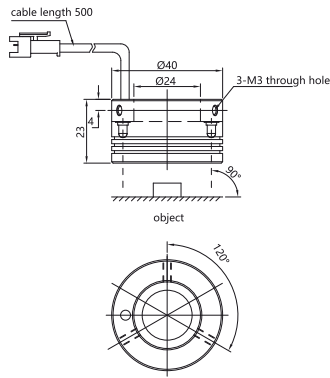
Ring light source RS series

Product dimension(mm)

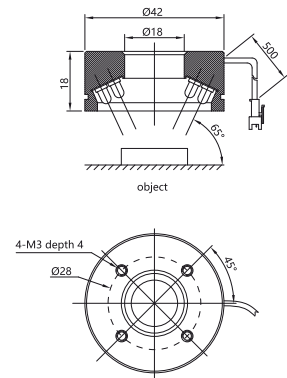
CSTG-RS3475 1



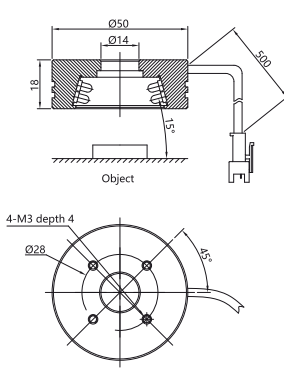
CSTG-RS4090 2



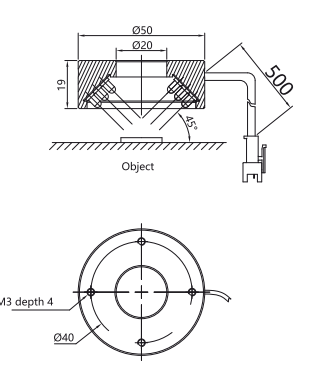
CSTG-RS4265 3



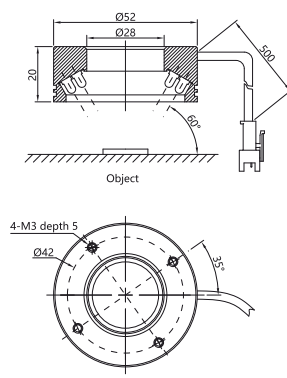
CSTG-RS5015 4



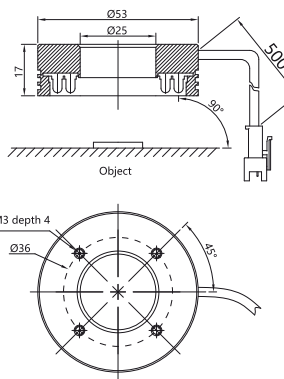
CSTG-RS5045 5



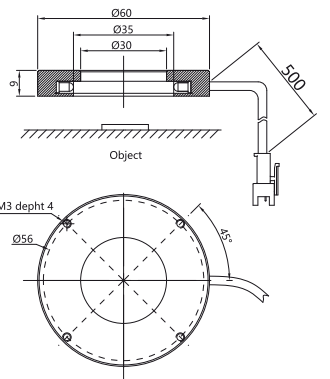
CSTG-RS5260 6



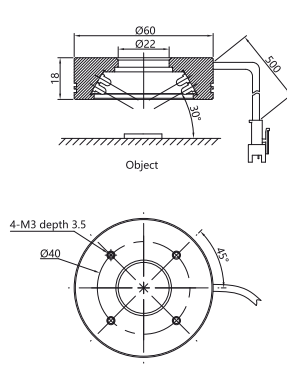
CSTG-RS5390 7



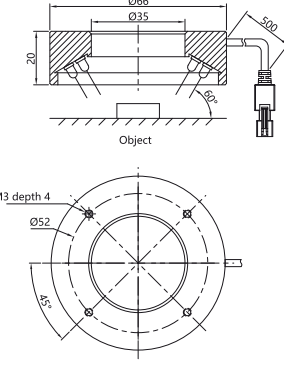
CSTG-RS6000 8



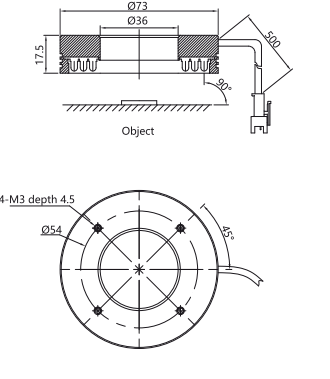
CSTG-RS6030 9



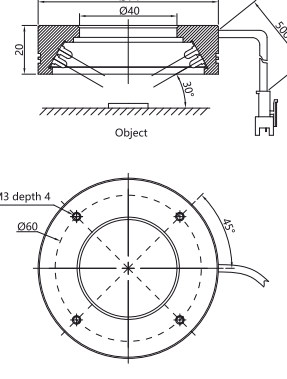
CSTG-RS6660 10



CSTG-RS7390 11



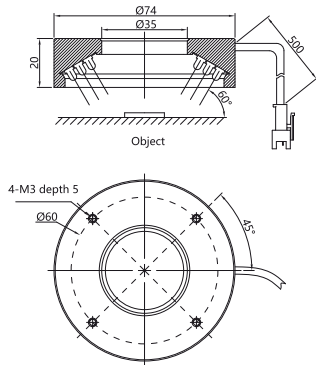
CSTG-RS7430 12



Product dimension(mm)

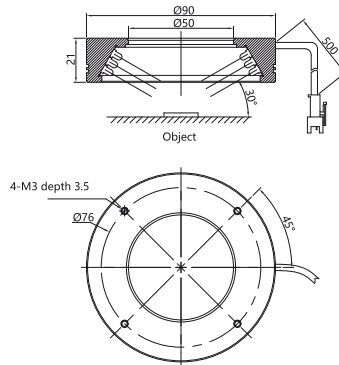
CSTG-RS7460

13



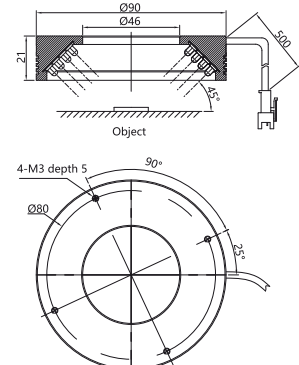
CSTG-RS9030

14



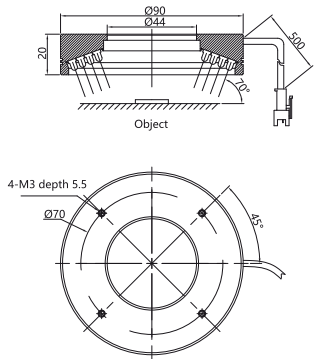
CSTG-RS9045

15



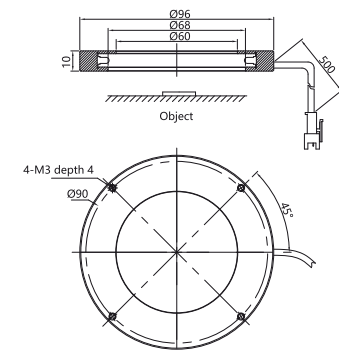
CSTG-RS9070

16



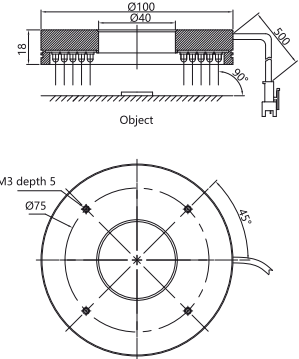
CSTG-RS9600

17



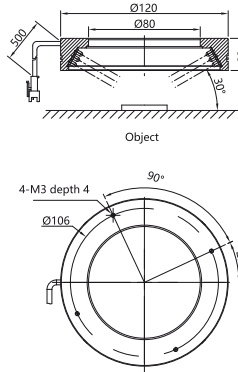
CSTG-RS10090

18



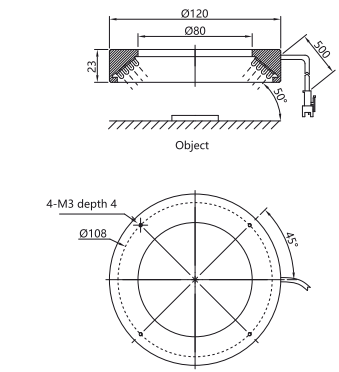
CSTG-RS12030

19



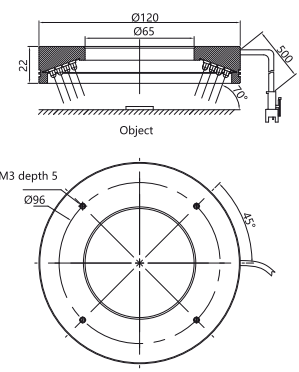
CSTG-RS12050

20



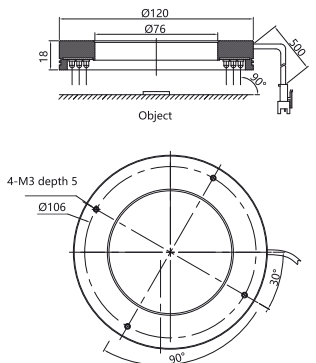
CSTG-RS12070

21



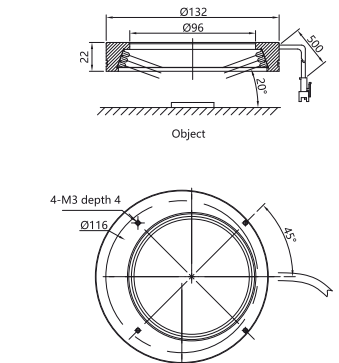
CSTG-RS12090

22



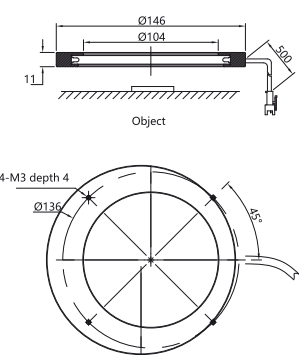
CSTG-RS13220

23



CSTG-RS14600

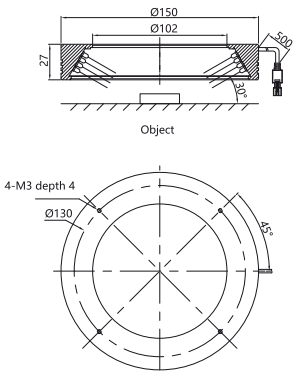
24



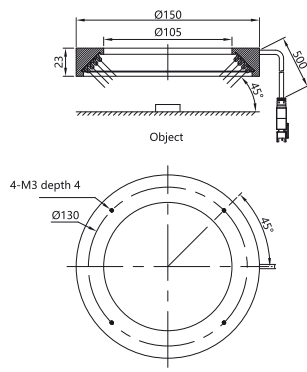
Ring light source RS series

Product dimension(mm)

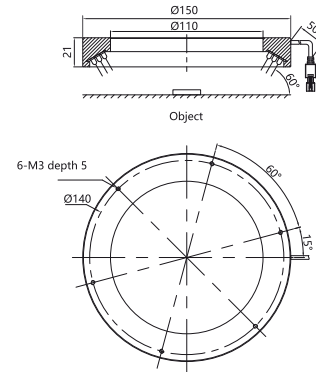
CSTG-RS15030 25



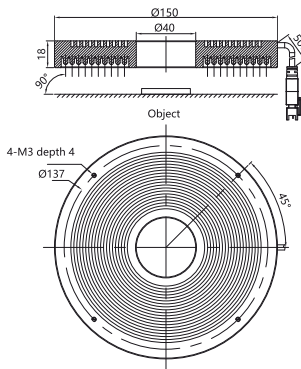
CSTG-RS15045 26



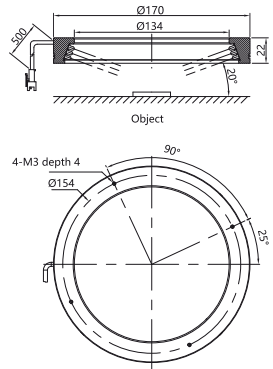
CSTG-RS15060 27



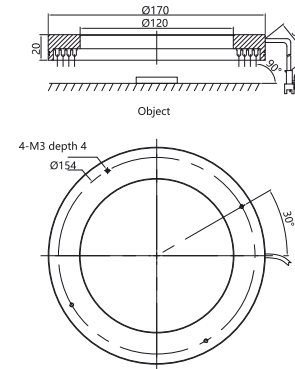
CSTG-RS15090 28



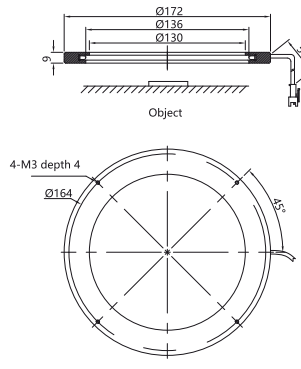
CSTG-RS17020 29



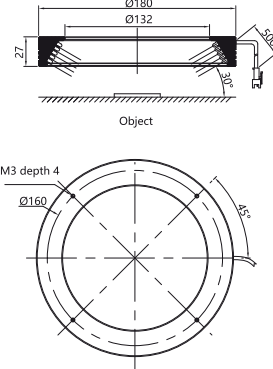
CSTG-RS17090 30



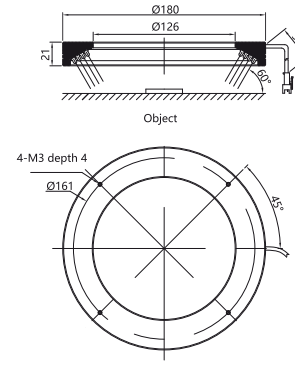
CSTG-RS17200 31



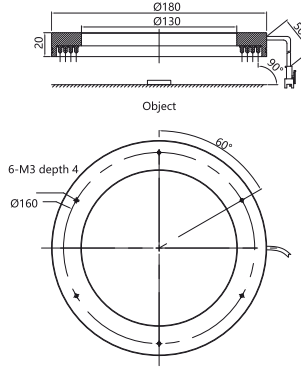
CSTG-RS18030 32



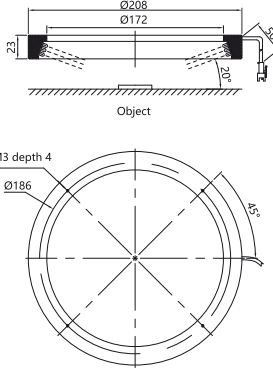
CSTG-RS18060 33



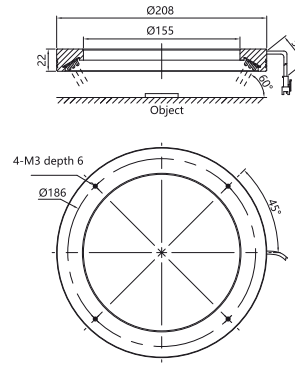
CSTG-RS18090 34



CSTG-RS20820 35

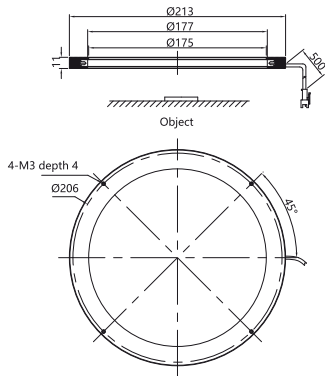


CSTG-RS20860 36

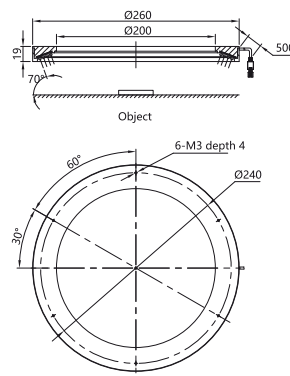


Product dimension(mm)

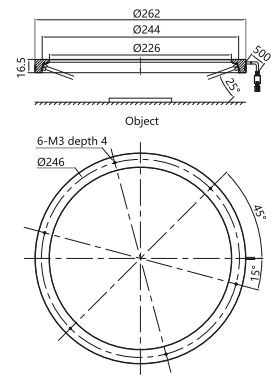
CSTG-RS21300 37



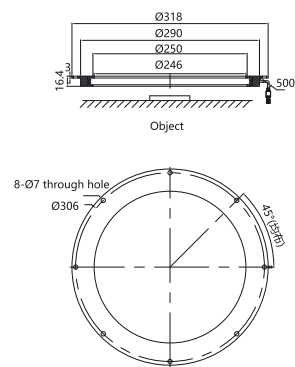
CSTG-RS26070 38



CSTG-RS26220 39



CSTG-RS31800 40



CSTG-RS35030 41

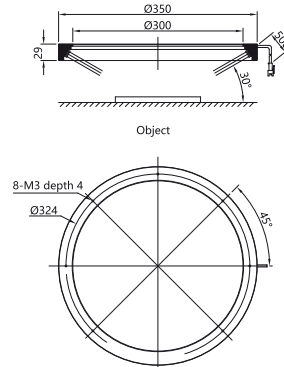
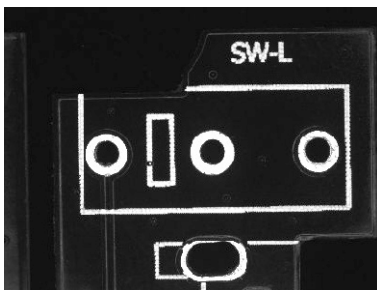
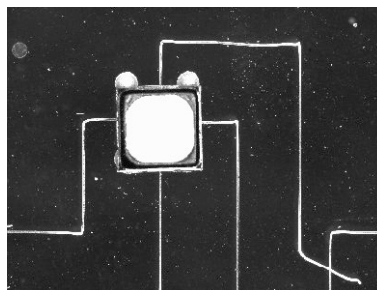


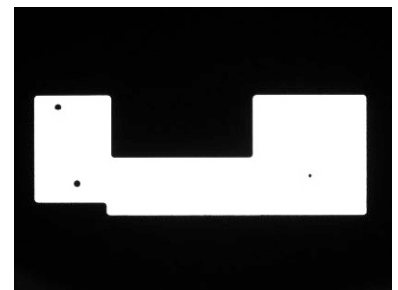
Image cases



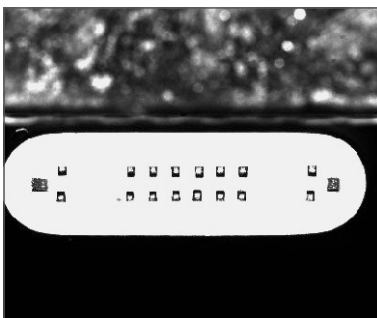
CSTG-RS5260-R
PCB positioning



CSTG-RS6660-B
Glass circuit inspection



CSTG-RS10090-W
Profile detection for steel sheet



CSTG-RS7390-B
USB Pin inspection



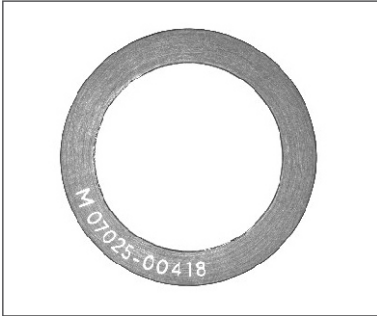
CSTG-RS7460-B
Thread defect inspection



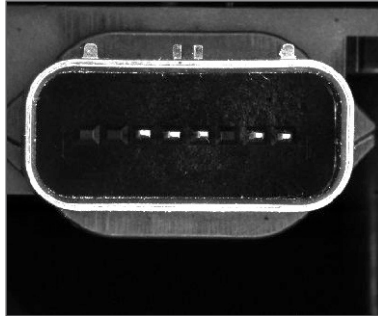
CSTG-RS18030-R
Watch Positioning detection

Ring light source RS series

Image cases



CSTG-RS9070-W
Inspection the character on the steel surface



CSTG-RS10010-W
Pin inspection



CSTG-RS9030-W
Character inspection for button



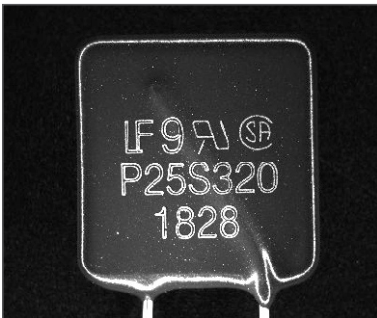
CSTG-RS12070-R
Character detection on bottle cap



CSTG-RS12070-W
Positioning inspection



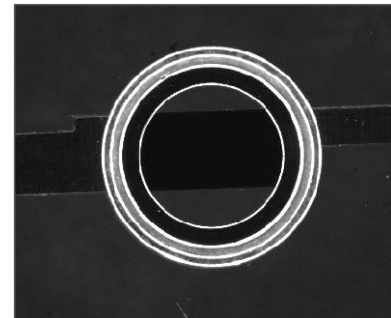
CSTG-RS12070-W
Character inspection



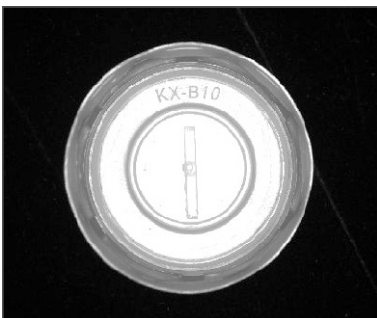
CSTG-RS14600-B
Character inspection



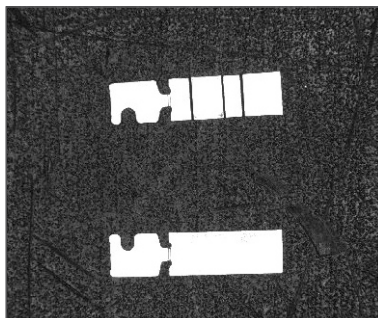
CSTG-RS14600-R
Positioning inspection



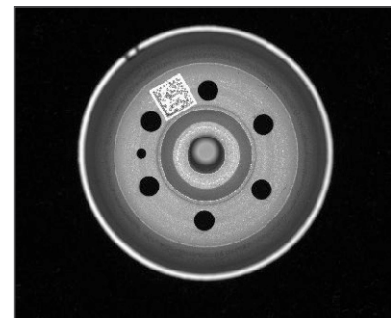
CSTG-RS18030-W
Measurement of cylinder inner diameter



CSTG-RS7390-B
Positioning & Character inspection

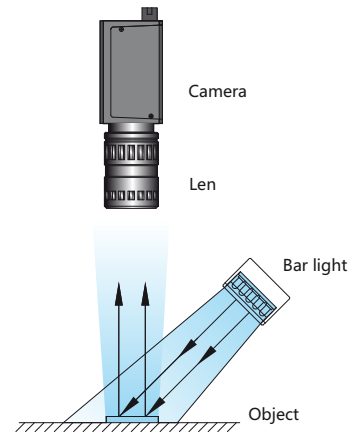


CSTG-RS7390-W
Front side/back side inspection



CSTG-RS9030-W
QR code & Positioning inspection

Bar light source BS series



Product feature

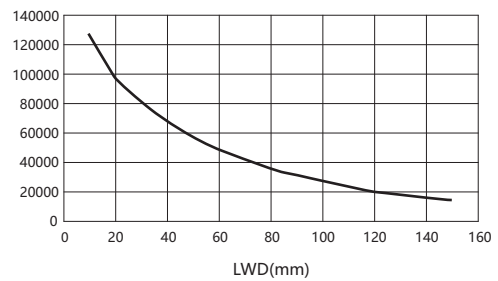
- Flexible size design
- Irradiation angle can be adjusted according to testing requirements
- Custom color selection and combination
- Optional diffuse plate to make light diffusion uniformity

Application

- Wide field lighting preferred
- Various character recognition
- Various appearance inspection
- Various damage and defect inspection
- QR codes, one-dimension code barcode reading
- Inspection the component on substrates
- mint-mark on the metal surface
- Uniform irradiate at high angles
- Extraction feature at low angle

Illuminance graph

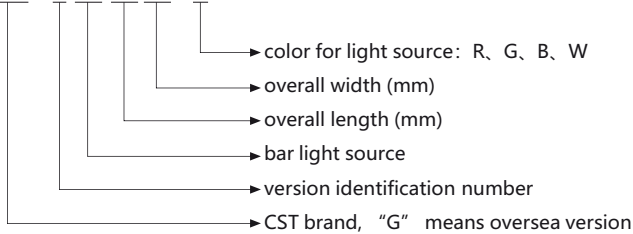
CSTG-2BS14738-W



CSTG No.

Bar light source(CSTG-BS Series)

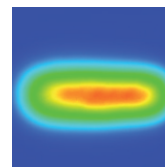
CSTG - 2 BS 57 18 - R



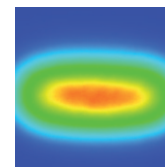
Uniform chart of light source

CSTG#: CSTG-2BS14738-W

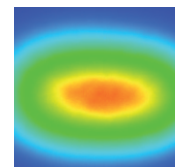
FOV: 160×160mm



LWD=50mm



LWD=80mm



LWD=120mm

Wave length/color temp	Red	620-630 nm	IR	850-940 nm
	Blue	465-475 nm	UV	365-405 nm
	White	6000-6500K	Green	520-530 nm
Storage environment	Temperature	-20-60°C	Humidity	20-85%RH(Non-condensation)
Using environment		0-40°C		
Option accessories	Extension cable, Diffuse plate			
Controller	CSTG-DPS Series, CSTG-APS Series, CSTG-SPS Series (The selected controller should match the power of the light source)			
Service life	When the environment at 25°C, the red color works continuously for 60000 hours with 50% illumination,the decrement at 50% When the environment at 25°C, the white color works continuously for 30000 hours with 50% illumination,the decrement at 50%			
Quality assurance	CSTG products shipped out within 1 year, the fault not caused by personal reason, will provide free maintenance or replacement services			

Bar light source BS Series

Specification

Item	CSTG#	Color	Power(W)		lamp bead Rows	Light cable	Overall size(mm)			Recommended controller
			R	G/B/W			L	W	H	
1	CSTG-2BS5718-R\G\B\W	●●●○	0.8	1.2	2	1	57	18	27	CSTG-DPS, CSTG-APS, CSTG-SPS
2	CSTG-2BS5728-R\G\B\W	●●●○	1.6	2.4	4	1	57	28	27	CSTG-DPS, CSTG-APS, CSTG-SPS
3	CSTG-2BS5738-R\G\B\W	●●●○	2.4	3.6	6	1	57	38	27	CSTG-DPS, CSTG-APS, CSTG-SPS
4	CSTG-2BS10218-R\G\B\W	●●●○	1.6	2.4	2	1	102	18	27	CSTG-DPS, CSTG-APS, CSTG-SPS
5	CSTG-2BS10228-R\G\B\W	●●●○	3.2	4.8	4	1	102	28	27	CSTG-DPS, CSTG-APS, CSTG-SPS
6	CSTG-2BS10238-R\G\B\W	●●●○	4.8	7.1	6	1	102	38	27	CSTG-DPS, CSTG-APS, CSTG-SPS
7	CSTG-2BS14718-R\G\B\W	●●●○	2.4	3.6	2	1	147	18	27	CSTG-DPS, CSTG-APS, CSTG-SPS
8	CSTG-2BS14728-R\G\B\W	●●●○	4.8	7.1	4	1	147	28	27	CSTG-DPS, CSTG-APS, CSTG-SPS
9	CSTG-2BS14738-R\G\B\W	●●●○	7.1	11	6	1	147	38	27	CSTG-DPS, CSTG-APS, CSTG-SPS
10	CSTG-2BS19218-R\G\B\W	●●●○	3.2	4.8	2	1	192	18	27	CSTG-DPS, CSTG-APS, CSTG-SPS
11	CSTG-2BS19228-R\G\B\W	●●●○	6.3	9.5	4	1	192	28	27	CSTG-DPS, CSTG-APS, CSTG-SPS
12	CSTG-2BS19238-R\G\B\W	●●●○	9.5	15	6	1	192	38	27	CSTG-DPS, CSTG-APS, CSTG-SPS
13	CSTG-2BS23718-R\G\B\W	●●●○	4	5.9	2	1	237	18	27	CSTG-DPS, CSTG-APS, CSTG-SPS
14	CSTG-2BS23728-R\G\B\W	●●●○	7.9	12	4	1	237	28	27	CSTG-DPS, CSTG-APS, CSTG-SPS
15	CSTG-2BS23738-R\G\B\W	●●●○	12	18	6	1	237	38	27	CSTG-DPS, CSTG-APS, CSTG-SPS
16	CSTG-2BS28218-R\G\B\W	●●●○	4.8	7.1	2	1	282	18	27	CSTG-DPS, CSTG-APS, CSTG-SPS
17	CSTG-2BS28228-R\G\B\W	●●●○	9.5	15	4	1	282	28	27	CSTG-DPS, CSTG-APS, CSTG-SPS
18	CSTG-2BS28238-R\G\B\W	●●●○	15	22	6	1	282	38	27	CSTG-DPS, CSTG-APS, CSTG-SPS
19	CSTG-2BS32718-R\G\B\W	●●●○	5.5	8.3	2	1	327	18	27	CSTG-DPS, CSTG-APS, CSTG-SPS
20	CSTG-2BS32728-R\G\B\W	●●●○	11	17	4	1	327	28	27	CSTG-DPS, CSTG-APS, CSTG-SPS
21	CSTG-2BS32738-R\G\B\W	●●●○	17	25	6	1	327	38	27	CSTG-DPS, CSTG-APS, CSTG-SPS
22	CSTG-2BS37218-R\G\B\W	●●●○	6.3	9.5	2	1	372	18	27	CSTG-DPS, CSTG-APS, CSTG-SPS
23	CSTG-2BS37228-R\G\B\W	●●●○	13	19	4	1	372	28	27	CSTG-DPS, CSTG-APS, CSTG-SPS
24	CSTG-2BS37238-R\G\B\W	●●●○	19	29	6	1	372	38	27	CSTG-DPS, CSTG-APS, CSTG-SPS
25	CSTG-2BS41718-R\G\B\W	●●●○	7.1	11	2	1	417	18	27	CSTG-DPS, CSTG-APS, CSTG-SPS
26	CSTG-2BS41728-R\G\B\W	●●●○	15	22	4	1	417	28	27	CSTG-DPS, CSTG-APS, CSTG-SPS
27	CSTG-2BS41738-R\G\B\W	●●●○	22	32	6	1	417	38	27	CSTG-DPS, CSTG-APS, CSTG-SPS
28	CSTG-2BS46218-R\G\B\W	●●●○	8	12	2	1	462	18	27	CSTG-DPS, CSTG-APS, CSTG-SPS
29	CSTG-2BS46228-R\G\B\W	●●●○	16	24	4	1	462	28	27	CSTG-DPS, CSTG-APS, CSTG-SPS
30	CSTG-2BS46238-R\G\B\W	●●●○	24	36	6	1	462	38	27	CSTG-DPS, CSTG-APS, CSTG-SPS
31	CSTG-2BS50718-R\G\B\W	●●●○	8.8	13.2	2	1	507	18	27	CSTG-DPS, CSTG-APS, CSTG-SPS
32	CSTG-2BS50728-R\G\B\W	●●●○	17.6	26.4	4	1	507	28	27	CSTG-DPS, CSTG-APS, CSTG-SPS
33	CSTG-2BS50738-R\G\B\W	●●●○	26.4	44	6	1	507	38	27	CSTG-DPS, CSTG-APS, CSTG-SPS
34	CSTG-2BS55218-R\G\B\W	●●●○	9.6	14.4	2	1	552	18	27	CSTG-DPS, CSTG-APS, CSTG-SPS
35	CSTG-2BS55228-R\G\B\W	●●●○	19.2	28.8	4	1	552	28	27	CSTG-DPS, CSTG-APS, CSTG-SPS
36	CSTG-2BS55238-R\G\B\W	●●●○	28.8	43.2	6	1	552	38	27	CSTG-DPS, CSTG-APS, CSTG-SPS
37	CSTG-2BS59718-R\G\B\W	●●●○	11	16	2	1	597	18	27	CSTG-DPS, CSTG-APS, CSTG-SPS
38	CSTG-2BS59728-R\G\B\W	●●●○	21	32	4	1	597	28	27	CSTG-DPS, CSTG-APS, CSTG-SPS
39	CSTG-2BS59738-R\G\B\W	●●●○	32	47	6	1	597	38	27	CSTG-DPS, CSTG-APS, CSTG-SPS
40	CSTG-2BS64218-R\G\B\W	●●●○	12	17	2	1	642	18	27	CSTG-DPS, CSTG-APS, CSTG-SPS
41	CSTG-2BS64228-R\G\B\W	●●●○	22.4	33.6	4	1	642	28	27	CSTG-DPS, CSTG-APS, CSTG-SPS
42	CSTG-2BS64238-R\G\B\W	●●●○	33.6	50.4	6	1	642	38	27	CSTG-DPS, CSTG-APS, CSTG-SPS

Specification

Item	CSTG#	Color	Power(W)		lamp bead Rows	Light cable	Overall size(mm)			Recommended controller
			R	G/B/W			L	W	H	
43	CSTG-2BS68718-R\G\B\W	●●●○	12	18	2	1	687	18	27	CSTG-DPS, CSTG-APS, CSTG-SPS
44	CSTG-2BS68728-R\G\B\W	●●●○	24	36	4	1	687	28	27	CSTG-DPS, CSTG-APS, CSTG-SPS
45	CSTG-2BS68738-R\G\B\W	●●●○	36	54	6	1	687	38	27	CSTG-DPS, CSTG-APS, CSTG-SPS
46	CSTG-2BS73218-R\G\B\W	●●●○	12.8	19.2	2	1	732	18	27	CSTG-DPS, CSTG-APS, CSTG-SPS
47	CSTG-2BS73228-R\G\B\W	●●●○	26	39	4	1	732	28	27	CSTG-DPS, CSTG-APS, CSTG-SPS
48	CSTG-2BS73238-R\G\B\W	●●●○	39	58	6	1	732	38	27	CSTG-DPS, CSTG-APS, CSTG-SPS
49	CSTG-2BS77718-R\G\B\W	●●●○	13.6	20.4	2	1	777	18	27	CSTG-DPS, CSTG-APS, CSTG-SPS
50	CSTG-2BS77728-R\G\B\W	●●●○	27.2	40.8	4	1	777	28	27	CSTG-DPS, CSTG-APS, CSTG-SPS
51	CSTG-2BS77738-R\G\B\W	●●●○	40.8	61.2	6	1	777	38	27	CSTG-DPS, CSTG-APS, CSTG-SPS
52	CSTG-2BS82218-R\G\B\W	●●●○	15	22	2	1	822	18	27	CSTG-DPS, CSTG-APS, CSTG-SPS
53	CSTG-2BS82228-R\G\B\W	●●●○	29	44	4	1	822	28	27	CSTG-DPS, CSTG-APS, CSTG-SPS
54	CSTG-2BS82238-R\G\B\W	●●●○	44	65	6	1	822	38	27	CSTG-DPS, CSTG-APS, CSTG-SPS
55	CSTG-2BS86718-R\G\B\W	●●●○	15.2	22.8	2	1	867	18	27	CSTG-DPS, CSTG-APS, CSTG-SPS
56	CSTG-2BS86728-R\G\B\W	●●●○	30.4	45.6	4	1	867	28	27	CSTG-DPS, CSTG-APS, CSTG-SPS
57	CSTG-2BS86738-R\G\B\W	●●●○	45.6	68.4	6	1	867	38	27	CSTG-DPS, CSTG-APS, CSTG-SPS
58	CSTG-2BS91218-R\G\B\W	●●●○	16	24	2	1	912	18	27	CSTG-DPS, CSTG-APS, CSTG-SPS
59	CSTG-2BS91228-R\G\B\W	●●●○	32	48	4	1	912	28	27	CSTG-DPS, CSTG-APS, CSTG-SPS
60	CSTG-2BS91238-R\G\B\W	●●●○	48	72	6	1	912	38	27	CSTG-DPS, CSTG-APS, CSTG-SPS
61	CSTG-2BS95718-R\G\B\W	●●●○	16.8	25.5	2	1	957	18	27	CSTG-DPS, CSTG-APS, CSTG-SPS
62	CSTG-2BS95728-R\G\B\W	●●●○	30	50.4	4	1	957	28	27	CSTG-DPS, CSTG-APS, CSTG-SPS
63	CSTG-2BS95738-R\G\B\W	●●●○	50.4	76	6	1	957	38	27	CSTG-DPS, CSTG-APS, CSTG-SPS
64	CSTG-2BS100218-R\G\B\W	●●●○	17.6	26.4	2	1	1002	18	27	CSTG-DPS, CSTG-APS, CSTG-SPS
65	CSTG-2BS100228-R\G\B\W	●●●○	35	52.4	4	1	1002	28	27	CSTG-DPS, CSTG-APS, CSTG-SPS
66	CSTG-2BS100238-R\G\B\W	●●●○	52.8	79.2	6	2	1002	38	27	CSTG-DPS, CSTG-APS, CSTG-SPS
67	CSTG-2BS104718-R\G\B\W	●●●○	18.4	27.6	2	1	1047	18	27	CSTG-DPS, CSTG-APS, CSTG-SPS
68	CSTG-2BS104728-R\G\B\W	●●●○	36.8	55.2	4	1	1047	28	27	CSTG-DPS, CSTG-APS, CSTG-SPS
69	CSTG-2BS104738-R\G\B\W	●●●○	55.2	82.8	6	2	1047	38	27	CSTG-DPS, CSTG-APS, CSTG-SPS
70	CSTG-2BS109218-R\G\B\W	●●●○	19.2	28.8	2	1	1092	18	27	CSTG-DPS, CSTG-APS, CSTG-SPS
71	CSTG-2BS109228-R\G\B\W	●●●○	38.4	57.6	4	1	1092	28	27	CSTG-DPS, CSTG-APS, CSTG-SPS
72	CSTG-2BS109238-R\G\B\W	●●●○	57.6	86.4	6	2	1092	38	27	CSTG-DPS, CSTG-APS, CSTG-SPS
73	CSTG-2BS113718-R\G\B\W	●●●○	20	30	2	1	1137	18	27	CSTG-DPS, CSTG-APS, CSTG-SPS
74	CSTG-2BS113728-R\G\B\W	●●●○	40	60	4	1	1137	28	27	CSTG-DPS, CSTG-APS, CSTG-SPS
75	CSTG-2BS113738-R\G\B\W	●●●○	60	90	6	2	1137	38	27	CSTG-DPS, CSTG-APS, CSTG-SPS
76	CSTG-2BS118218-R\G\B\W	●●●○	20.8	31.2	2	1	1182	18	27	CSTG-DPS, CSTG-APS, CSTG-SPS
77	CSTG-2BS118228-R\G\B\W	●●●○	41.6	62.4	4	1	1182	28	27	CSTG-DPS, CSTG-APS, CSTG-SPS
78	CSTG-2BS118238-R\G\B\W	●●●○	62.4	93.6	6	2	1182	38	27	CSTG-DPS, CSTG-APS, CSTG-SPS
79	CSTG-2BS122718-R\G\B\W	●●●○	21.6	32.4	2	1	1227	18	27	CSTG-DPS, CSTG-APS, CSTG-SPS
80	CSTG-2BS122728-R\G\B\W	●●●○	43.2	64.8	4	1	1227	28	27	CSTG-DPS, CSTG-APS, CSTG-SPS
81	CSTG-2BS122738-R\G\B\W	●●●○	65	97.2	6	2	1227	38	27	CSTG-DPS, CSTG-APS, CSTG-SPS
82	CSTG-2BS127218-R\G\B\W	●●●○	22.4	33.6	2	1	1272	18	27	CSTG-DPS, CSTG-APS, CSTG-SPS
83	CSTG-2BS127228-R\G\B\W	●●●○	44.8	67.2	4	1	1272	28	27	CSTG-DPS, CSTG-APS, CSTG-SPS
84	CSTG-2BS127238-R\G\B\W	●●●○	67.2	100.8	6	2	1272	38	27	CSTG-DPS, CSTG-APS, CSTG-SPS

Bar light source 2BS Series

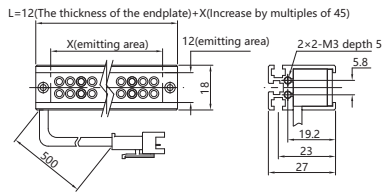
Specification

Item	CSTG#	Color	Power(W)		lamp bead Rows	Light cable	Overall size(mm)			Recommended controller
			R	G/B/W			L	W	H	
85	CSTG-2BS131718-R\G\B\W	●●●○	23.2	34.8	2	1	1317	18	27	CSTG-DPS, CSTG-APS, CSTG-SPS
86	CSTG-2BS131728-R\G\B\W	●●●○	46.4	69.6	4	1	1317	28	27	CSTG-DPS, CSTG-APS, CSTG-SPS
87	CSTG-2BS131738-R\G\B\W	●●●○	69.6	104.4	6	2	1317	38	27	CSTG-DPS, CSTG-APS, CSTG-SPS
88	CSTG-2BS136218-R\G\B\W	●●●○	24	36	2	1	1362	18	27	CSTG-DPS, CSTG-APS, CSTG-SPS
89	CSTG-2BS136228-R\G\B\W	●●●○	48	72	4	1	1362	28	27	CSTG-DPS, CSTG-APS, CSTG-SPS
90	CSTG-2BS136238-R\G\B\W	●●●○	72	108	6	2	1362	38	27	CSTG-DPS, CSTG-APS, CSTG-SPS
91	CSTG-2BS140718-R\G\B\W	●●●○	24.8	37.2	2	1	1407	18	27	CSTG-DPS, CSTG-APS, CSTG-SPS
92	CSTG-2BS140728-R\G\B\W	●●●○	49.6	74.4	4	1	1407	28	27	CSTG-DPS, CSTG-APS, CSTG-SPS
93	CSTG-2BS140738-R\G\B\W	●●●○	74.4	111.6	6	2	1407	38	27	CSTG-DPS, CSTG-APS, CSTG-SPS
94	CSTG-2BS145218-R\G\B\W	●●●○	25.6	38.4	2	1	1452	18	27	CSTG-DPS, CSTG-APS, CSTG-SPS
95	CSTG-2BS145228-R\G\B\W	●●●○	51.2	76.8	4	1	1452	28	27	CSTG-DPS, CSTG-APS, CSTG-SPS
96	CSTG-2BS145238-R\G\B\W	●●●○	76.8	115.2	6	2	1452	38	27	CSTG-DPS, CSTG-APS, CSTG-SPS
97	CSTG-2BS149718-R\G\B\W	●●●○	26.4	39.6	2	1	1497	18	27	CSTG-DPS, CSTG-APS, CSTG-SPS
98	CSTG-2BS149728-R\G\B\W	●●●○	52.8	79.2	4	2	1497	28	27	CSTG-DPS, CSTG-APS, CSTG-SPS
99	CSTG-2BS149738-R\G\B\W	●●●○	79.2	118.8	6	2	1497	38	27	CSTG-DPS, CSTG-APS, CSTG-SPS
100	CSTG-2BS154218-R\G\B\W	●●●○	27.2	40.8	2	1	1542	18	27	CSTG-DPS, CSTG-APS, CSTG-SPS
101	CSTG-2BS154228-R\G\B\W	●●●○	54.5	81.6	4	2	1542	28	27	CSTG-DPS, CSTG-APS, CSTG-SPS
102	CSTG-2BS154238-R\G\B\W	●●●○	81.6	122.4	6	2	1542	38	27	CSTG-DPS, CSTG-APS, CSTG-SPS
103	CSTG-2BS158718-R\G\B\W	●●●○	28	42	2	1	1587	18	27	CSTG-DPS, CSTG-APS, CSTG-SPS
104	CSTG-2BS158728-R\G\B\W	●●●○	56	84	4	2	1587	28	27	CSTG-DPS, CSTG-APS, CSTG-SPS
105	CSTG-2BS158738-R\G\B\W	●●●○	84	126	6	2	1587	38	27	CSTG-DPS, CSTG-APS, CSTG-SPS
106	CSTG-2BS163218-R\G\B\W	●●●○	28.8	43.2	2	1	1632	18	27	CSTG-DPS, CSTG-APS, CSTG-SPS
107	CSTG-2BS163228-R\G\B\W	●●●○	57.6	86.4	4	2	1632	28	27	CSTG-DPS, CSTG-APS, CSTG-SPS
108	CSTG-2BS163238-R\G\B\W	●●●○	86.4	129.6	6	2	1632	38	27	CSTG-DPS, CSTG-APS, CSTG-SPS
109	CSTG-2BS167718-R\G\B\W	●●●○	29.6	44.4	2	1	1677	18	27	CSTG-DPS, CSTG-APS, CSTG-SPS
110	CSTG-2BS167728-R\G\B\W	●●●○	59.2	88.8	4	2	1677	28	27	CSTG-DPS, CSTG-APS, CSTG-SPS
111	CSTG-2BS167738-R\G\B\W	●●●○	88.8	133.2	6	2	1677	38	27	CSTG-DPS, CSTG-APS, CSTG-SPS
112	CSTG-2BS172218-R\G\B\W	●●●○	30.4	45.6	2	1	1722	18	27	CSTG-DPS, CSTG-APS, CSTG-SPS
113	CSTG-2BS172228-R\G\B\W	●●●○	60.8	91.2	4	2	1722	28	27	CSTG-DPS, CSTG-APS, CSTG-SPS
114	CSTG-2BS172238-R\G\B\W	●●●○	91.2	136.8	6	2	1722	38	27	CSTG-DPS, CSTG-APS, CSTG-SPS
115	CSTG-2BS176718-R\G\B\W	●●●○	31.2	46.8	2	1	1767	18	27	CSTG-DPS, CSTG-APS, CSTG-SPS
116	CSTG-2BS176728-R\G\B\W	●●●○	62.4	93.6	4	2	1767	28	27	CSTG-DPS, CSTG-APS, CSTG-SPS
117	CSTG-2BS176738-R\G\B\W	●●●○	93.6	140.4	6	2	1767	38	27	CSTG-DPS, CSTG-APS, CSTG-SPS
118	CSTG-2BS181218-R\G\B\W	●●●○	32	48	2	1	1812	18	27	CSTG-DPS, CSTG-APS, CSTG-SPS
119	CSTG-2BS181228-R\G\B\W	●●●○	64	96	4	2	1812	28	27	CSTG-DPS, CSTG-APS, CSTG-SPS
120	CSTG-2BS181238-R\G\B\W	●●●○	96	144	6	2	1812	38	27	CSTG-DPS, CSTG-APS, CSTG-SPS
121	CSTG-2BS185718-R\G\B\W	●●●○	32.8	49.2	2	1	1857	18	27	CSTG-DPS, CSTG-APS, CSTG-SPS
122	CSTG-2BS185728-R\G\B\W	●●●○	65.6	98.4	4	2	1857	28	27	CSTG-DPS, CSTG-APS, CSTG-SPS
123	CSTG-2BS185738-R\G\B\W	●●●○	98.4	147.6	6	2	1857	38	27	CSTG-DPS, CSTG-APS, CSTG-SPS
124	CSTG-2BS190218-R\G\B\W	●●●○	33.6	50.4	2	1	1902	18	27	CSTG-DPS, CSTG-APS, CSTG-SPS
125	CSTG-2BS190228-R\G\B\W	●●●○	67.2	100.8	4	2	1902	28	27	CSTG-DPS, CSTG-APS, CSTG-SPS
126	CSTG-2BS190238-R\G\B\W	●●●○	100.8	151.2	6	2	1902	38	27	CSTG-DPS, CSTG-APS, CSTG-SPS

Product dimension drawing(mm)

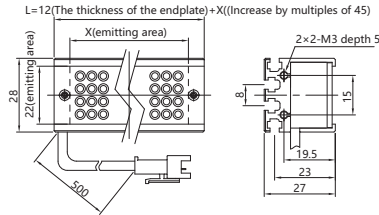
CSTG-2BS-18

1



CSTG-2BS-28

2



CSTG-2BS-38

3

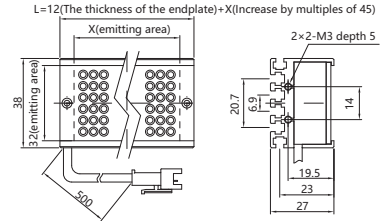
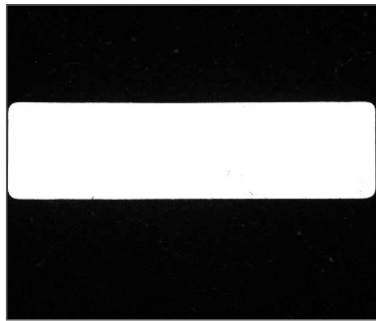


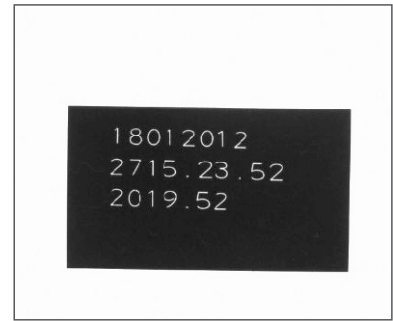
Image cases



CSTG-2BS23738-W
Character inspection for metal parts



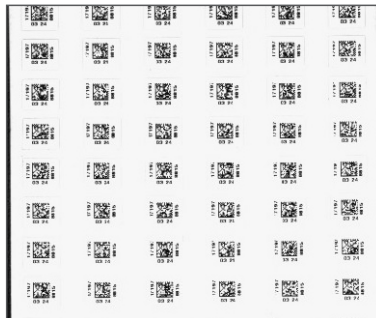
CSTG-2BS10238-W
Film positioning inspection



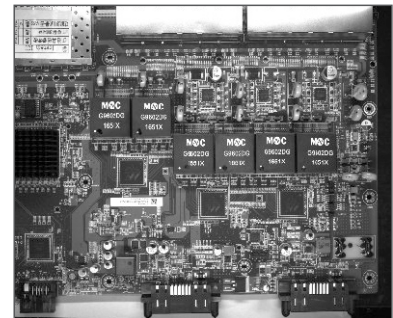
CSTG-2BS14738-R
Paper character inspection



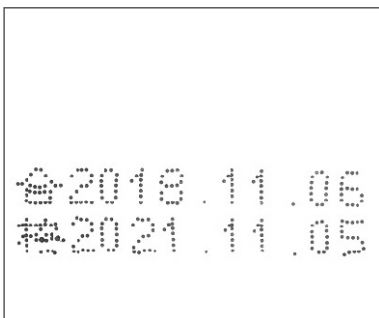
CSTG-2BS41738-W
Character detection



CSTG-2BS14738-W
QR code inspection



CSTG-2BS19238-W
Polarity inspection for



CSTG-2BS23738-B
Date code inspection

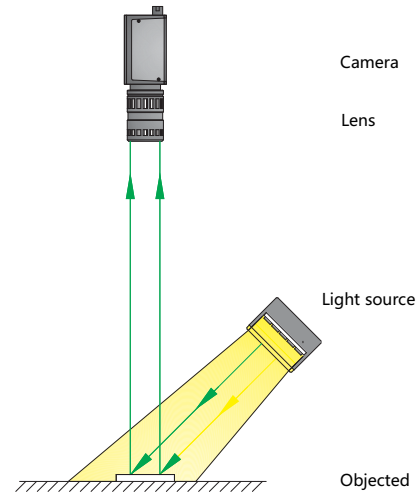
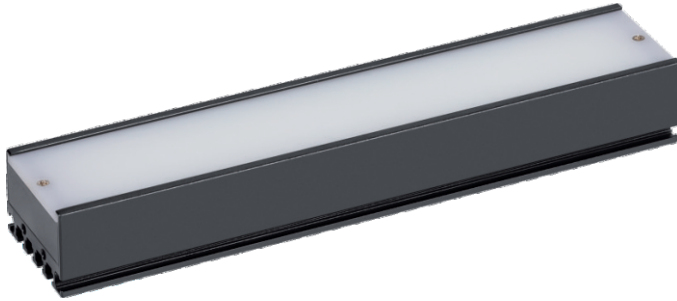


CSTG-2BS23738-W
Serial number identification



CSTG-2BS28238-R
Bread positioning

Bar light source 2BD series



Product feature

- Flexible size design.
- Custom color selection and combination.
- Patch lamp bead with large divergence angle.
- Use high uniformity diffuse plate, could be use as back light.

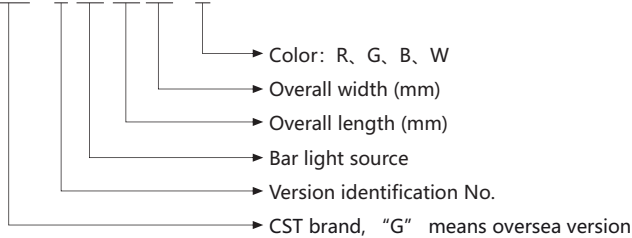
Application

- Wide field lighting preferred
- PCB board character inspection
- QR code inspection
- Positioning inspection for mobile phone screen
- Hardware surface defect inspection
- High angle uniform irradiation

CSTG No.

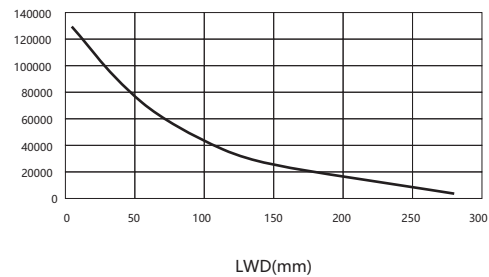
Bar light source (CST-2BD series)

CSTG - 2 BD 57 18 - R



Illuminance graph

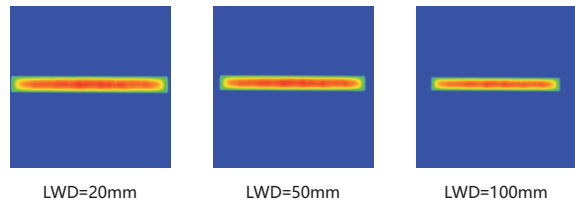
CSTG-2BD32738-W



Uniform chart of light source

CSTG#: CSTG-2BD32738-W

FOV: 360×360mm



Wave length/color temp	Red	620-630 nm	IR	850-940 nm
	Blue	465-475 nm	UV	365-405 nm
	White	6000-6500K	Green	520-530 nm
Storage environment	Temperature	-20-60°C	Humidity	20-85%RH(Non-condensation)
Using environment		0-40°C		
Option accessories	Extension cable, Diffuse plate			
Controller	CSTG-DPS Series, CSTG-APS Series, CSTG-SPS Series (The selected controller should match the power of the light source)			
Service life	When the environment at 25°C, the red color works continuously for 60000 hours with 50% illumination, the decrement at 50%			
	When the environment at 25°C, the white color works continuously for 30000 hours with 50% illumination, the decrement at 50%			
Quality assurance	CSTG products shipped out within 1 year, the fault not caused by personal reason, will provide free maintenance or replacement services			

Bar light source 2BD Series

Specification

Item	CSTG#	Color	Power(W)		lamp bead Rows	Light cable	Overall size(mm)			Recommended controller
			R	G/B/W			L	W	H	
1	CSTG-2BD5718-R\G\B\W	●●●○	0.5	0.5	1	1	57	18	27	CSTG-DPS, CSTG-APS, CSTG-SPS
2	CSTG-2BD5728-R\G\B\W	●●●○	0.9	1.3	3	1	57	28	27	CSTG-DPS, CSTG-APS, CSTG-SPS
3	CSTG-2BD5738-R\G\B\W	●●●○	1.3	1.7	5	1	57	38	27	CSTG-DPS, CSTG-APS, CSTG-SPS
4	CSTG-2BD10218-R\G\B\W	●●●○	1	1	1	1	102	18	27	CSTG-DPS, CSTG-APS, CSTG-SPS
5	CSTG-2BD10228-R\G\B\W	●●●○	1.8	2.6	3	1	102	28	27	CSTG-DPS, CSTG-APS, CSTG-SPS
6	CSTG-2BD10238-R\G\B\W	●●●○	2.6	3.4	5	1	102	38	27	CSTG-DPS, CSTG-APS, CSTG-SPS
7	CSTG-2BD14718-R\G\B\W	●●●○	1.5	1.5	1	1	147	18	27	CSTG-DPS, CSTG-APS, CSTG-SPS
8	CSTG-2BD14728-R\G\B\W	●●●○	2.7	3.9	3	1	147	28	27	CSTG-DPS, CSTG-APS, CSTG-SPS
9	CSTG-2BD14738-R\G\B\W	●●●○	3.9	5.1	5	1	147	38	27	CSTG-DPS, CSTG-APS, CSTG-SPS
10	CSTG-2BD19218-R\G\B\W	●●●○	2	2	1	1	192	18	27	CSTG-DPS, CSTG-APS, CSTG-SPS
11	CSTG-2BD19228-R\G\B\W	●●●○	3.6	5.2	3	1	192	28	27	CSTG-DPS, CSTG-APS, CSTG-SPS
12	CSTG-2BD19238-R\G\B\W	●●●○	5.2	6.8	5	1	192	38	27	CSTG-DPS, CSTG-APS, CSTG-SPS
13	CSTG-2BD23718-R\G\B\W	●●●○	2.5	2.5	1	1	237	18	27	CSTG-DPS, CSTG-APS, CSTG-SPS
14	CSTG-2BD23728-R\G\B\W	●●●○	4.5	6.5	3	1	237	28	27	CSTG-DPS, CSTG-APS, CSTG-SPS
15	CSTG-2BD23738-R\G\B\W	●●●○	6.5	8.5	5	1	237	38	27	CSTG-DPS, CSTG-APS, CSTG-SPS
16	CSTG-2BD28218-R\G\B\W	●●●○	3	3	1	1	282	18	27	CSTG-DPS, CSTG-APS, CSTG-SPS
17	CSTG-2BD28228-R\G\B\W	●●●○	5.4	7.8	3	1	282	28	27	CSTG-DPS, CSTG-APS, CSTG-SPS
18	CSTG-2BD28238-R\G\B\W	●●●○	7.8	10.2	5	1	282	38	27	CSTG-DPS, CSTG-APS, CSTG-SPS
19	CSTG-2BD32718-R\G\B\W	●●●○	3.5	3.5	1	1	327	18	27	CSTG-DPS, CSTG-APS, CSTG-SPS
20	CSTG-2BD32728-R\G\B\W	●●●○	6.3	9.1	3	1	327	28	27	CSTG-DPS, CSTG-APS, CSTG-SPS
21	CSTG-2BD32738-R\G\B\W	●●●○	9.1	11.9	5	1	327	38	27	CSTG-DPS, CSTG-APS, CSTG-SPS
22	CSTG-2BD37218-R\G\B\W	●●●○	4	4	1	1	372	18	27	CSTG-DPS, CSTG-APS, CSTG-SPS
23	CSTG-2BD37228-R\G\B\W	●●●○	7.2	10.4	3	1	372	28	27	CSTG-DPS, CSTG-APS, CSTG-SPS
24	CSTG-2BD37238-R\G\B\W	●●●○	10.4	13.6	5	1	372	38	27	CSTG-DPS, CSTG-APS, CSTG-SPS
25	CSTG-2BD41718-R\G\B\W	●●●○	4.5	4.5	1	1	417	18	27	CSTG-DPS, CSTG-APS, CSTG-SPS
26	CSTG-2BD41728-R\G\B\W	●●●○	8.1	11.7	3	1	417	28	27	CSTG-DPS, CSTG-APS, CSTG-SPS
27	CSTG-2BD41738-R\G\B\W	●●●○	11.7	15.3	5	1	417	38	27	CSTG-DPS, CSTG-APS, CSTG-SPS
28	CSTG-2BD46218-R\G\B\W	●●●○	5	5	1	1	462	18	27	CSTG-DPS, CSTG-APS, CSTG-SPS
29	CSTG-2BD46228-R\G\B\W	●●●○	9	13	3	1	462	28	27	CSTG-DPS, CSTG-APS, CSTG-SPS
30	CSTG-2BD46238-R\G\B\W	●●●○	13	17	5	1	462	38	27	CSTG-DPS, CSTG-APS, CSTG-SPS
31	CSTG-2BD50718-R\G\B\W	●●●○	5.5	5.5	1	1	507	18	27	CSTG-DPS, CSTG-APS, CSTG-SPS
32	CSTG-2BD50728-R\G\B\W	●●●○	9.9	14.3	3	1	507	28	27	CSTG-DPS, CSTG-APS, CSTG-SPS
33	CSTG-2BD50738-R\G\B\W	●●●○	14.3	18.7	5	1	507	38	27	CSTG-DPS, CSTG-APS, CSTG-SPS
34	CSTG-2BD55218-R\G\B\W	●●●○	6	6	1	1	552	18	27	CSTG-DPS, CSTG-APS, CSTG-SPS
35	CSTG-2BD55228-R\G\B\W	●●●○	10.8	15.6	3	1	552	28	27	CSTG-DPS, CSTG-APS, CSTG-SPS
36	CSTG-2BD55238-R\G\B\W	●●●○	15.6	20.4	5	1	552	38	27	CSTG-DPS, CSTG-APS, CSTG-SPS
37	CSTG-2BD59718-R\G\B\W	●●●○	6.5	6.5	1	1	597	18	27	CSTG-DPS, CSTG-APS, CSTG-SPS
38	CSTG-2BD59728-R\G\B\W	●●●○	11.7	16.9	3	1	597	28	27	CSTG-DPS, CSTG-APS, CSTG-SPS
39	CSTG-2BD59738-R\G\B\W	●●●○	16.9	22.1	5	1	597	38	27	CSTG-DPS, CSTG-APS, CSTG-SPS
40	CSTG-2BD64218-R\G\B\W	●●●○	7	7	1	1	642	18	27	CSTG-DPS, CSTG-APS, CSTG-SPS
41	CSTG-2BD64228-R\G\B\W	●●●○	12.6	18.2	3	1	642	28	27	CSTG-DPS, CSTG-APS, CSTG-SPS
42	CSTG-2BD64238-R\G\B\W	●●●○	18.2	23.8	5	1	642	38	27	CSTG-DPS, CSTG-APS, CSTG-SPS

Bar light source 2BD Series

Specification										
Item	CSTG#	Color	Power(W)		lamp bead Rows	Light cable	Overall size(mm)			Recommended controller
			R	G/B/W			L	W	H	
43	CSTG-2BD68718-R\G\B\W	●●●○	7.5	7.5	1	1	687	18	27	CSTG-DPS、CSTG-APS、CSTG-SPS
44	CSTG-2BD68728-R\G\B\W	●●●○	13.5	19.5	3	1	687	28	27	CSTG-DPS、CSTG-APS、CSTG-SPS
45	CSTG-2BD68738-R\G\B\W	●●●○	19.5	25.5	5	1	687	38	27	CSTG-DPS、CSTG-APS、CSTG-SPS
46	CSTG-2BD73218-R\G\B\W	●●●○	8	8	1	1	732	18	27	CSTG-DPS、CSTG-APS、CSTG-SPS
47	CSTG-2BD73228-R\G\B\W	●●●○	14.4	20.8	3	1	732	28	27	CSTG-DPS、CSTG-APS、CSTG-SPS
48	CSTG-2BD73238-R\G\B\W	●●●○	20.8	27.2	5	1	732	38	27	CSTG-DPS、CSTG-APS、CSTG-SPS
49	CSTG-2BD77718-R\G\B\W	●●●○	8.5	8.5	1	1	777	18	27	CSTG-DPS、CSTG-APS、CSTG-SPS
50	CSTG-2BD77728-R\G\B\W	●●●○	15.3	22.1	3	1	777	28	27	CSTG-DPS、CSTG-APS、CSTG-SPS
51	CSTG-2BD77738-R\G\B\W	●●●○	22.1	28.9	5	1	777	38	27	CSTG-DPS、CSTG-APS、CSTG-SPS
52	CSTG-2BD82218-R\G\B\W	●●●○	9	9	1	1	822	18	27	CSTG-DPS、CSTG-APS、CSTG-SPS
53	CSTG-2BD82228-R\G\B\W	●●●○	16.2	23.4	3	1	822	28	27	CSTG-DPS、CSTG-APS、CSTG-SPS
54	CSTG-2BD82238-R\G\B\W	●●●○	23.4	30.6	5	1	822	38	27	CSTG-DPS、CSTG-APS、CSTG-SPS
55	CSTG-2BD86718-R\G\B\W	●●●○	9.5	9.5	1	1	867	18	27	CSTG-DPS、CSTG-APS、CSTG-SPS
56	CSTG-2BD86728-R\G\B\W	●●●○	17.1	24.7	3	1	867	28	27	CSTG-DPS、CSTG-APS、CSTG-SPS
57	CSTG-2BD86738-R\G\B\W	●●●○	24.7	32.3	5	1	867	38	27	CSTG-DPS、CSTG-APS、CSTG-SPS
58	CSTG-2BD91218-R\G\B\W	●●●○	10	10	1	1	912	18	27	CSTG-DPS、CSTG-APS、CSTG-SPS
59	CSTG-2BD91228-R\G\B\W	●●●○	18	26	3	1	912	28	27	CSTG-DPS、CSTG-APS、CSTG-SPS
60	CSTG-2BD91238-R\G\B\W	●●●○	26	34	5	1	912	38	27	CSTG-DPS、CSTG-APS、CSTG-SPS
61	CSTG-2BD95718-R\G\B\W	●●●○	10.5	10.5	1	1	957	18	27	CSTG-DPS、CSTG-APS、CSTG-SPS
62	CSTG-2BD95728-R\G\B\W	●●●○	18.9	27.3	3	1	957	28	27	CSTG-DPS、CSTG-APS、CSTG-SPS
63	CSTG-2BD95738-R\G\B\W	●●●○	27.3	35.7	5	1	957	38	27	CSTG-DPS、CSTG-APS、CSTG-SPS
64	CSTG-2BD100218-R\G\B\W	●●●○	11	11	1	1	1002	18	27	CSTG-DPS、CSTG-APS、CSTG-SPS
65	CSTG-2BD100228-R\G\B\W	●●●○	19.8	28.6	3	1	1002	28	27	CSTG-DPS、CSTG-APS、CSTG-SPS
66	CSTG-2BD100238-R\G\B\W	●●●○	28.6	37.4	5	1	1002	38	27	CSTG-DPS、CSTG-APS、CSTG-SPS
67	CSTG-2BD104718-R\G\B\W	●●●○	11.5	11.5	1	1	1047	18	27	CSTG-DPS、CSTG-APS、CSTG-SPS
68	CSTG-2BD104728-R\G\B\W	●●●○	20.7	29.9	3	1	1047	28	27	CSTG-DPS、CSTG-APS、CSTG-SPS
69	CSTG-2BD104738-R\G\B\W	●●●○	29.9	39.1	5	1	1047	38	27	CSTG-DPS、CSTG-APS、CSTG-SPS
70	CSTG-2BD109218-R\G\B\W	●●●○	12	12	1	1	1092	18	27	CSTG-DPS、CSTG-APS、CSTG-SPS
71	CSTG-2BD109228-R\G\B\W	●●●○	21.6	31.2	3	1	1092	28	27	CSTG-DPS、CSTG-APS、CSTG-SPS
72	CSTG-2BD109238-R\G\B\W	●●●○	31.2	40.8	5	1	1092	38	27	CSTG-DPS、CSTG-APS、CSTG-SPS
73	CSTG-2BD113718-R\G\B\W	●●●○	12.5	12.5	1	1	1137	18	27	CSTG-DPS、CSTG-APS、CSTG-SPS
74	CSTG-2BD113728-R\G\B\W	●●●○	22.5	32.5	3	1	1137	28	27	CSTG-DPS、CSTG-APS、CSTG-SPS
75	CSTG-2BD113738-R\G\B\W	●●●○	32.5	42.5	5	1	1137	38	27	CSTG-DPS、CSTG-APS、CSTG-SPS
76	CSTG-2BD118218-R\G\B\W	●●●○	13	13	1	1	1182	18	27	CSTG-DPS、CSTG-APS、CSTG-SPS
77	CSTG-2BD118228-R\G\B\W	●●●○	23.4	33.8	3	1	1182	28	27	CSTG-DPS、CSTG-APS、CSTG-SPS
78	CSTG-2BD118238-R\G\B\W	●●●○	33.8	44.2	5	1	1182	38	27	CSTG-DPS、CSTG-APS、CSTG-SPS
79	CSTG-2BD122718-R\G\B\W	●●●○	13.5	13.5	1	1	1227	18	27	CSTG-DPS、CSTG-APS、CSTG-SPS
80	CSTG-2BD122728-R\G\B\W	●●●○	24.3	35.1	3	1	1227	28	27	CSTG-DPS、CSTG-APS、CSTG-SPS
81	CSTG-2BD122738-R\G\B\W	●●●○	35.1	45.9	5	1	1227	38	27	CSTG-DPS、CSTG-APS、CSTG-SPS
82	CSTG-2BD127218-R\G\B\W	●●●○	14	14	1	1	1272	18	27	CSTG-DPS、CSTG-APS、CSTG-SPS
83	CSTG-2BD127228-R\G\B\W	●●●○	25.2	36.4	3	1	1272	28	27	CSTG-DPS、CSTG-APS、CSTG-SPS
84	CSTG-2BD127238-R\G\B\W	●●●○	36.4	47.6	5	1	1272	38	27	CSTG-DPS、CSTG-APS、CSTG-SPS

Specification

Item	CSTG#	Color	Power(W)		lamp bead Rows	Light cable	Overall size(mm)			Recommended controller
			R	G/B/W			L	W	H	
85	CSTG-2BD131718-R\G\B\W	●●●○	14.5	14.5	1	1	1317	18	27	CSTG-DPS、CSTG-APS、CSTG-SPS
86	CSTG-2BD131728-R\G\B\W	●●●○	26.1	37.7	3	1	1317	28	27	CSTG-DPS、CSTG-APS、CSTG-SPS
87	CSTG-2BD131738-R\G\B\W	●●●○	37.7	49.3	5	1	1317	38	27	CSTG-DPS、CSTG-APS、CSTG-SPS
88	CSTG-2BD136218-R\G\B\W	●●●○	15	15	1	1	1362	18	27	CSTG-DPS、CSTG-APS、CSTG-SPS
89	CSTG-2BD136228-R\G\B\W	●●●○	27	39	3	1	1362	28	27	CSTG-DPS、CSTG-APS、CSTG-SPS
90	CSTG-2BD136238-R\G\B\W	●●●○	39	51	5	1	1362	38	27	CSTG-DPS、CSTG-APS、CSTG-SPS
91	CSTG-2BD140718-R\G\B\W	●●●○	15.5	15.5	1	1	1407	18	27	CSTG-DPS、CSTG-APS、CSTG-SPS
92	CSTG-2BD140728-R\G\B\W	●●●○	27.9	40.3	3	1	1407	28	27	CSTG-DPS、CSTG-APS、CSTG-SPS
93	CSTG-2BD140738-R\G\B\W	●●●○	40.3	52.7	5	1	1407	38	27	CSTG-DPS、CSTG-APS、CSTG-SPS
94	CSTG-2BD145218-R\G\B\W	●●●○	16	16	1	1	1452	18	27	CSTG-DPS、CSTG-APS、CSTG-SPS
95	CSTG-2BD145228-R\G\B\W	●●●○	28.8	41.6	3	1	1452	28	27	CSTG-DPS、CSTG-APS、CSTG-SPS
96	CSTG-2BD145238-R\G\B\W	●●●○	41.6	54.5	5	1	1452	38	27	CSTG-DPS、CSTG-APS、CSTG-SPS
97	CSTG-2BD149718-R\G\B\W	●●●○	16.5	16.5	1	1	1497	18	27	CSTG-DPS、CSTG-APS、CSTG-SPS
98	CSTG-2BD149728-R\G\B\W	●●●○	29.7	42.9	3	1	1497	28	27	CSTG-DPS、CSTG-APS、CSTG-SPS
99	CSTG-2BD149738-R\G\B\W	●●●○	42.9	56.1	5	1	1497	38	27	CSTG-DPS、CSTG-APS、CSTG-SPS
100	CSTG-2BD154218-R\G\B\W	●●●○	17	17	1	1	1542	18	27	CSTG-DPS、CSTG-APS、CSTG-SPS
101	CSTG-2BD154228-R\G\B\W	●●●○	30.6	44.2	3	1	1542	28	27	CSTG-DPS、CSTG-APS、CSTG-SPS
102	CSTG-2BD154238-R\G\B\W	●●●○	44.2	57.8	5	1	1542	38	27	CSTG-DPS、CSTG-APS、CSTG-SPS
103	CSTG-2BD158718-R\G\B\W	●●●○	17.5	17.5	1	1	1587	18	27	CSTG-DPS、CSTG-APS、CSTG-SPS
104	CSTG-2BD158728-R\G\B\W	●●●○	31.5	45.5	3	1	1587	28	27	CSTG-DPS、CSTG-APS、CSTG-SPS
105	CSTG-2BD158738-R\G\B\W	●●●○	45.5	59.5	5	1	1587	38	27	CSTG-DPS、CSTG-APS、CSTG-SPS
106	CSTG-2BD163218-R\G\B\W	●●●○	18	18	1	1	1632	18	27	CSTG-DPS、CSTG-APS、CSTG-SPS
107	CSTG-2BD163228-R\G\B\W	●●●○	32.4	46.8	3	1	1632	28	27	CSTG-DPS、CSTG-APS、CSTG-SPS
108	CSTG-2BD163238-R\G\B\W	●●●○	46.8	61.2	5	1	1632	38	27	CSTG-DPS、CSTG-APS、CSTG-SPS
109	CSTG-2BD167718-R\G\B\W	●●●○	18.5	18.5	1	1	1677	18	27	CSTG-DPS、CSTG-APS、CSTG-SPS
110	CSTG-2BD167728-R\G\B\W	●●●○	33.3	48.1	3	1	1677	28	27	CSTG-DPS、CSTG-APS、CSTG-SPS
111	CSTG-2BD167738-R\G\B\W	●●●○	48.1	62.9	5	1	1677	38	27	CSTG-DPS、CSTG-APS、CSTG-SPS
112	CSTG-2BD172218-R\G\B\W	●●●○	19	19	1	1	1722	18	27	CSTG-DPS、CSTG-APS、CSTG-SPS
113	CSTG-2BD172228-R\G\B\W	●●●○	34.2	49.4	3	1	1722	28	27	CSTG-DPS、CSTG-APS、CSTG-SPS
114	CSTG-2BD172238-R\G\B\W	●●●○	49.4	64.6	5	1	1722	38	27	CSTG-DPS、CSTG-APS、CSTG-SPS
115	CSTG-2BD176718-R\G\B\W	●●●○	19.5	19.5	1	1	1767	18	27	CSTG-DPS、CSTG-APS、CSTG-SPS
116	CSTG-2BD176728-R\G\B\W	●●●○	35.1	50.7	3	1	1767	28	27	CSTG-DPS、CSTG-APS、CSTG-SPS
117	CSTG-2BD176738-R\G\B\W	●●●○	50.7	66.3	5	1	1767	38	27	CSTG-DPS、CSTG-APS、CSTG-SPS
118	CSTG-2BD181218-R\G\B\W	●●●○	20	20	1	1	1812	18	27	CSTG-DPS、CSTG-APS、CSTG-SPS
119	CSTG-2BD181228-R\G\B\W	●●●○	36	52	3	1	1812	28	27	CSTG-DPS、CSTG-APS、CSTG-SPS
120	CSTG-2BD181238-R\G\B\W	●●●○	52	68	5	1	1812	38	27	CSTG-DPS、CSTG-APS、CSTG-SPS
121	CSTG-2BD185718-R\G\B\W	●●●○	20.5	20.5	1	1	1857	18	27	CSTG-DPS、CSTG-APS、CSTG-SPS
122	CSTG-2BD185728-R\G\B\W	●●●○	36.9	53.3	3	1	1857	28	27	CSTG-DPS、CSTG-APS、CSTG-SPS
123	CSTG-2BD185738-R\G\B\W	●●●○	53.3	69.7	5	1	1857	38	27	CSTG-DPS、CSTG-APS、CSTG-SPS
124	CSTG-2BD190218-R\G\B\W	●●●○	21	21	1	1	1902	18	27	CSTG-DPS、CSTG-APS、CSTG-SPS
125	CSTG-2BD190228-R\G\B\W	●●●○	37.8	54.6	3	1	1902	28	27	CSTG-DPS、CSTG-APS、CSTG-SPS
126	CSTG-2BD190238-R\G\B\W	●●●○	54.6	71.4	5	1	1902	38	27	CSTG-DPS、CSTG-APS、CSTG-SPS

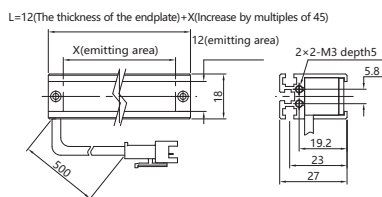
Bar light source 2BD Series

Specification

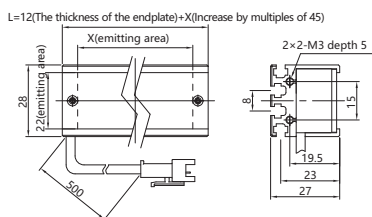
Item	CSTG#	Color	Power(W)		lamp bead Rows	Light cable	Overall size(mm)			Recommended controller
			R	G/B/W			L	W	H	
127	CSTG-2BD194718-R\G\B\W	●●●○	21.5	21.5	1	1	1947	18	27	CSTG-DPS、CSTG-APS、CSTG-SPS
128	CSTG-2BD194728-R\G\B\W	●●●○	38.7	55.9	3	1	1947	28	27	CSTG-DPS、CSTG-APS、CSTG-SPS
129	CSTG-2BD194738-R\G\B\W	●●●○	55.9	73.1	5	1	1947	38	27	CSTG-DPS、CSTG-APS、CSTG-SPS
130	CSTG-2BD199218-R\G\B\W	●●●○	22	22	1	1	1992	18	27	CSTG-DPS、CSTG-APS、CSTG-SPS
131	CSTG-2BD199228-R\G\B\W	●●●○	39.6	57.2	3	1	1992	28	27	CSTG-DPS、CSTG-APS、CSTG-SPS
132	CSTG-2BD199238-R\G\B\W	●●●○	57.2	74.8	5	1	1992	38	27	CSTG-DPS、CSTG-APS、CSTG-SPS
133	CSTG-2BD203718-R\G\B\W	●●●○	22.5	22.5	1	1	2037	18	27	CSTG-DPS、CSTG-APS、CSTG-SPS
134	CSTG-2BD203728-R\G\B\W	●●●○	40.5	58.5	3	1	2037	28	27	CSTG-DPS、CSTG-APS、CSTG-SPS
135	CSTG-2BD203738-R\G\B\W	●●●○	58.5	76.5	5	2	2037	38	27	CSTG-DPS、CSTG-APS、CSTG-SPS
136	CSTG-2BD208218-R\G\B\W	●●●○	23	23	1	1	2082	18	27	CSTG-DPS、CSTG-APS、CSTG-SPS
137	CSTG-2BD208228-R\G\B\W	●●●○	41.4	59.8	3	1	2082	28	27	CSTG-DPS、CSTG-APS、CSTG-SPS
138	CSTG-2BD208238-R\G\B\W	●●●○	59.8	78.2	5	2	2082	38	27	CSTG-DPS、CSTG-APS、CSTG-SPS
139	CSTG-2BD212718-R\G\B\W	●●●○	23.5	23.5	1	1	2127	18	27	CSTG-DPS、CSTG-APS、CSTG-SPS
140	CSTG-2BD212728-R\G\B\W	●●●○	42.3	61.1	3	1	2127	28	27	CSTG-DPS、CSTG-APS、CSTG-SPS
141	CSTG-2BD212738-R\G\B\W	●●●○	61.1	79.9	5	2	2127	38	27	CSTG-DPS、CSTG-APS、CSTG-SPS
142	CSTG-2BD217218-R\G\B\W	●●●○	24	24	1	1	2172	18	27	CSTG-DPS、CSTG-APS、CSTG-SPS
143	CSTG-2BD217228-R\G\B\W	●●●○	43.2	62.4	3	1	2172	28	27	CSTG-DPS、CSTG-APS、CSTG-SPS
144	CSTG-2BD217238-R\G\B\W	●●●○	62.4	81.6	5	2	2172	38	27	CSTG-DPS、CSTG-APS、CSTG-SPS
145	CSTG-2BD221718-R\G\B\W	●●●○	24.5	24.5	1	1	2217	18	27	CSTG-DPS、CSTG-APS、CSTG-SPS
146	CSTG-2BD221728-R\G\B\W	●●●○	44.1	63.7	3	1	2217	28	27	CSTG-DPS、CSTG-APS、CSTG-SPS
147	CSTG-2BD221738-R\G\B\W	●●●○	63.7	83.3	5	2	2217	38	27	CSTG-DPS、CSTG-APS、CSTG-SPS
148	CSTG-2BD226218-R\G\B\W	●●●○	25	25	1	1	2262	18	27	CSTG-DPS、CSTG-APS、CSTG-SPS
149	CSTG-2BD226228-R\G\B\W	●●●○	45	65	3	1	2262	28	27	CSTG-DPS、CSTG-APS、CSTG-SPS
150	CSTG-2BD226238-R\G\B\W	●●●○	65	85	5	2	2262	38	27	CSTG-DPS、CSTG-APS、CSTG-SPS
151	CSTG-2BD230718-R\G\B\W	●●●○	25.5	25.5	1	1	2307	18	27	CSTG-DPS、CSTG-APS、CSTG-SPS
152	CSTG-2BD230728-R\G\B\W	●●●○	45.6	66.3	3	1	2307	28	27	CSTG-DPS、CSTG-APS、CSTG-SPS
153	CSTG-2BD230738-R\G\B\W	●●●○	66.3	86.7	5	2	2307	38	27	CSTG-DPS、CSTG-APS、CSTG-SPS
154	CSTG-2BD235218-R\G\B\W	●●●○	26	26	1	1	2352	18	27	CSTG-DPS、CSTG-APS、CSTG-SPS
155	CSTG-2BD235228-R\G\B\W	●●●○	46.8	67.6	3	1	2352	28	27	CSTG-DPS、CSTG-APS、CSTG-SPS
156	CSTG-2BD235238-R\G\B\W	●●●○	67.6	88.4	5	2	2352	38	27	CSTG-DPS、CSTG-APS、CSTG-SPS
157	CSTG-2BD239718-R\G\B\W	●●●○	26.5	26.5	1	1	2397	18	27	CSTG-DPS、CSTG-APS、CSTG-SPS
158	CSTG-2BD239728-R\G\B\W	●●●○	47.7	68.9	3	1	2397	28	27	CSTG-DPS、CSTG-APS、CSTG-SPS
159	CSTG-2BD239738-R\G\B\W	●●●○	68.9	90.1	5	2	2397	38	27	CSTG-DPS、CSTG-APS、CSTG-SPS
160	CSTG-2BD244218-R\G\B\W	●●●○	27	27	1	1	2442	18	27	CSTG-DPS、CSTG-APS、CSTG-SPS
161	CSTG-2BD244228-R\G\B\W	●●●○	48.6	70.2	3	1	2442	28	27	CSTG-DPS、CSTG-APS、CSTG-SPS
162	CSTG-2BD244238-R\G\B\W	●●●○	70.2	91.8	5	2	2442	38	27	CSTG-DPS、CSTG-APS、CSTG-SPS
163	CSTG-2BD248718-R\G\B\W	●●●○	27.5	27.5	1	1	2487	18	27	CSTG-DPS、CSTG-APS、CSTG-SPS
164	CSTG-2BD248728-R\G\B\W	●●●○	49.5	71.5	3	1	2487	28	27	CSTG-DPS、CSTG-APS、CSTG-SPS
165	CSTG-2BD248738-R\G\B\W	●●●○	71.5	93.5	5	2	2487	38	27	CSTG-DPS、CSTG-APS、CSTG-SPS

Product dimension drawing(mm)

CSTG-2BD-18 1



CSTG-2BD-28 2



CSTG-2BD-38 3

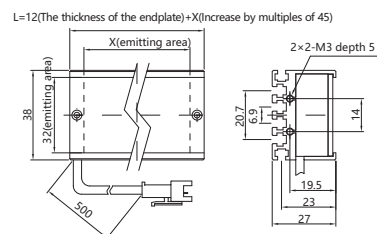
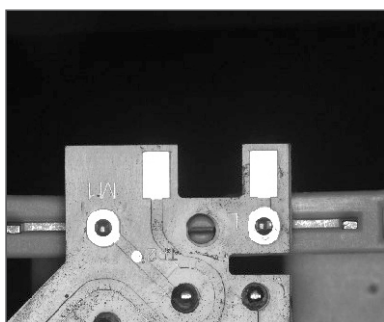
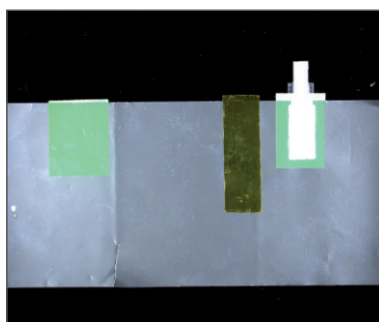


Image cases



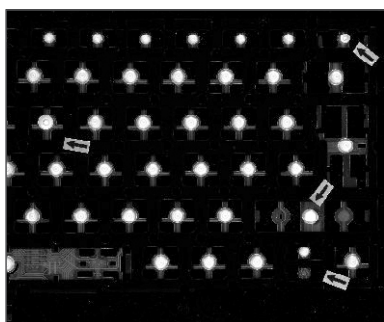
CSTG-2BD14738-W
Solder joint inspection for PCB board



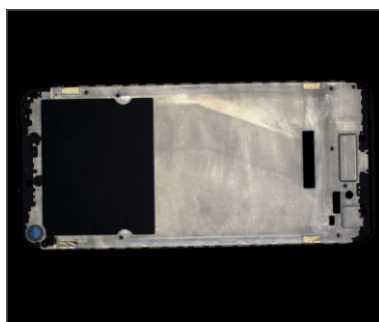
CSTG-2BD14738-W
Film inspection for lithium battery



CSTG-2BD14738-W
character detection



CSTG-2BD23738-B
Computer glue key front and back side inspection



CSTG-2BD23738-W
Positioning inspection for cell phone



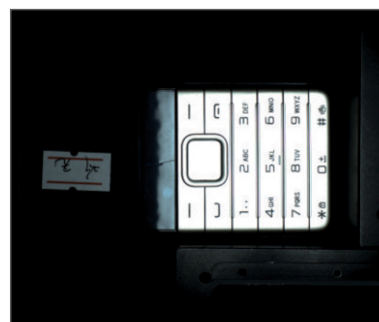
CSTG-2BD23738-W
Characters reading



CSTG-2BD10238-W
E-cigarette defect inspection

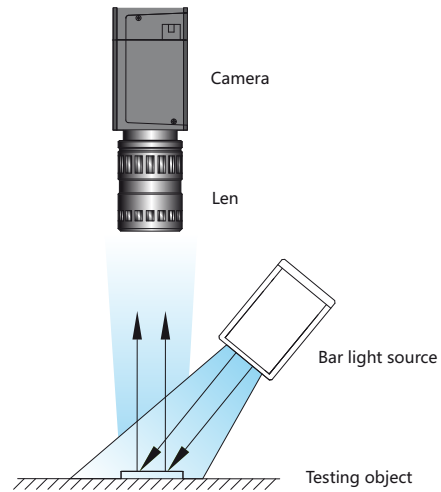


CSTG-2BD14738-W
Character inspection for auto parts label



CSTG-2BD10238-W
Character inspection for mobile phone

Bar light source 2HBS Series



Product feature

- The brightness is three times more than standard bar lights
- Adapt the high-power LED to realize the lighting over the long distance

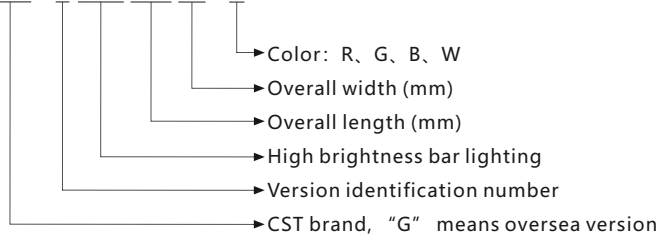
Application

- Suitable for all applications of bar light
- Various character recognition
- Various appearance inspection
- Various damage and defect inspection
- QR codes, one-dimension code bar code reading
- Part inspection on substrates
- Skylight feature positioning
- Canned fish sealing side inspection

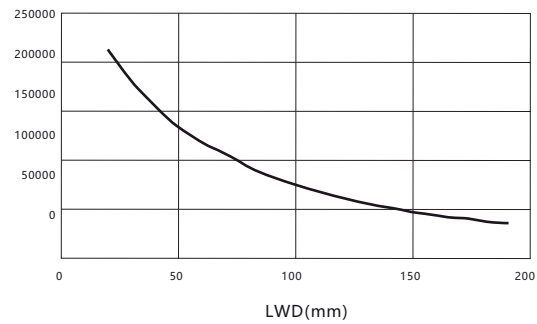
CSTG No.

High brightness bar light source(CST-HBS series)

CSTG - 2 HBS 300 26 - W



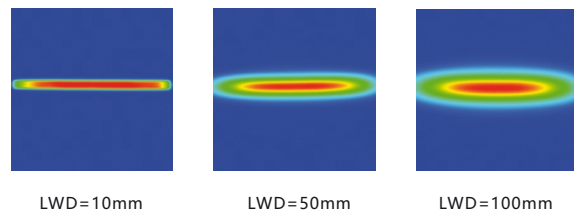
Illuminance graph CSTG-2HBS30016-W



Uniform chart of light source

CSTG-2HBS30026-W

FOV: 320×320mm



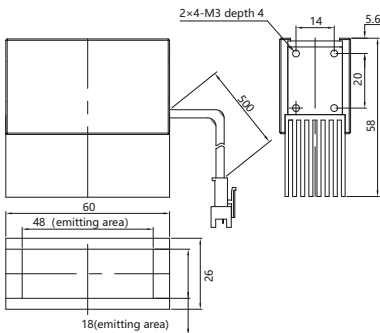
Wave length/color temp	Red	620-630 nm	IR	850-940 nm
	Blue	465-475 nm	UV	365-405 nm
	White	6000-6500K	Green	520-530 nm
Storage environment	Temperature	-20-60°C	Humidity	20-85%RH(Non-condensation)
Using environment		0-40°C		
Option accessories	Extension cable, Diffuse plate			
Controller	CSTG-DPS Series, CSTG-APS Series, CSTG-SPS Series (The selected controller should match the power of the light source)			
Service life	When the environment at 25°C, the red color works continuously for 60000 hours with 50% illumination,the decrement at 50%			
	When the environment at 25°C, the white color works continuously for 30000 hours with 50% illumination,the decrement at 50%			
Quality assurance	CSTG products shipped out within 1 year, the fault not caused by personal reason, will provide free maintenance or replacement services			

Specification

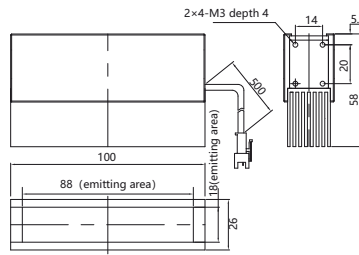
Item	CSTG#	Color	Power(W)		lamp bead Rows	Overall size(mm)			Recommended controller
			R	G/B/W		L	W	H	
1	CSTG-2HBS6026-R\G\B\W	● ● ● ●	5.6	5.6	1	60	26	58	CSTG-DPS、CSTG-APS、CSTG-SPS
2	CSTG-2HBS10026-R\G\B\W	● ● ● ●	12	12	1	100	26	58	CSTG-DPS、CSTG-APS、CSTG-SPS
3	CSTG-2HBS20026-R\G\B\W	● ● ● ●	17	23	1	200	26	58	CSTG-DPS、CSTG-APS、CSTG-SPS
4	CSTG-2HBS30026-R\G\B\W	● ● ● ●	28	40	1	300	26	58	CSTG-DPS、CSTG-APS、CSTG-SPS
5	CSTG-2HBS40026-R\G\B\W	● ● ● ●	34	45	1	400	26	58	CSTG-DPS、CSTG-APS、CSTG-SPS

Product dimension drawing(mm)

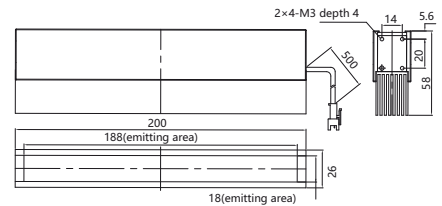
CSTG-2HBS6026 1



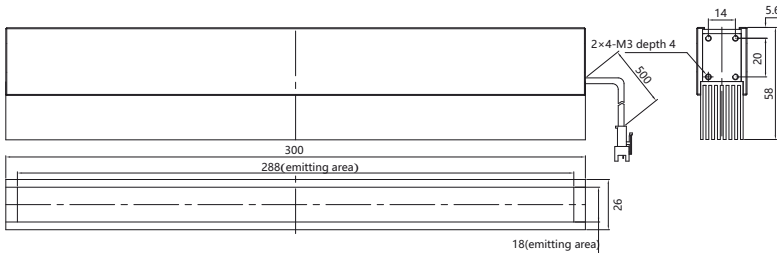
CSTG-2HBS10026 2



CSTG-2HBS20026 3



CSTG-2HBS30026 4



CSTG-2HBS40026 5

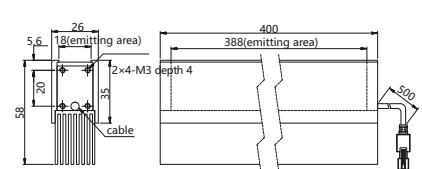
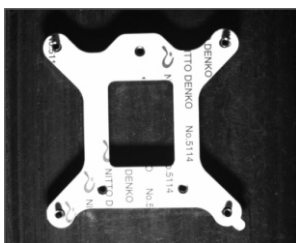
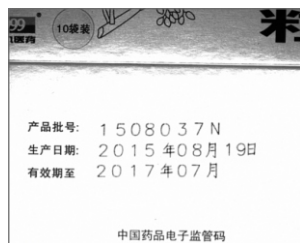


Image cases



CSTG-2HBS10026-W
Hardware inspection



CSTG-2HBS10026-W
Character inspection

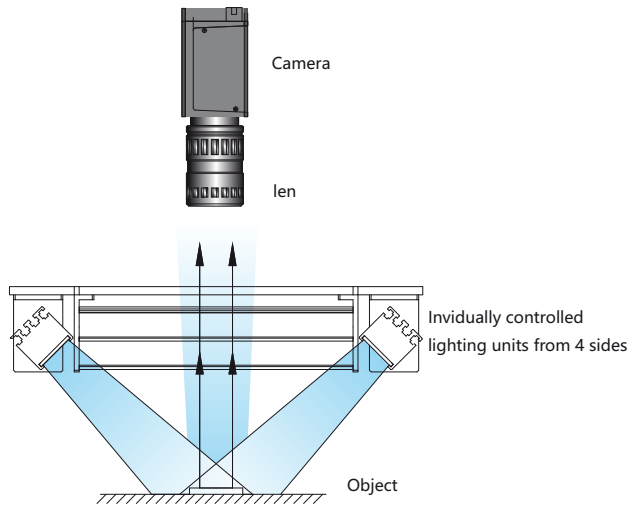


CSTG-2HBS20026-B
Internal defect inspection
for mobile phone screen



CSTG-2HBS40026-W
Front and back inspection
for PCB

Bar light source Ros series



Product feature

- Good uniformity and large illumination area
- Individually controlled lighting units from 4 sides, and freely adjustable angle from 0-90 degree.
- Best choice for large area illumination and adapt to many occasions.

Application

- Soldering inspection
- The exterior and cracks of the ceramic-mounted objects
- Electronic component inspection
- Mark positioning
- Packaging bar code inspection
- Scratch inspection of touch screen
- Keyboard character recognition
- Appearance inspection of solar energy battery plate
- Mobile phone shell LOGO inspection

CSTG No.

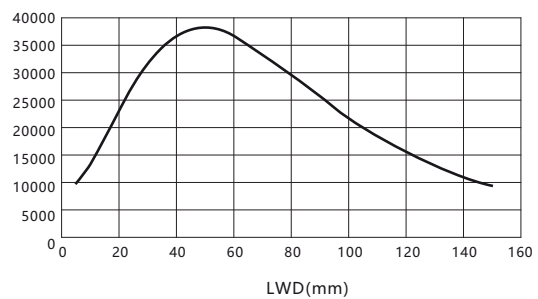
Four side adjustable light sources(CSTG-ROS Series)

CSTG - ROS 154 - R

- Color: R、G、B、W
- Overall size(mm)*
* square side
rectangle L - W
- Four side adjustable light sources
- CST brand, "G" means oversea version

Illuminance graph

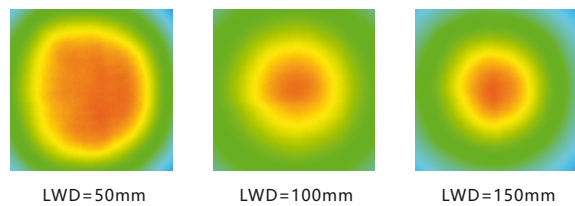
CSTG-ROS154-B



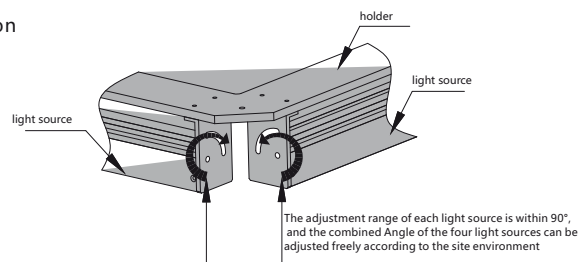
Uniform chart of light source

CSTG-ROS154-B

FOV: 80×80mm



ROS angle adjustment effect picture



Bar combined light source ROS Series

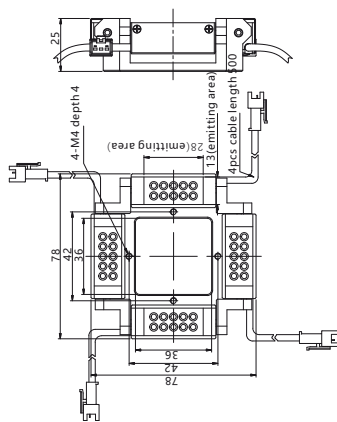
Specification

Item	CSTG#	Color	Power(W)		Overall size(mm)			Recommended controller
			R	G/B/W	L	W	H	
1	CSTG-ROS78-R/G/B/W	● ● ● ○	1.6	3.2	78	78	25	CSTG-DPS、CSTG-APS、CSTG-SPS
2	CSTG-ROS112-R/G/B/W	● ● ● ○	4.9	8	112	112	36	CSTG-DPS、CSTG-APS、CSTG-SPS
3	CSTG-ROS154-R/G/B/W	● ● ● ○	13	26	154	154	42	CSTG-DPS、CSTG-APS、CSTG-SPS
4	CSTG-ROS322232-R/G/B/W	● ● ● ○	26	39	322	232	52	CSTG-DPS、CSTG-APS、CSTG-SPS

Product dimension drawing(mm)

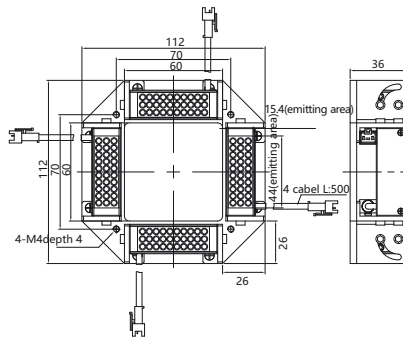
CSTG-ROS78

1



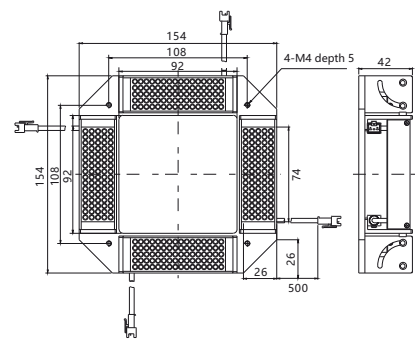
CSTG-ROS112

2



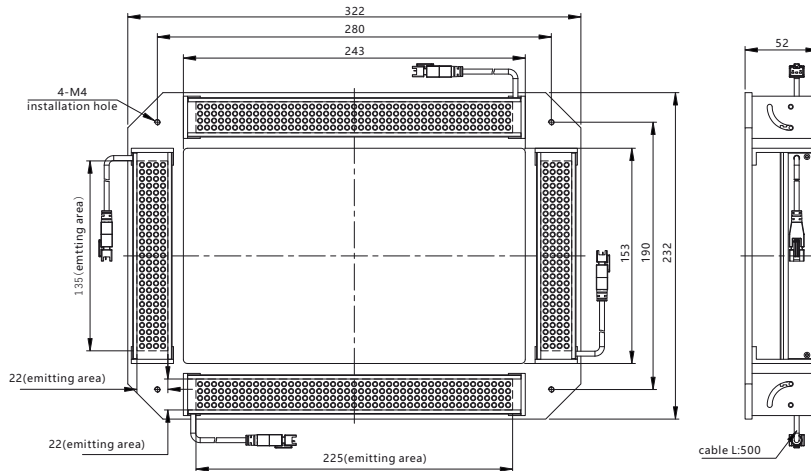
CSTG-ROS154

3



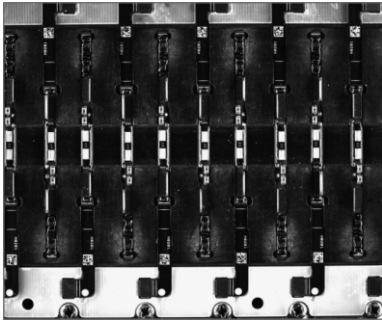
CSTG-ROS322232

4



Bar light source Ros series

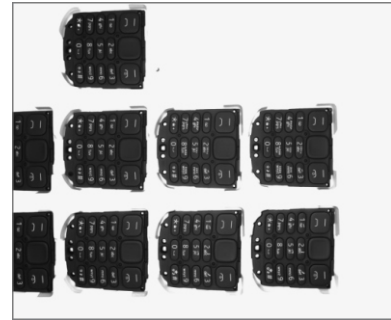
Image cases



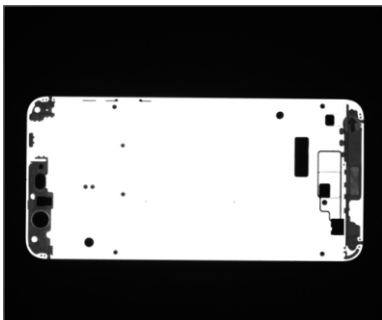
CSTG-ROS154-W
FPC QR code inspection



CSTG-ROS154-W
Character defect inspection



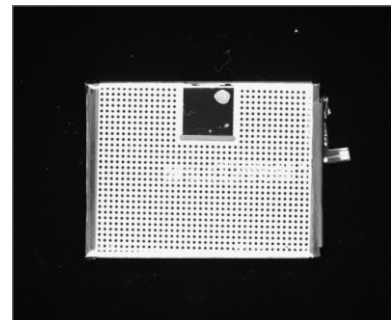
CSTG-ROS154-W
Keyboard character inspection



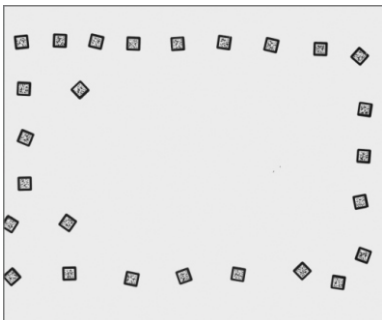
CSTG-ROS154-W
Mobile phone contour positioning



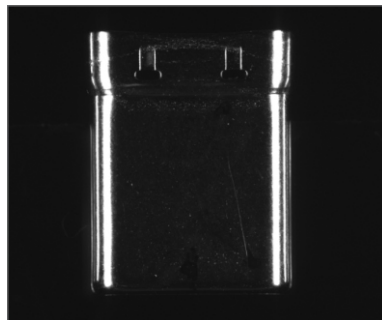
CSTG-ROS154-W
Positioning of cell phone metal plate laser line



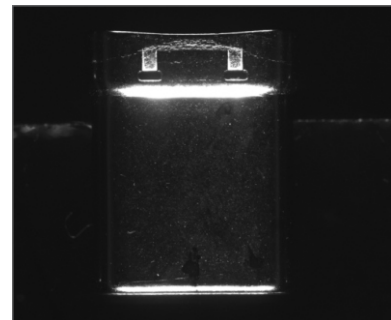
CSTG-ROS154-W
Inspection the black spot on JSD Battery surface



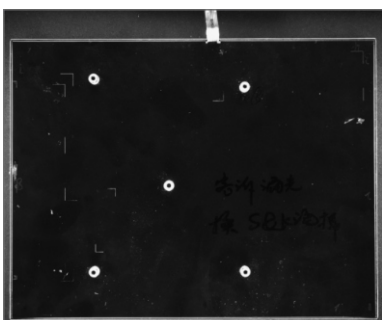
CSTG-ROS322232-W
Inspection QR code in the mobile phone industry



CSTG-ROS78-W
Surface scratch Inspection



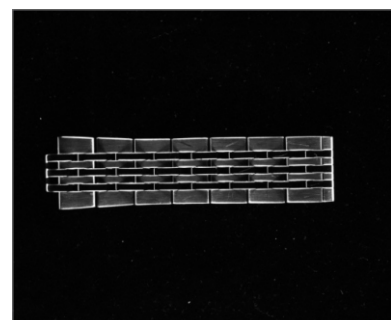
CSTG-ROS78-W
Inspection USB3.1



CSTG-ROS322232-W
Screen screw hole marking line detection

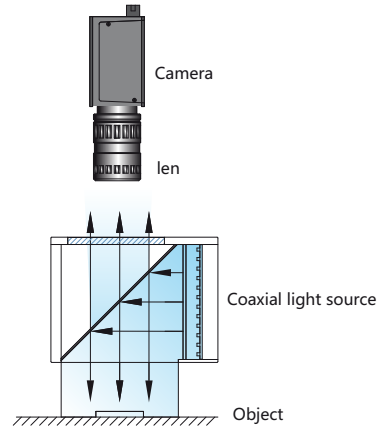
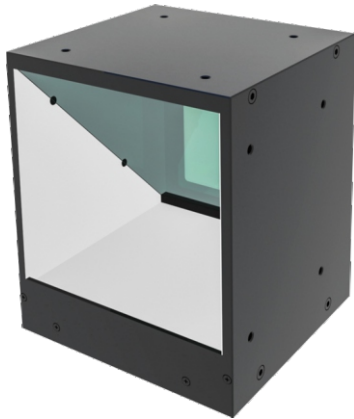


CSTG-ROS154-W
Watch chain with scratch detection



CSTG-ROS154-W
Inspection the scratch on watch chain

Coaxial light source COS Series



Product feature

- High uniformity, clear imaging
- High Effective heat dissipation, prolong life-span
- Reduce the light lost by the spectroscop with special coating
- Highlight the unevenness on object surface, eliminate the reflection

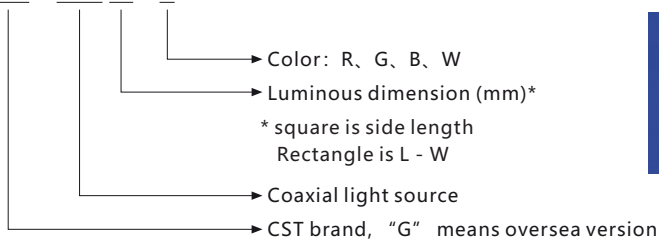
Application

- Scratches on high-reflective surface, bubbles and other defects inspection
- Inspection of breakage on chip parts and silicon wafers
- LED surface defect inspection
- Mark point positioning
- QR code recognition
- Dial angle measurement
- PCB inspection
- LED lampholder positioning
- Laser marking character inspection

CSTG No.

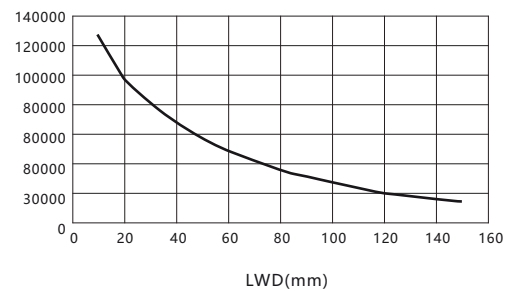
High brightness coaxial light source (CSTG-HBS Series)

CSTG - COS 80 - R



Illuminance graph

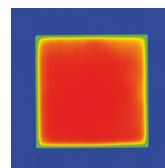
CSTG-COS80-W



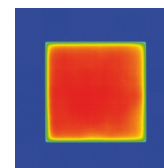
Uniform chart of light source

CSTG-COS80-W

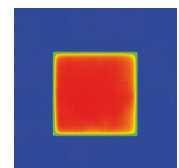
FOV: 120×120mm



LWD=10mm



LWD=50mm



LWD=100mm

Wave length/color temp	Red	620-630 nm	IR	850-940 nm
	Blue	465-475 nm	UV	365-405 nm
	White	6000-6500K	Green	520-530 nm
Storage environment	Temperature	-20-60°C	Humidity	20-85%RH(Non-condensation)
Using environment		0-40°C		
Option accessories	Extension cable			
Controller	CSTG-APS2 series, CSTG-DPS2 series, SPS series (The selected controller should match the power of the light source)			
Service life	When the environment at 25°C, the red color works continuously for 60000 hours with 50% illumination, the decrement at 50%			
	When the environment at 25°C, the white color works continuously for 30000 hours with 50% illumination, the decrement at 50%			
Quality assurance	CSTG products shipped out within 1 year, the fault not caused by personal reason, will provide free maintenance or replacement services			

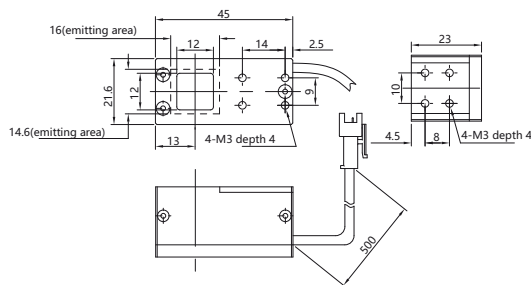
Coaxial light source COS Series

Specification

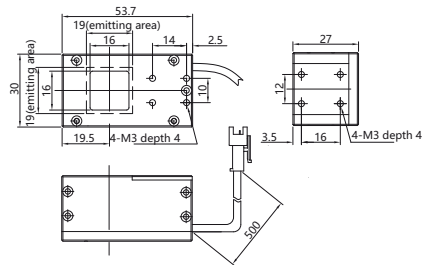
Item	CSTG No.	Color	Power(W)		Luminous size(mm)	Overall size(mm)			Recommended controller
			R	G/B/W		L	W	H	
1	CSTG-COS14-R/G/B/W	●●●○	0.9	0.9	16×14.6	45	21.6	23	CSTG-DPS、CSTG-APS、CSTG-SPS
2	CSTG-COS18-R/G/B/W	●●●○	0.9	1.8	19×19	53.7	30	27	CSTG-DPS、CSTG-APS、CSTG-SPS
3	CSTG-COS25-R/G/B/W	●●●○	1.8	2.3	26×25	59.5	32	31	CSTG-DPS、CSTG-APS、CSTG-SPS
4	CSTG-COS30-R/G/B/W	●●●○	2.7	4.5	30×30	56	38	36	CSTG-DPS、CSTG-APS、CSTG-SPS
5	CSTG-COS40-R/G/B/W	●●●○	3.6	6.3	39×38	70	46	47	CSTG-DPS、CSTG-APS、CSTG-SPS
6	CSTG-COS60-R/G/B/W	●●●○	7.2	7.2	61×60	90	70	70	CSTG-DPS、CSTG-APS、CSTG-SPS
7	CSTG-COS5540-R/G/B/W	●●●○	3.6	4.5	55×40	73	63	45	CSTG-DPS、CSTG-APS、CSTG-SPS
8	CSTG-COS7040-R/G/B/W	●●●○	5.4	9	70×40	70	78	47	CSTG-DPS、CSTG-APS、CSTG-SPS
9	CSTG-COS80-R/G/B/W	●●●○	9	14	80×80	114	90	85.5	CSTG-DPS、CSTG-APS、CSTG-SPS
10	CSTG-COS100-R/G/B/W	●●●○	17	22	102×100	134	111	105	CSTG-DPS、CSTG-APS、CSTG-SPS
11	CSTG-COS120-R/G/B/W	●●●○	23	27	120×120	174	130	134	CSTG-DPS、CSTG-APS、CSTG-SPS
12	CSTG-COS12065-R/G/B/W	●●●○	11	18	120×65	111.2	130	70	CSTG-DPS、CSTG-APS、CSTG-SPS
13	CSTG-COS140-R/G/B/W	●●●○	33	36	140×140	188	150	146	CSTG-DPS、CSTG-APS、CSTG-SPS
14	CSTG-COS180130-R/G/B/W	●●●○	40	44	180×130	180	190	140	CSTG-DPS、CSTG-APS、CSTG-SPS

Product dimension drawing(mm)

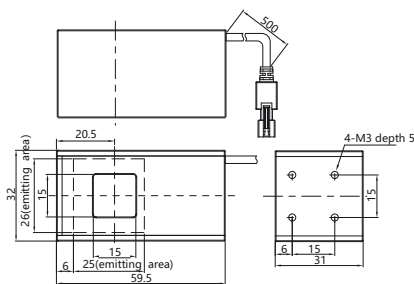
CSTG-COS14 1



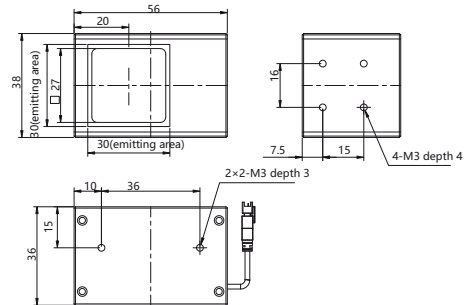
CSTG-COS18 2



CSTG-COS25 3



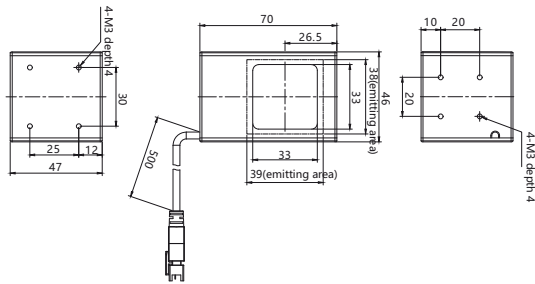
CSTG-COS30 4



Product dimension drawing (mm)

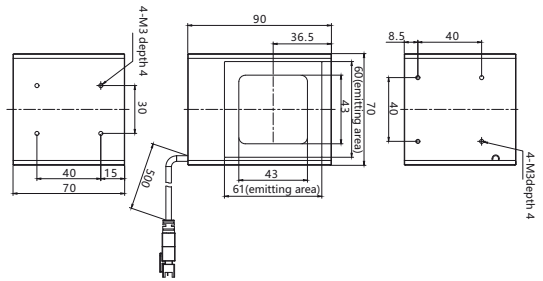
CSTG-COS40

5



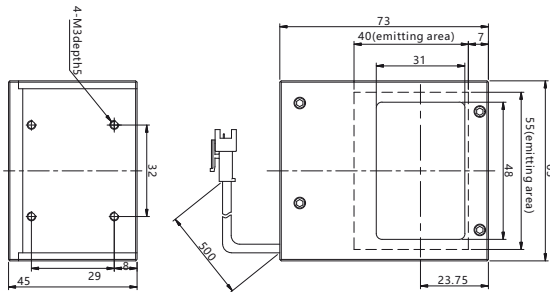
CSTG-COS60

6



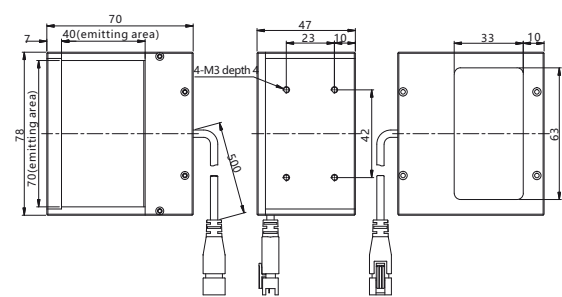
CSTG-COS5540

7



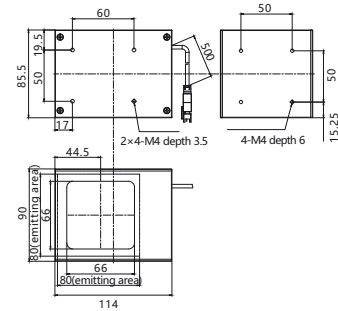
CSTG-COS7040

8



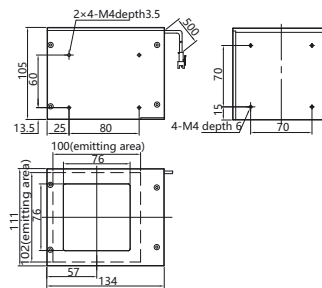
CSTG-COS80

9



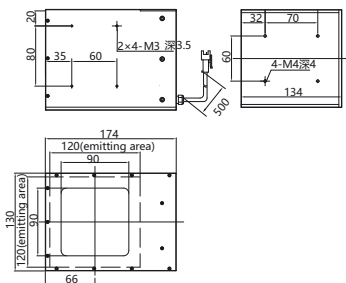
CSTG-COS100

10



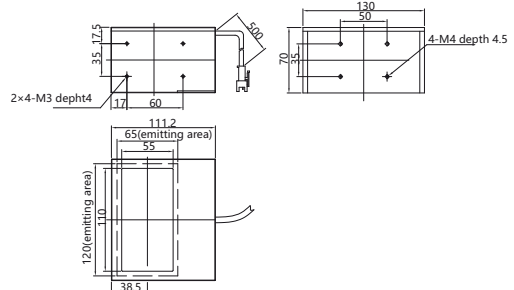
CSTG-COS120

11



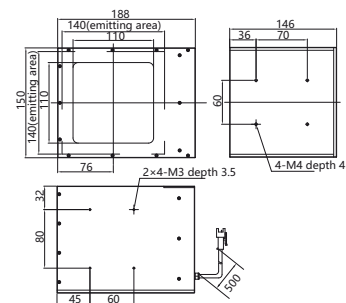
CSTG-COS12065

12



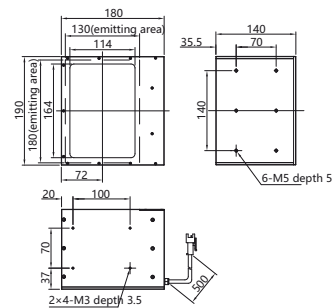
CSTG-COS140

13



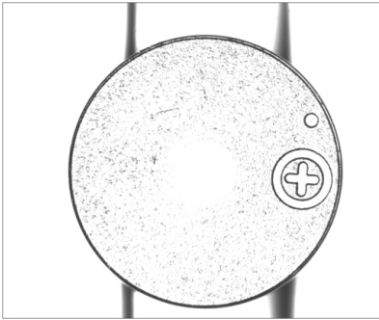
CSTG-COS180130

14



Coaxial light source COS Series

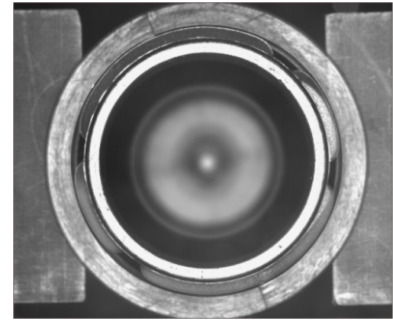
Image cases



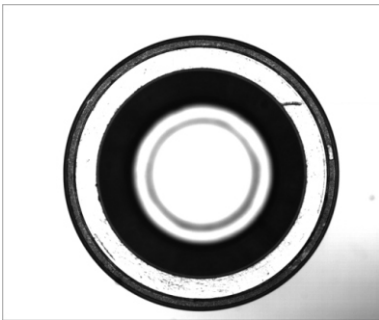
CSTG-COS30-B
Positioning of Buzzer direction



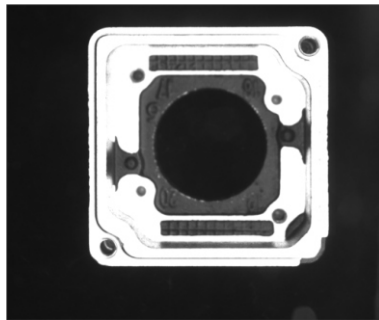
CSTG-COS30-R
Mark positioning



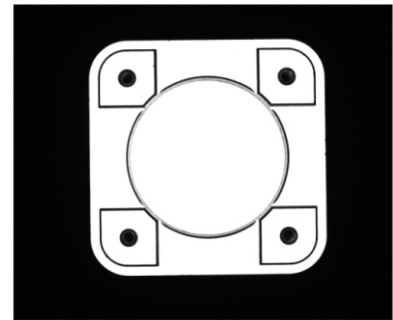
CSTG-COS5540-W
OLAY Character inspection



CSTG-COS40-B
Positioning of camera lens barrel



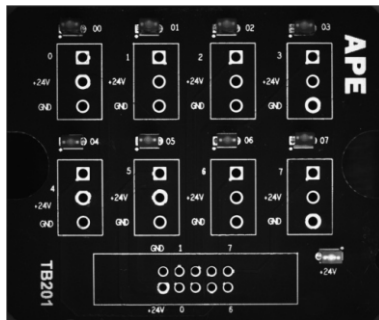
CSTG-COS60-B
Inspection the outermost contour of workpiece



CSTG-COS60-W
Positioning inspection



CSTG-COS80-R
PCB board character inspection



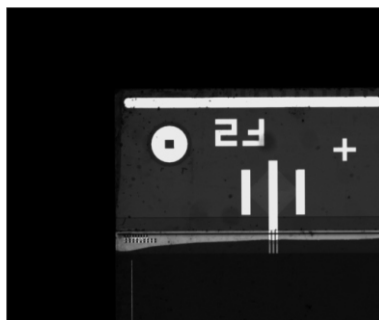
CSTG-COS80-R
PCB element hole positioning



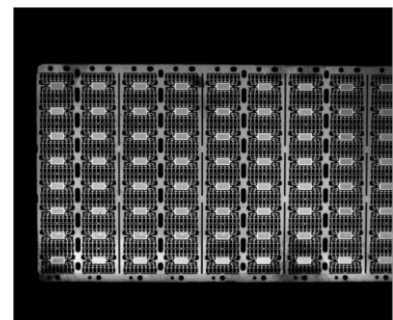
CSTG-COS5540-B
Positioning for the glue of fingerprint module



CSTG-COS5540-G
Inspection the QR code on the screen

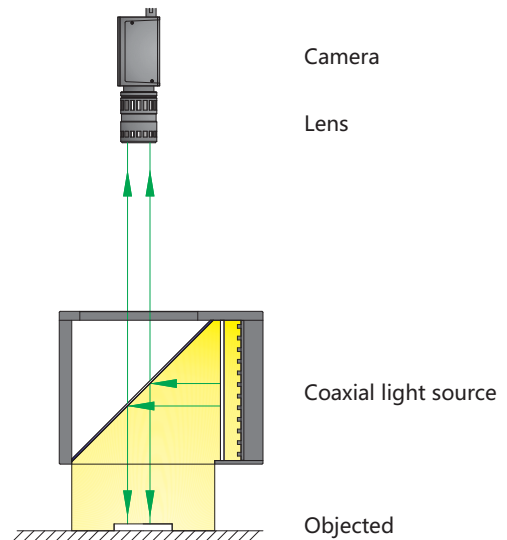


CSTG-COS5540-W
Positioning inspection for mobile phone Mark



CSTG-COS180130-B
FPC inspection

Coaxial light source CP Series



Product feature

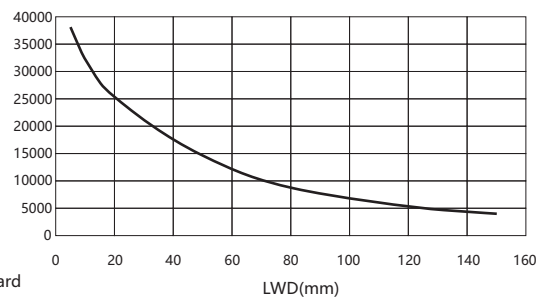
- ◆ Add the brightness enhancement film to increase the brightness.
- ◆ With better light directivity, it is more suitable for surface defect inspection.
- ◆ High uniformity brightness and clear image.
- ◆ Efficient heat dissipation, prolong life service.
- ◆ Specially coated spectroscop to reduce light loss.

Application

- ◆ Scratches inspection for metal surface
- ◆ Smooth surface convex, pit inspection
- ◆ Character detection for smooth surface
- ◆ Positioning inspection for metal contour
- ◆ Size inspection for smooth object
- ◆ QR code inspection
- ◆ Mark location inspection on circuit board
- ◆ Dimension inspection for cell phone frame

Illuminance graph

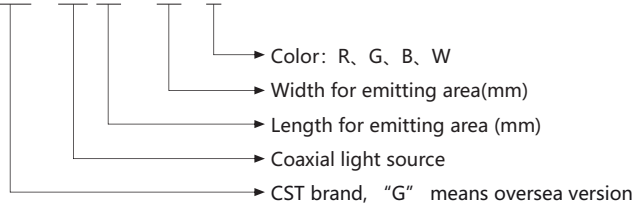
CSTG-CP80M80-W



CSTG No.

Coaxial light source(CSTG-CP Series)

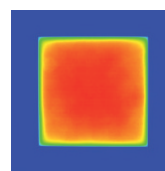
CSTG - CP 60 M 60 - R



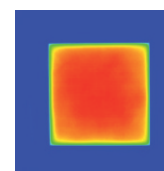
Uniform chart of light source

CSTG-CP80M80-W

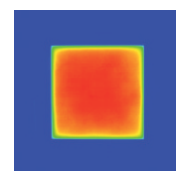
FOV: 100×100mm



LWD=10mm



LWD=50mm



LWD=100mm

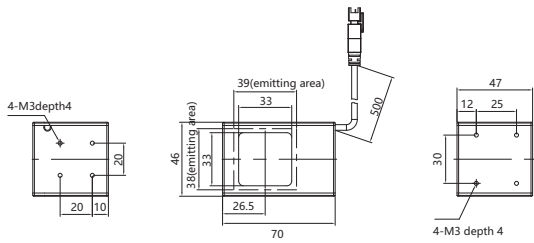
Wave length/color temp	Red	620-630 nm	IR	850-940 nm
	Blue	465-475 nm	UV	365-405 nm
	White	6000-6500K	Green	520-530 nm
Storage environment	Temperature	-20-60°C	Humidity	20-85%RH(Non-condensation)
Using environment		0-40°C		
Option accessories	Extension cable, Diffuse plate			
Controller	CSTG-DPS Series、CSTG-APS Series、CSTG-SPS Series (The selected controller should match the power of the light source)			
Service life	When the environment at 25°C, the red color works continuously for 60000 hours with 50% illumination,the decrement at 50% When the environment at 25°C, the white color works continuously for 30000 hours with 50% illumination,the decrement at 50%			
Quality assurance	CSTG products shipped out within 1 year, the fault not caused by personal reason, will provide free maintenance or replacement services			

Coaxial light source CP series

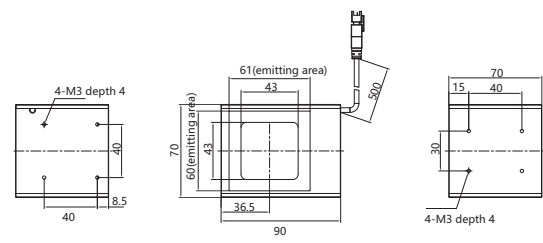
Specification									
Item	CSTG#	Color	Power(W)		Emitting area (mm)	Overall size(mm)			Recommended controller
			R	G/B/W		L	W	H	
1	CSTG-CP40M40-R/G/B/W	● ● ● ○	3.6	6.3	39×38	70	46	47	CSTG-DPS, CSTG-APS, CSTG-SPS
2	CSTG-CP60M60-R/G/B/W	● ● ● ○	7.2	7.2	60×61	90	70	70	CSTG-DPS, CSTG-APS, CSTG-SPS
3	CSTG-CP80M80-R/G/B/W	● ● ● ○	9	14	80×80	114	90	85.5	CSTG-DPS, CSTG-APS, CSTG-SPS

Product dimension drawing(mm)

CSTG-CP40M40 1



CSTG-CP60M60 2



CSTG-CP80M80 3

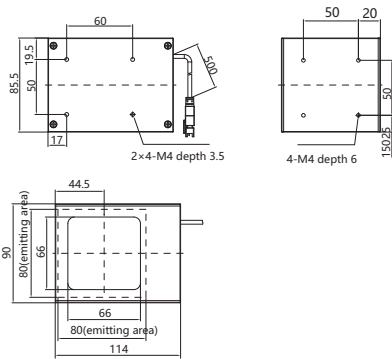
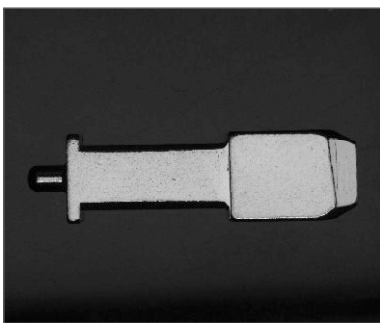
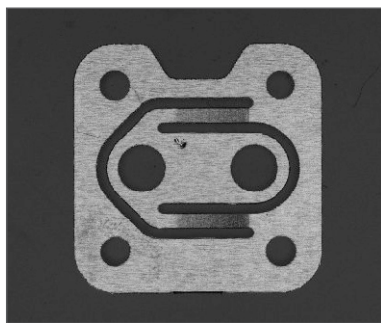


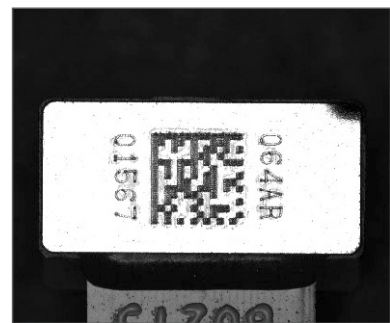
Image cases



CSTG-CP80M80-R

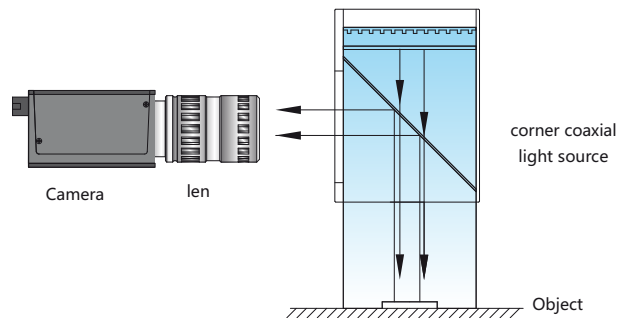
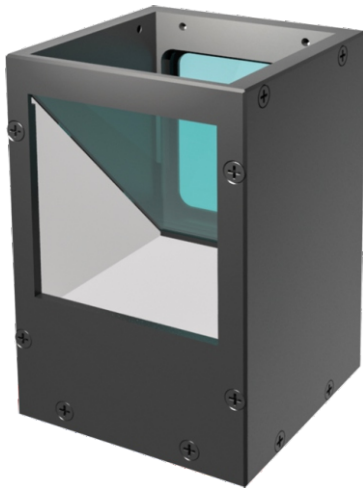


CSTG-CP60M60-B



CSTG-CP60M60-W
Deformation detection

Coaxial light source COSC Series



Product feature

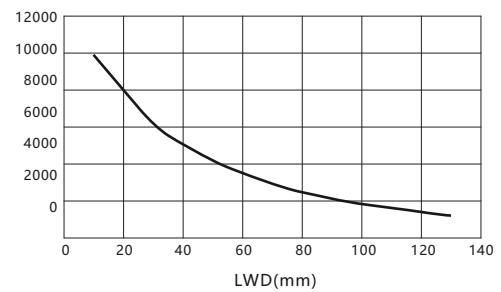
- High density LED array, high brightness, clearly imaging.
- Unique heat dissipation structure, improve the stability of light source.
- Special coating, can eliminate the image ghosting effectively
- Can highlight the uneven surface of the object, overcome the interference caused by surface reflection.
- Change the install direction, to save the installation space.

Application

- Steel profile positioning
- QR codes reading
- Metal surface defect inspection
- Webcam appearance inspection
- Circuit board mark inspection
- Various dimensions measurement
- PCB copper leakage inspection
- LED lampholder positioning
- Internal character recognition of mobile phone shell

Illuminance graph

CSTG-COSC5540-W



CSTG No.

Coaxial light source (CSTG-COSC Series)

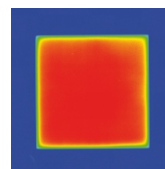
CSTG - COSC 40 - R

- Color: R, G, B, W
- Luminous size (mm)*
- * square is side length
- Rectangle is L-W
- Corner coaxial light source
- CST brand, "G" means oversea version

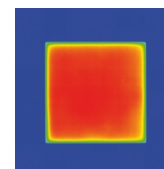
Uniform chart of light source

CSTG-COSC40-W

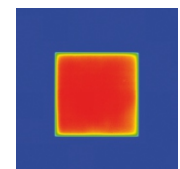
FOV: 80×80mm



LWD=10mm



LWD=50mm

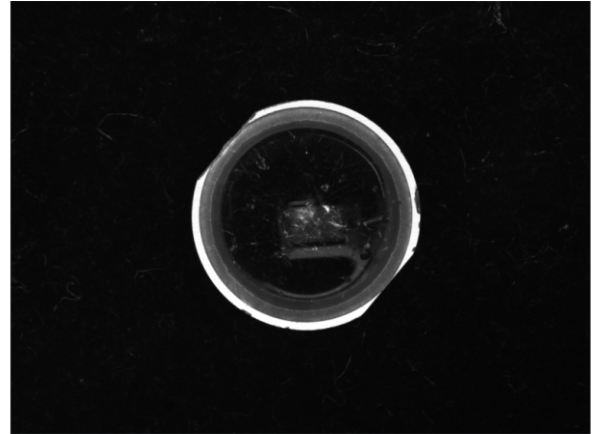


LWD=100mm

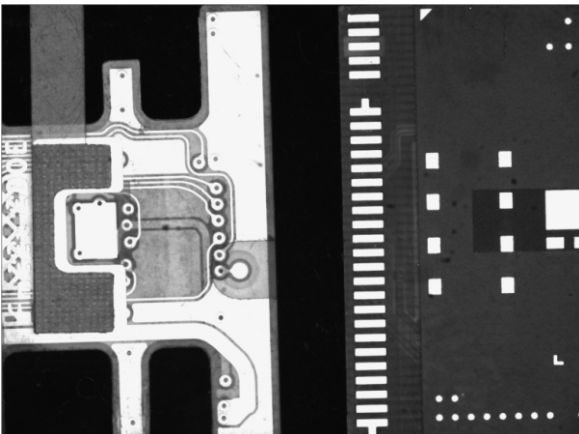
Image cases



CSTG-COSC40-B
Front and back side inspection (front)



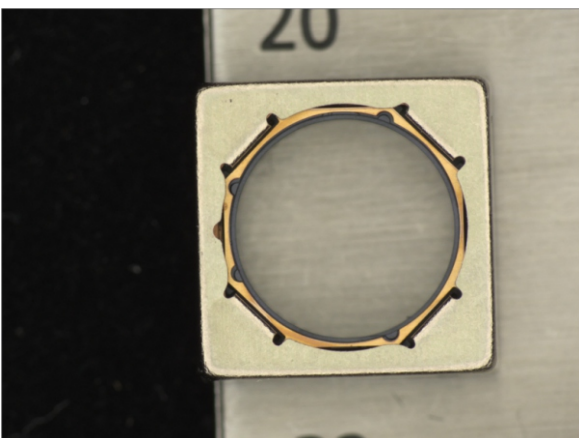
CSTG-COSC40-B
Front and back side inspection (back)



CSTG-COSC40-W
FPC counterpoint inspection



CSTG-COSC40-W
Positioning inspection

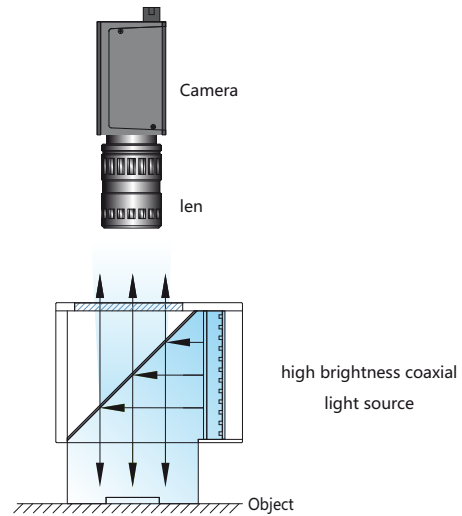


CSTG-COSC40-W
Dirty inspection



CSTG-COSC40-B
Positioning inspection

Coaxial light source HCOS Series



Product feature

- High brightness (4-5 times of the brightness than standard coaxial lights)
- Because of the heat dissipation, the volume of the light source is larger than the standard coaxial light source in the same luminous area.
- Air cooling heat dissipation

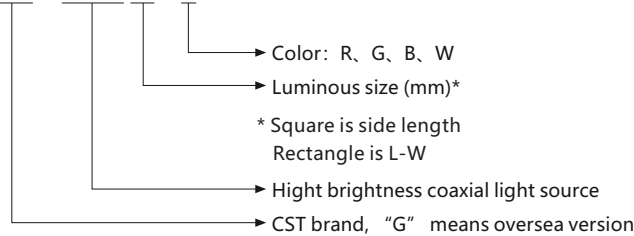
Application

- Suitable for all coaxial optical applications
- Suitable for high-speed flight photography
- Inspection of reflective surface, including dents, damage, defects
- Printing circuit board characters and pattern inspection
- Mark positioning
- All kinds QR codes recognition
- Motor center positioning

CSTG No.

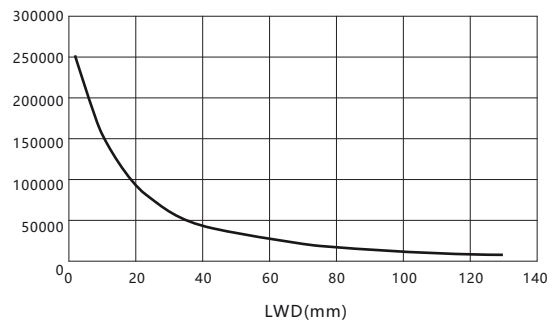
High brightness coaxial light source (CSTG-HCOS Series)

CSTG - HCOS 40 - R



Illuminance graph

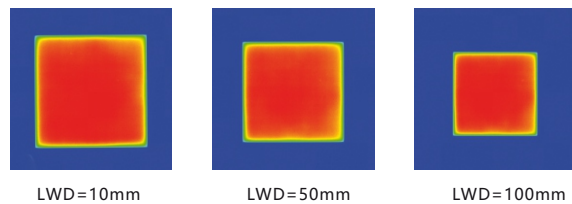
CSTG-HCOS40-W



Uniform chart of light source

CSTG-HCOS40-W

FOV: 60×60mm



Wave length/color temp	Red	620-630 nm	IR	850-940 nm
	Blue	465-475 nm	UV	365-405 nm
	White	6000-6500K	Green	520-530 nm
Storage environment	Temperature	-20-60°C	Humidity	20-85%RH(Non-condensation)
Using environment		0-40°C		
Option accessories	Extension cable			
Controller	CSTG-CPL48150B-2T			
Service life	When the environment at 25°C, the red color works continuously for 60000 hours with 50% illumination,the decrement at 50% When the environment at 25°C, the white color works continuously for 30000 hours with 50% illumination,the decrement at 50%			
Quality assurance	CSTG products shipped out within 1 year, the fault not caused by personal reason, will provide free maintenance or replacement services			

Coaxial light source HCOS Series

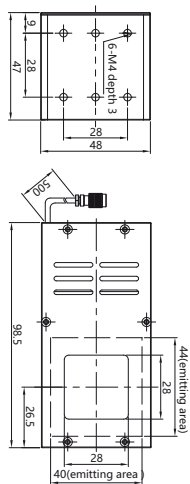
Specification

Item	CSTG No.	Color	Power(W)		Luminous size(mm)	Overall size(mm)			Recommended controller
			R	G/B/W		L	W	H	
1	CSTG-HCOS40-R/G/B/W	● ● ● ● ○	18	18	40×44	98.5	48	47	CSTG-CPL48150B-2T
2	CSTG-HCOS60-R/G/B/W	● ● ● ● ○	35	35	60×60	126	68	67	CSTG-CPL48150B-2T
3	CSTG-HCOS70-R/G/B/W	● ● ● ● ○	53	53	70×71	136	78	77.5	CSTG-CPL48150B-2T

Product dimension drawing(mm)

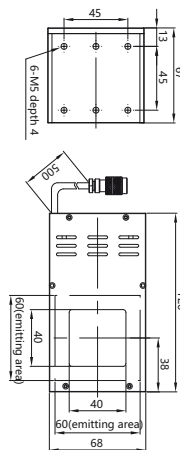
CSTG-HCOS40

1



CSTG-HCOS60

2



CSTG-HCOS70

3

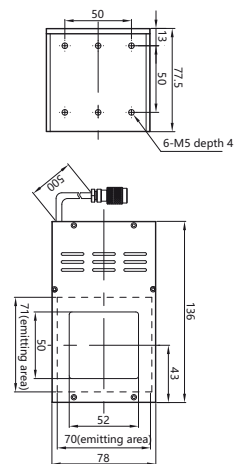
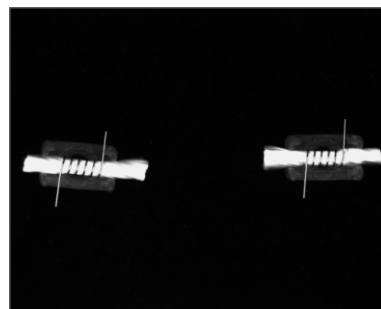


Image cases



CSTG-HCOS40-R
Plastic shell appearance defect inspection

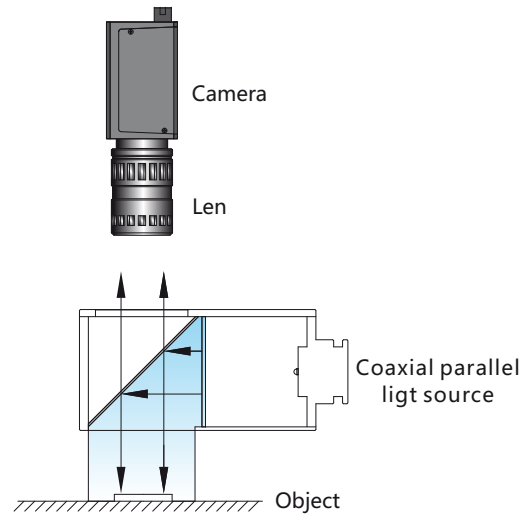
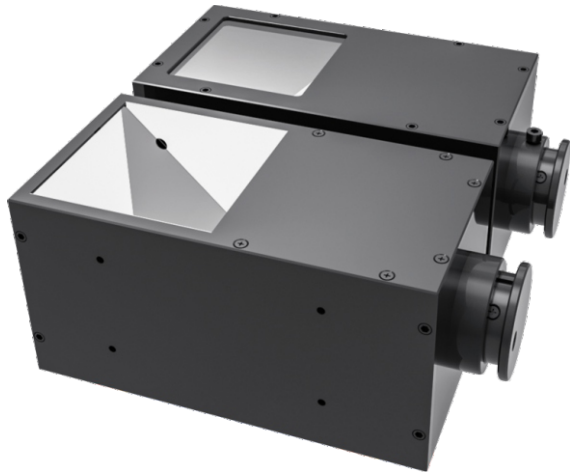


CSTG-HCOS60-R
E-cigarette pin size measurement



CSTG-HCOS60-W
Bottle cap defect inspection

Coaxial light source COPS Series



Product feature

- High brightness
- High uniformity
- High degree of parallelism

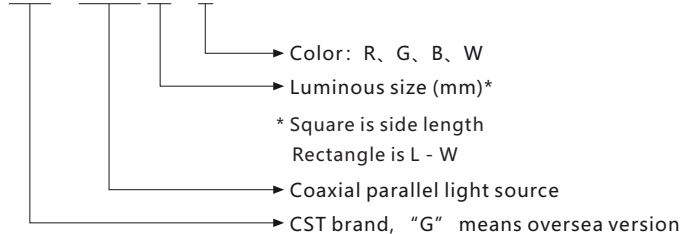
Application

- Smooth surface scratch inspection
- Surface bump inspection
- Glue inspection
- Dimensions measurement
- Screen skewing inspection
- Inspection of raised characters, scratches and other defects.
- Inspection of flat hardware surface indentation, scratches and other defects
- Plane reflective objects scratches, bump inspection
- Inspection of slightly scratch for mobile phone screen
- Inspection thin burr of product profile

CSTG No.

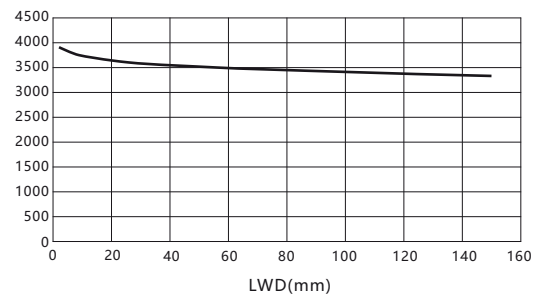
Coaxial parallel light source (CSTG-COPS series)

CSTG - COPS 40 - R



Illuminance graph

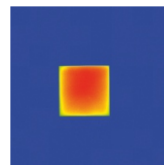
CSTG-COPS40-R



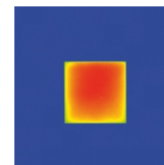
Uniform chart of light source

LWD=50mm

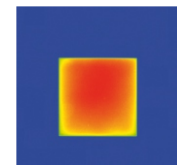
FOV: 100×100mm



CSTG-COPS30-R



CSTG-COPS60-R



CSTG-COPS80-R

Wave length/color temp	Red	620-630 nm	IR	850-940 nm
	Blue	465-475 nm	UV	365-405 nm
	White	6000-6500K	Green	520-530 nm
Storage environment	Temperature	-20-60°C	Humidity	20-85%RH(Non-condensation)
Using environment		0-40°C		
Option accessories	Extension cable			
Controller	CSTG-CPL0520A-4TD			
Service life	When the environment at 25°C, the red color works continuously for 60000 hours with 50% illumination,the decrement at 50%			
	When the environment at 25°C, the white color works continuously for 30000 hours with 50% illumination,the decrement at 50%			
Quality assurance	CSTG products shipped out within 1 year, the fault not caused by personal reason, will provide free maintenance or replacement services			

Coaxial light source COPS series

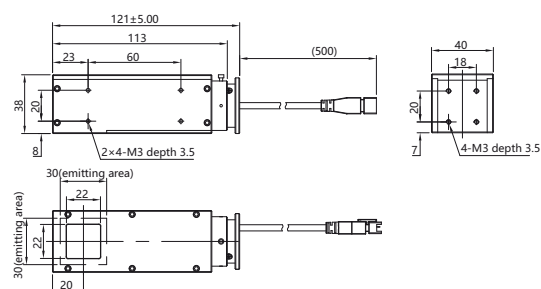
Specification

Item	CSTG NO.	Color	Power(W)		Emitting area(mm)	Overall size(mm)			Recommended controller
			R	G/B/W		L	W	H	
1	CSTG-COPS30-R/G/B/W	●●●○	3	3	30×30	121	40	38	CSTG-CPL0520A-4TD
2	CSTG-COPS40-R/G/B/W	●●●○	3	3	40×40	135	50	48	CSTG-CPL0520A-4TD
3	CSTG-COPS50-R/G/B/W	●●●○	3	3	50×50	140	60	58	CSTG-CPL0520A-4TD
4	CSTG-COPS60-R/G/B/W	●●●○	3	3	60×60	151	70	68	CSTG-CPL0520A-4TD
5	CSTG-COPS80-R/G/B/W	●●●○	3	3	87×82	255	94.3	93	CSTG-DPS、CSTG-APS、CSTG-SPS

Product dimension drawing(mm)

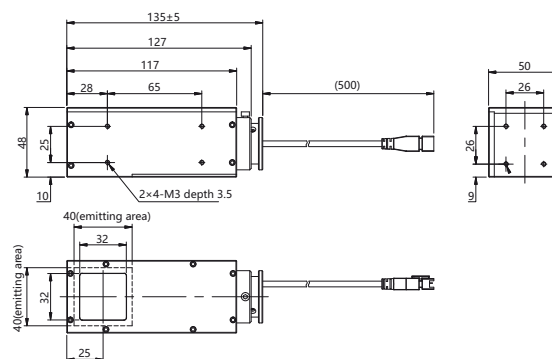
CSTG-COPS30

1



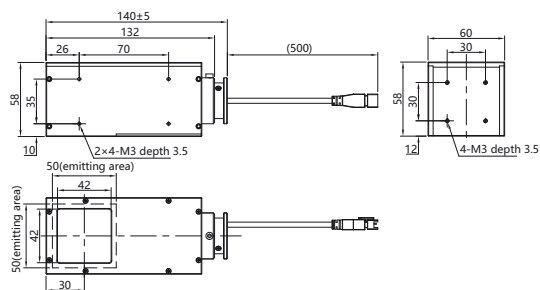
CSTG-COPS40

2



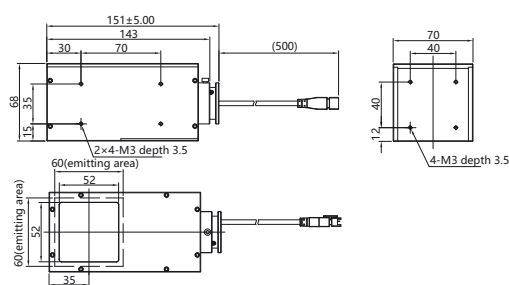
CSTG-COPS50

3



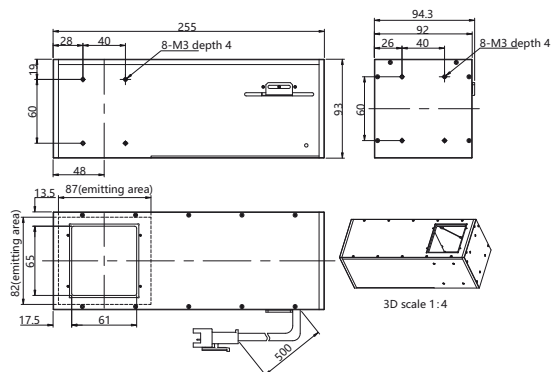
CSTG-COPS60

4



CSTG-COPS80

5

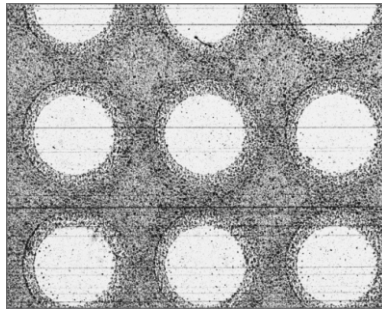


Coaxial light source COPS series

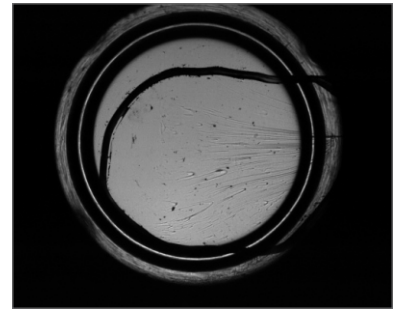
Image cases



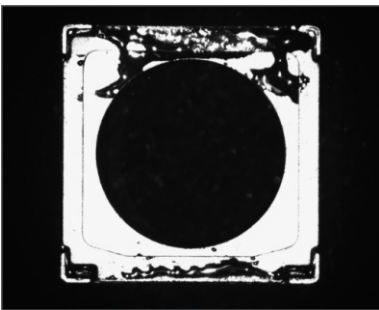
CSTG-COPS40-B
Glass positioning cutting inspection



CSTG-COPS40-B
Inspection the impurities in the hole



CSTG-COPS40-B
Inspection the defect for lens surface



CSTG-COPS40-W
Inspection the glue for camera



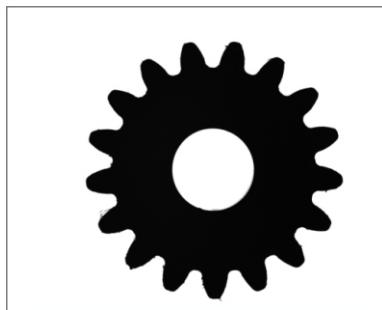
CSTG-COPS40-W
Camera character recognition



CSTG-COPS60-B
Charger touch spot inspection



CSTG-COPS60-B
Dimension measurement for cylindrical hardware

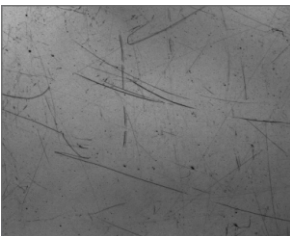


CSTG-COPS60-W
Gear dimension inspection



CSTG-COPS60-W
Liquid crystal screen surface glue inspection

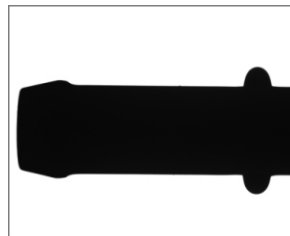
Comparison imaging



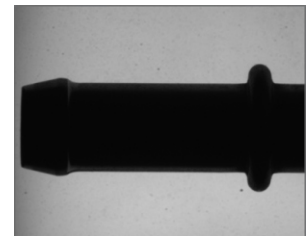
CSTG-COPS40-B
Inspection the scratch for apple adapter



CSTG-COS40-B



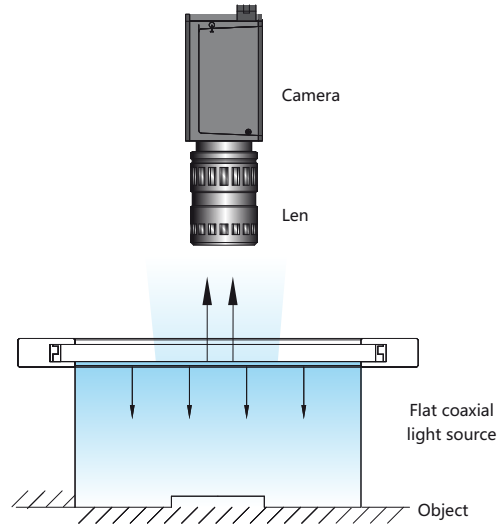
CSTG-COPS60-B



CSTG-HFS100100-B

Dimension measurement for metal parts

Coaxial light source FCS Series



Product feature

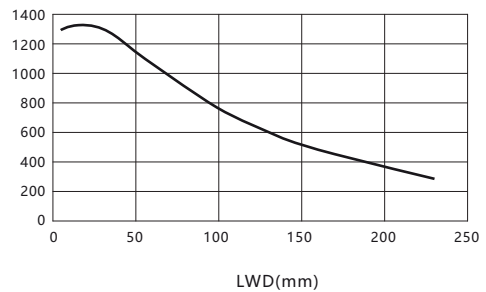
- Special light-guide material to ensure light irradiation uniformity & vertically
- In some occasion, it can be used instead of coaxial light and dome light, saving installation space.
- Realize the product comprehensive orientation irradiation.

Application

- Drug packaging surface inspection
- Inspection chromatic aberration of bottle cap
- Film surface defect inspection
- Various dimensions measurement
- Liquid level inspection
- Inspection the burr for metal parts
- Inspection the breakage for package material
- Uneven surfaces are irradiated uniformly
- Product surface scratch, character inspection
- Uneven product contour, size inspection

Illuminance graph

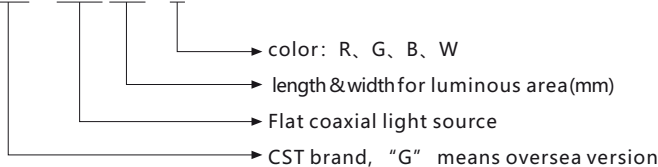
CSTG-FCS200-W



CSTG No.

Plane coaxial light source(CSTG-FCS series)

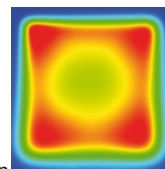
CSTG - FCS 200 - R



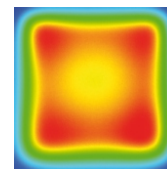
Uniform chart of light source

CSTG-FCS200-W

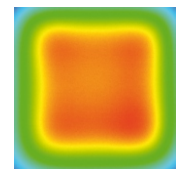
FOV: 220×220mm



LWD=10mm



LWD=20mm



LWD=50mm

Wave length/color temp	Red	620-630 nm	IR	850-940 nm
	Blue	465-475 nm	UV	365-405 nm
	White	6000-6500K	Green	520-530 nm
Storage environment	Temperature	-20-60°C	Humidity	20-85%RH(Non-condensation)
Using environment		0-40°C		
Option accessories	Extension cable			
Controller	CSTG-DPS Series, CSTG-APS Series, CSTG-SPS Series (The selected controller should match the power of the light source)			
Service life	When the environment at 25°C, the red color works continuously for 60000 hours with 50% illumination,the decrement at 50%			
	When the environment at 25°C, the white color works continuously for 30000 hours with 50% illumination,the decrement at 50%			
Quality assurance	CSTG products shipped out within 1 year, the fault not caused by personal reason, will provide free maintenance or replacement services			

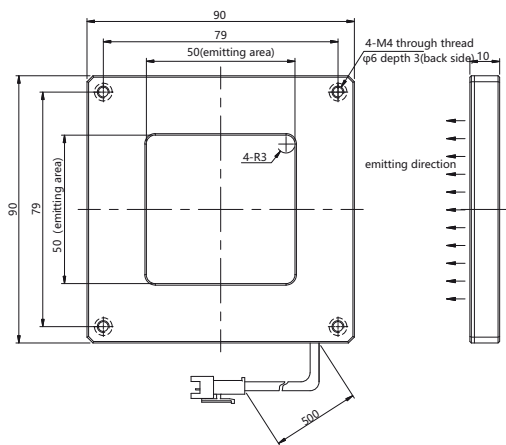
Coaxial light source FCS Series

Specification

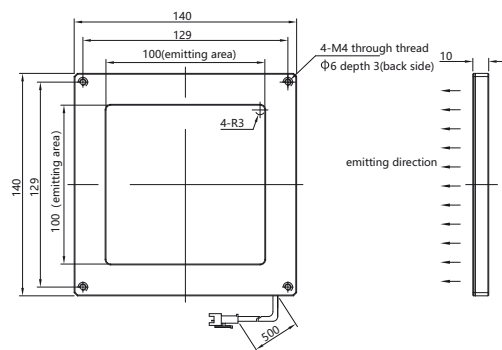
Item	CSTG No.	Color	Power(W)		Luminous size(mm)	Overall size(mm)			Recommended controller
			R	G/B/W		L	W	H	
1	CSTG-FCS50-R/G/B/W	● ● ● ○	3.6	3.6	50×50	90	90	10	CSTG-DPS, CSTG-APS, CSTG-SPS
2	CSTG-FCS100-R/G/B/W	● ● ● ○	7.2	11	100×100	140	140	10	CSTG-DPS, CSTG-APS, CSTG-SPS
3	CSTG-FCS150-R/G/B/W	● ● ● ○	11	15	150×150	190	190	10	CSTG-DPS, CSTG-APS, CSTG-SPS
4	CSTG-FCS200-R/G/B/W	● ● ● ○	15	22	200×200	240	240	10	CSTG-DPS, CSTG-APS, CSTG-SPS

Product dimension drawing(mm)

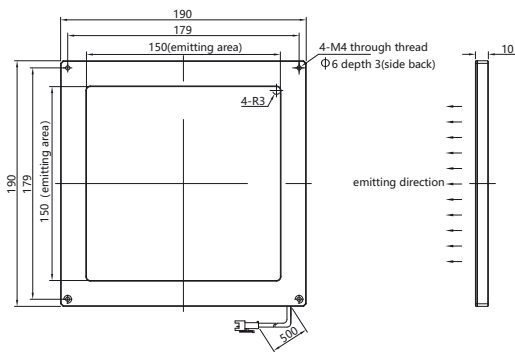
CSTG-FCS50 1



CSTG-FCS100 2



CSTG-FCS150 3



CSTG-FCS200 4

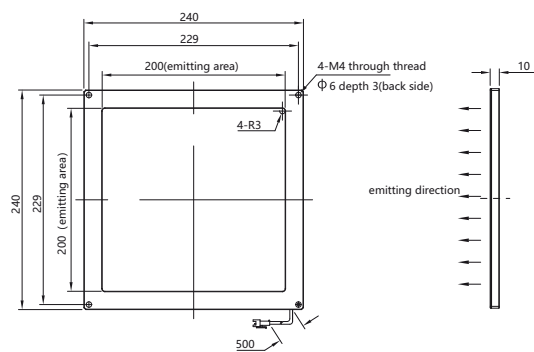
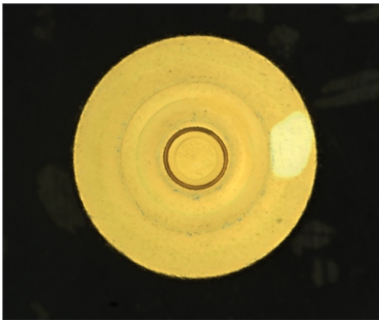


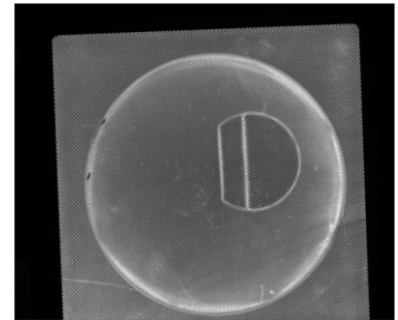
Image cases



CSTG-FCS50-W
Inspection the color
difference on bottle cap surface



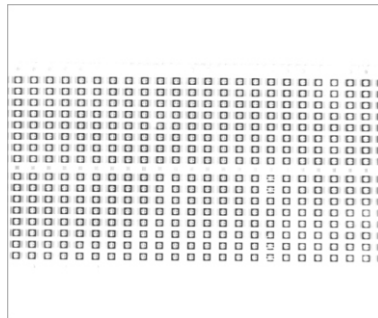
CSTG-FCS100-W
Capsule leakage powder inspection



CSTG-FCS100-W
Lens size measurement



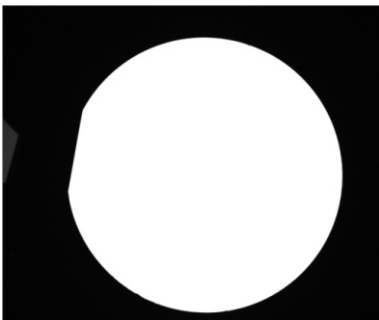
CSTG-FCS100-W
PCB positioning



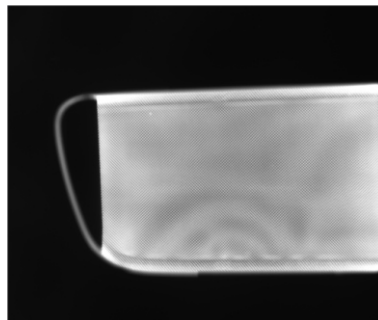
CSTG-FCS100-W
Inspection the defect for lamp panel



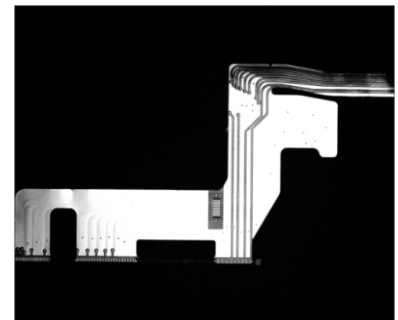
CSTG-FCS100-W
Terminal pin spacing inspection



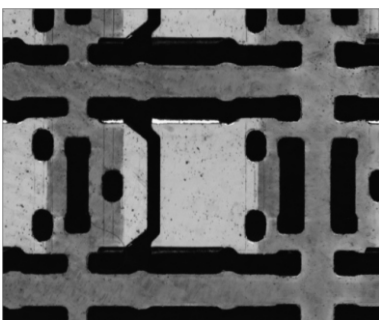
CSTG-FCS150-W
Wafer location inspection



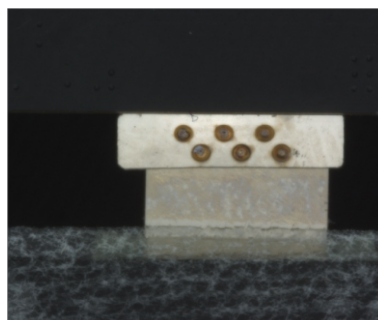
CSTG-FCS150-W
Rearview mirror surface pit inspection



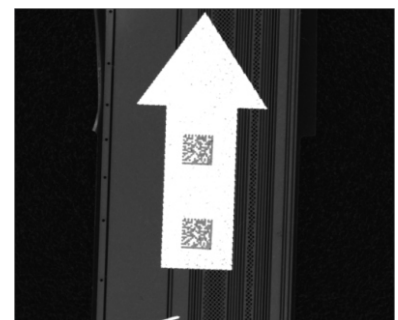
CSTG-FCS200-B
FPC positioning inspection



CSTG-FCS200-W
LED substrate defect inspection

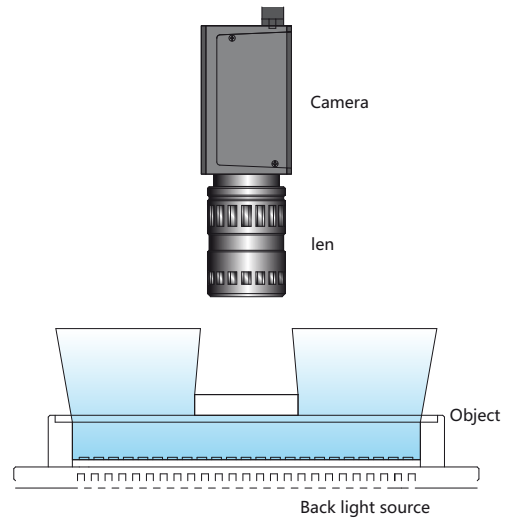


CSTG-FCS200-W
Electrode solder joints inspection



CSTG-FCS100-W
QR inspection

Back light source HFS Series



Product feature

- ♦High density LED distributed at the bottom of the light source
- ♦Good uniformity, soft and natural light, high brightness
- ♦Flexible size, convenient customization, wide range of applications
- ♦Various installation method in order to convenience for customer to install

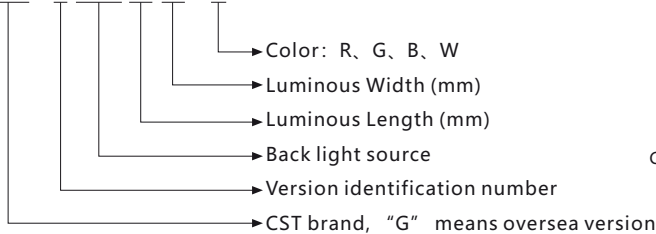
Application

- ♦Liquid level inspection
- ♦Dimension measuring
- ♦Liquid foreign matter inspection
- ♦Burr inspection for metal profile
- ♦Appearance inspection
- ♦Dimension measuring for workpiece
- ♦Inspection for surface scratches of transparent objects and internal foreign matter
- ♦Film stain inspection
- ♦Inspection the crack of sealing strip for the car window

CSTG No.

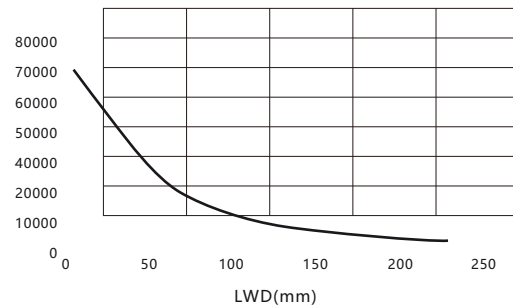
Back light source(CSTG-HFS Series)

CSTG - 2 HFS 50 50 - R



Illuminance graph

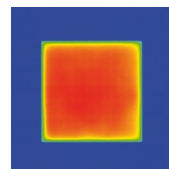
CSTG-2HFS100100-W



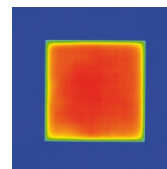
Uniform chart of light source

LWD=100mm

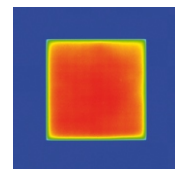
FOV: 140×140mm



CSTG-2HFS100100-B



CSTG-2HFS100100-R



CSTG-2HFS100100-W

Wave length/color temp	Red	620-630 nm	IR	850-940 nm
	Blue	465-475 nm	UV	365-405 nm
	White	6000-6500K	Green	520-530 nm
Storage environment	Temperature	-20-60°C	Humidity	20-85%RH(Non-condensation)
Using environment		0-40°C		
Option accessories	Extension cable			
Controller	CSTG-DPS series, CSTG-APS series, CSTG-SPS series (The selected controller should match the power of the light source)			
Service life	When the environment at 25°C, the red color works continuously for 60000 hours with 50% illumination,the decrement at 50%			
	When the environment at 25°C, the white color works continuously for 30000 hours with 50% illumination,the decrement at 50%			
Quality assurance	CSTG products shipped out within 1 year, the fault not caused by personal reason, will provide free maintenance or replacement services			

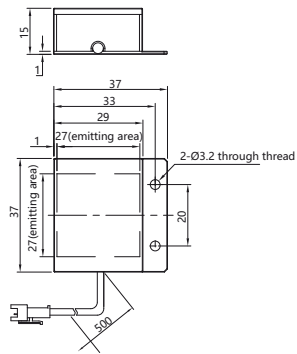
Specification

Item	CSTG No.	Color	Power(W)		Luminous size(mm)	Overall size(mm)			Recommended controller
			R	G/B/W		L	W	H	
1	CSTG-HFS2727-R/G/B/W	● ● ● ○	0.9	1.7	27×27	37	37	15	CSTG-DPS, CSTG-APS, CSTG-SPS
2	CSTG-HFS4828-R/G/B/W	● ● ● ○	1.3	1.7	48×28	58	30	18	CSTG-DPS, CSTG-APS, CSTG-SPS
3	CSTG-HFS5050-R/G/B/W	● ● ● ○	3	3	50×50	78	64	19	CSTG-DPS, CSTG-APS, CSTG-SPS
4	CSTG-HFS7070-R/G/B/W	● ● ● ○	3.8	6.3	70×70	98	84	19	CSTG-DPS, CSTG-APS, CSTG-SPS
5	CSTG-HFS100100-R/G/B/W	● ● ● ○	8.9	11	100×100	135	115	19	CSTG-DPS, CSTG-APS, CSTG-SPS
6	CSTG-HFS120120-R/G/B/W	● ● ● ○	11	12	120×120	155	135	19	CSTG-DPS, CSTG-APS, CSTG-SPS
7	CSTG-HFS150100-R/G/B/W	● ● ● ○	11	16	150×100	180	114	19	CSTG-DPS, CSTG-APS, CSTG-SPS
8	CSTG-HFS200150-R/G/B/W	● ● ● ○	17	25	200×150	184	214	19	CSTG-DPS, CSTG-APS, CSTG-SPS
9	CSTG-HFS200200-R/G/B/W	● ● ● ○	26	42	200×200	234	214	19	CSTG-DPS, CSTG-APS, CSTG-SPS
10	CSTG-HFS250250-R/G/B/W	● ● ● ○	38	48	250×250	285	265	20	CSTG-DPS, CSTG-APS, CSTG-SPS
11	CSTG-HFS260200-R/G/B/W	● ● ● ○	31	44	260×200	305	215	21	CSTG-DPS, CSTG-APS, CSTG-SPS
12	CSTG-HFS300300-R/G/B/W	● ● ● ○	61	101	300×300	333	313	24.3	CSTG-HAPS(Φ19)
13	CSTG-HFS500400-R/G/B/W	● ● ● ○	121	174	500×400	539	414	26.3	CSTG-HAPS(Φ19)
14	CSTG-2HFS2727-R/G/B/W	● ● ● ○	0.9	1.7	27×27	41	39	16	CSTG-DPS, CSTG-APS, CSTG-SPS
15	CSTG-2HFS5050-R/G/B/W	● ● ● ○	1.7	3	50×50	64	64	19	CSTG-DPS, CSTG-APS, CSTG-SPS
16	CSTG-2HFS100100-R/G/B/W	● ● ● ○	6.8	11	100×100	114	114	19	CSTG-DPS, CSTG-APS, CSTG-SPS
17	CSTG-2HFS180150-R/G/B/W	● ● ● ○	21	34	180×150	194	164	19	CSTG-DPS, CSTG-APS, CSTG-SPS
18	CSTG-2HFS300200-R/G/B/W	● ● ● ○	38	63	300×200	314	214	19	CSTG-DPS, CSTG-APS, CSTG-SPS

Product dimension drawing(mm)

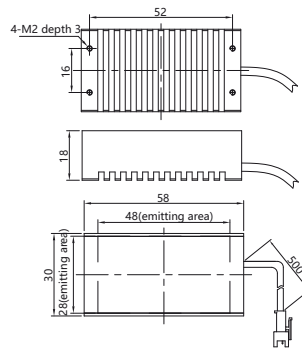
CSTG-HFS2727

1



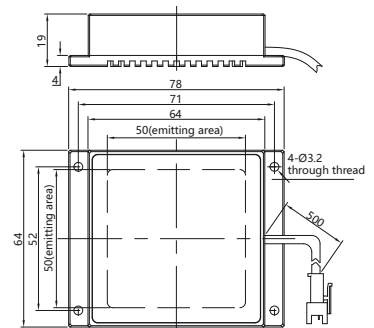
CSTG-HFS4828

2



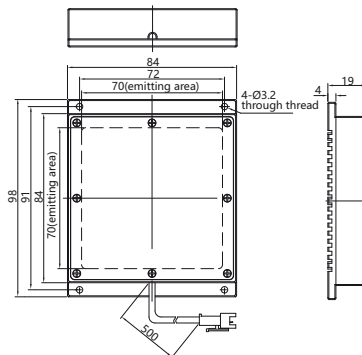
CSTG-HFS5050

3



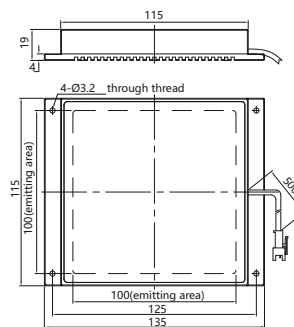
CSTG-HFS7070

4



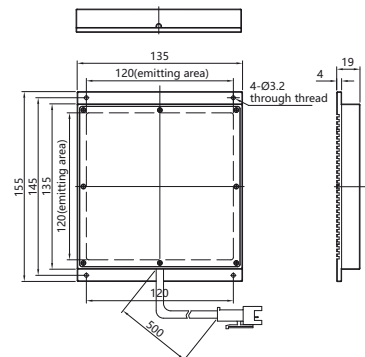
CSTG-HFS100100

5



CSTG-HFS120120

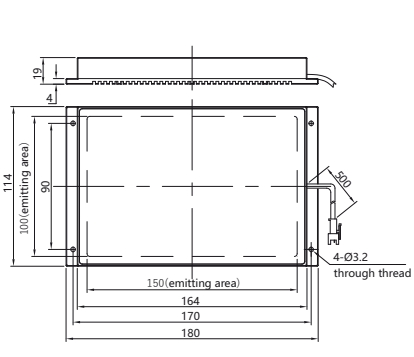
6



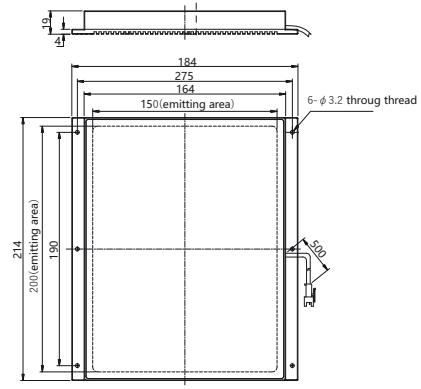
Back light source HFS series

Product dimension drawing(mm)

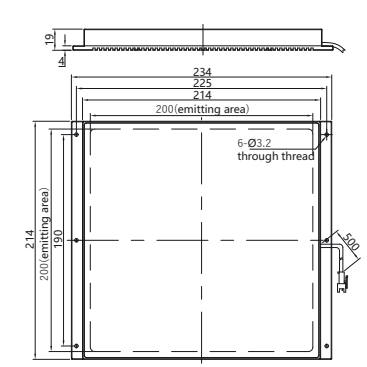
CSTG-HFS150100 7



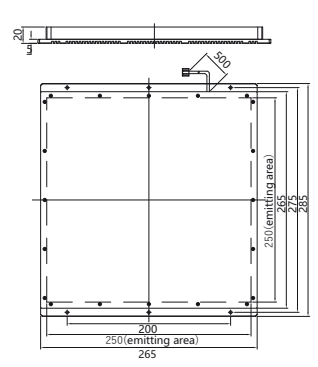
CSTG-HFS200150 8



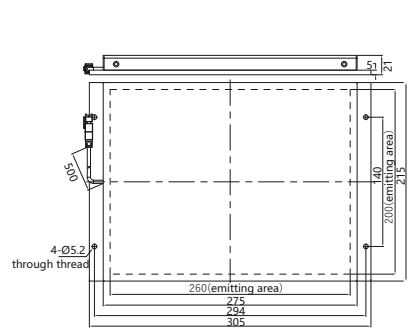
CSTG-HFS200200 9



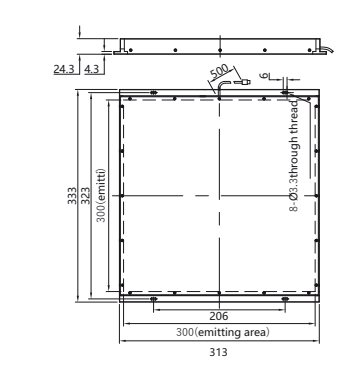
CSTG-HFS250250 10



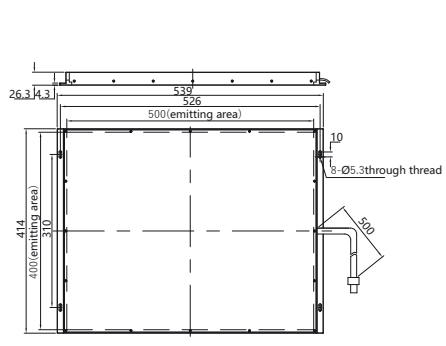
CSTG-HFS260200 11



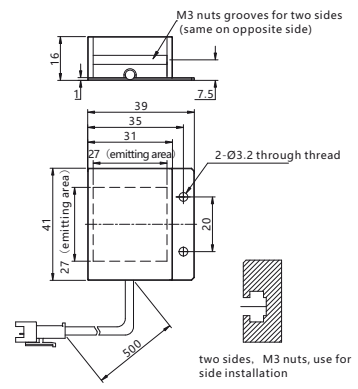
CSTG-HFS300300 12



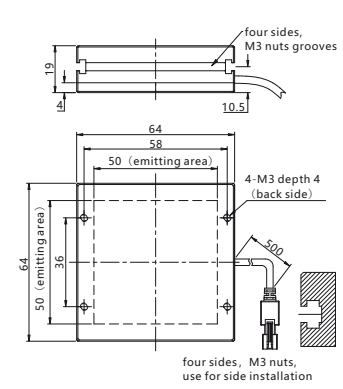
CSTG-HFS500400 13



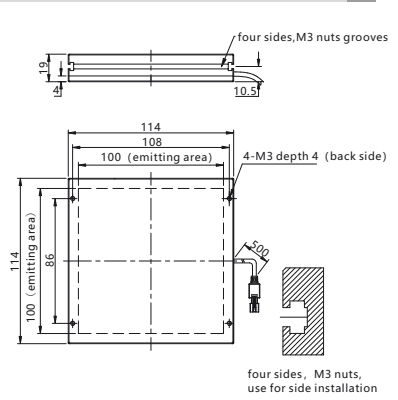
CSTG-2HFS2727 14



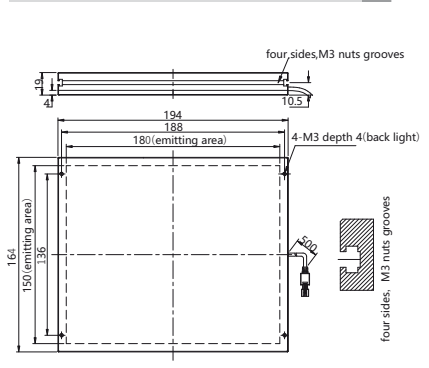
CSTG-2HFS5050 15



CSTG-2HFS100100 16



CSTG-2HFS180150 17



CSTG-2HFS300200 18

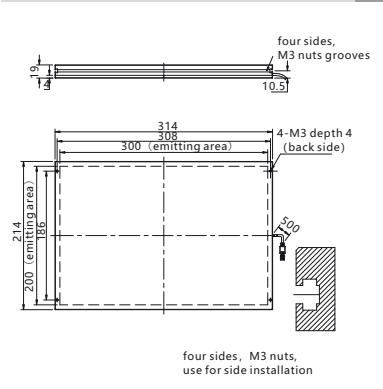
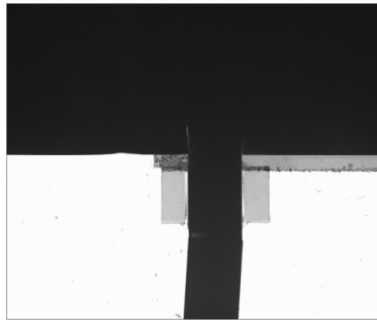


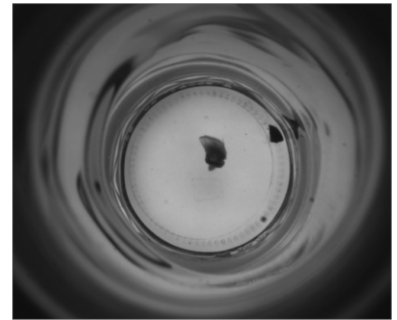
Image cases



CSTG-HFS5050-W
Inspection the side crack for screw



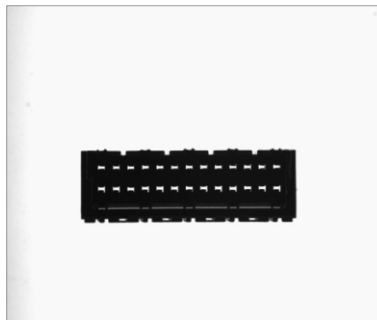
CSTG-HFS150100-W
Inspection the size of polar film



CSTG-HFS100100-W
Inspection the foreign matter at bottle bottom



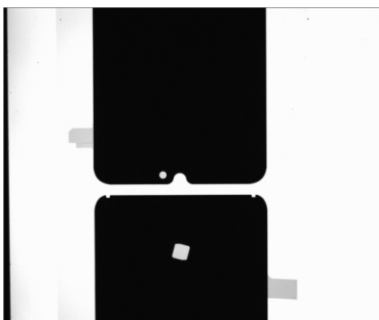
CSTG-HFS150100-W
Inspection the oil bottle character



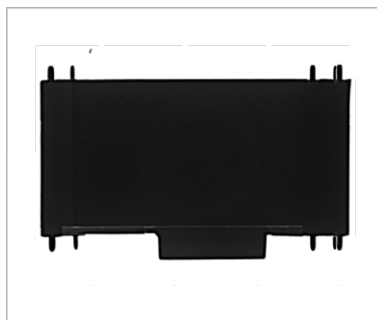
CSTG-HFS100100-W
Connector location inspection



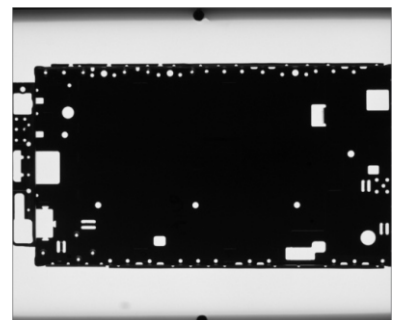
CSTG-HFS150100-W
Inspection the spring of clutch plate



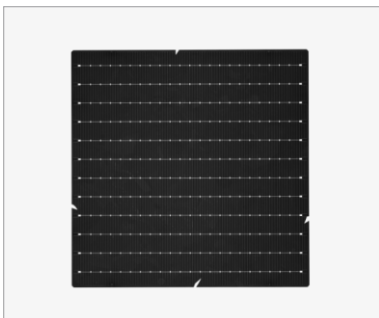
CSTG-HFS200150-W
Inspection the hole for film



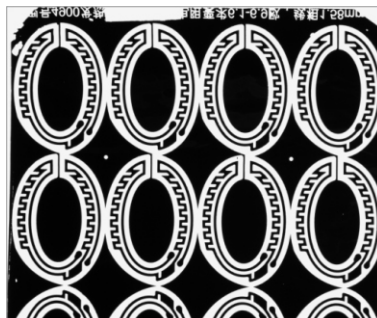
CSTG-HFS200200-W
Workpiece size inspection



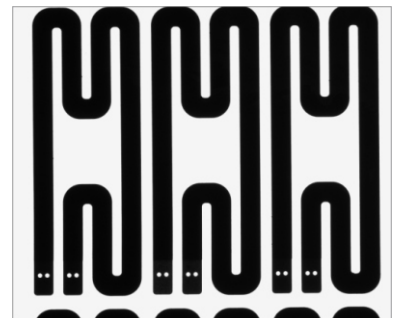
CSTG-HFS300200-B
Through hole inspection



CSTG-HFS300200-W
Solar panel defect inspection

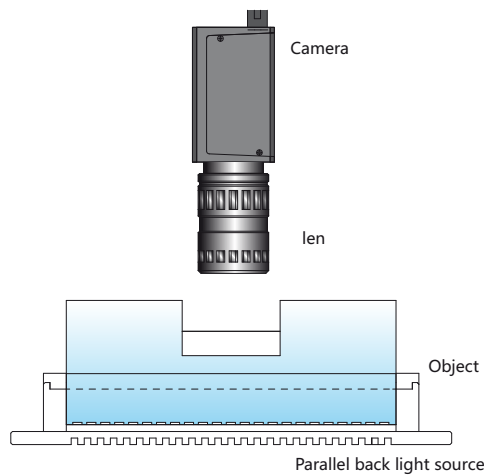


CSTG-HFS400300-W
Resistance defect inspection



CSTG-HFS400300-W
Resistance defect inspection

Back light source PHFS Series



Product feature

- High density LED distributed at the bottom of the light source
- Good uniformity, soft and natural light, high brightness
- Flexible size, convenient customization, wide range of applications
- Various installation method in order to convenience for customer to install
- Special optics material design, simple structure, can eliminate the shadow

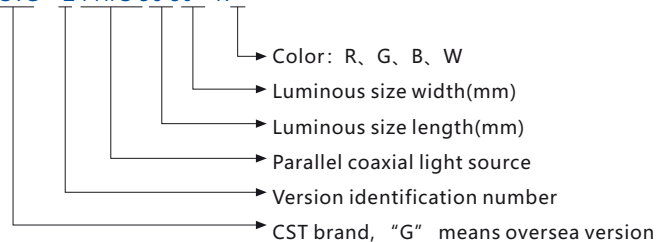
Application

- High precision dimension measuring
- Inspection the foreign matter on metal surface
- Inspection the glue on the metal surface
- Glass vessel inspection
- Screen positioning and fitting
- Optical fiber para position
- Hardware products measuring
- Spring interval measuring
- Inspection whether through hole is available
- Mobile Phone light guide plate inspection
- Infusion apparatus package inspection
- Sound water drop inspection

CSTG No.

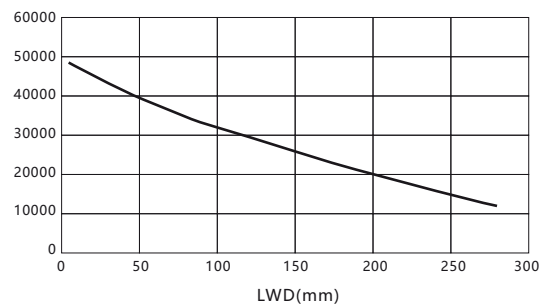
Back light source (CSTG-PHFS Series)

CSTG - 2 PHFS 50 50 - R



Illuminance graph

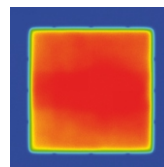
CSTG-PHFS150100-B



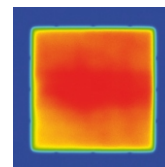
Uniform chart of light source

LWD=100mm

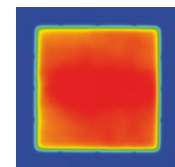
FOV: 140×140mm



CSTG-PHFS100100-B



CSTG-PHFS100100-R



CSTG-PHFS100100-W

Wave length/color temp	Red	620-630 nm	IR	850-940 nm
	Blue	465-475 nm	UV	365-405 nm
	White	6000-6500K	Green	520-530 nm
Storage environment	Temperature	-20-60°C	Humidity	20-85%RH(Non-condensation)
Using environment		0-40°C		
Option accessories	Extension cable			
Controller	CSTG-DPS series, CSTG-APS series, CSTG-SPS series (The selected controller should match the power of the light source)			
Service life	When the environment at 25°C, the red color works continuously for 60000 hours with 50% illumination,the decrement at 50%			
	When the environment at 25°C, the white color works continuously for 30000 hours with 50% illumination,the decrement at 50%			
Quality assurance	CSTG products shipped out within 1 year, the fault not caused by personal reason, will provide free maintenance or replacement services			

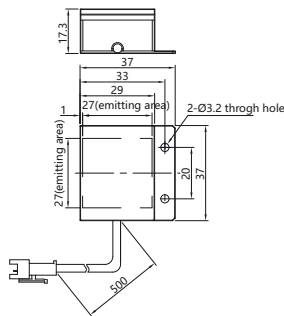
Specification

Item	CSTG No.	Color	Power(W)		Luminous size(mm)	Overall size(mm)			Recommended controller
			R	G/B/W		L	W	H	
1	CSTG-PHFS2727-R/G/B/W	●●●○	0.9	1.7	27×27	37	37	17.3	CSTG-DPS, CSTG-APS, CSTG-SPS
2	CSTG-PHFS4828-R/G/B/W	●●●○	1.3	1.7	48×28	58	30	20.6	CSTG-DPS, CSTG-APS, CSTG-SPS
3	CSTG-PHFS5050-R/G/B/W	●●●○	3	3	50×50	78	64	21.5	CSTG-DPS, CSTG-APS, CSTG-SPS
4	CSTG-PHFS10050-R/G/B/W	●●●○	3.8	5.5	100×50	140	70	21.5	CSTG-DPS, CSTG-APS, CSTG-SPS
5	CSTG-PHFS100100-R/G/B/W	●●●○	8.9	11	100×100	135	115	22	CSTG-DPS, CSTG-APS, CSTG-SPS
6	CSTG-PHFS120120-R/G/B/W	●●●○	11	12	120×120	155	135	21	CSTG-DPS, CSTG-APS, CSTG-SPS
7	CSTG-PHFS150100-R/G/B/W	●●●○	11	16	150×100	180	114	20	CSTG-DPS, CSTG-APS, CSTG-SPS
8	CSTG-PHFS200200-R/G/B/W	●●●○	26	42	200×200	234	214	21.5	CSTG-DPS, CSTG-APS, CSTG-SPS
9	CSTG-PHFS228158-R/G/B/W	●●●○	24	34	228×158	240	170	21.5	CSTG-DPS, CSTG-APS, CSTG-SPS
10	CSTG-PHFS250250-R/G/B/W	●●●○	38	48	250×250	285	265	24	CSTG-DPS, CSTG-APS, CSTG-SPS
11	CSTG-2PHFS2727-R/G/B/W	●●●○	0.9	1.7	27×27	39	41	18	CSTG-DPS, CSTG-APS, CSTG-SPS
12	CSTG-2PHFS5050-R/G/B/W	●●●○	3	3	50×50	64	64	21	CSTG-DPS, CSTG-APS, CSTG-SPS
13	CSTG-2PHFS100100-R/G/B/W	●●●○	8.9	11	100×100	114	114	21	CSTG-DPS, CSTG-APS, CSTG-SPS
14	CSTG-2PHFS180150-R/G/B/W	●●●○	20	34	180×150	194	164	21	CSTG-DPS, CSTG-APS, CSTG-SPS
15	CSTG-2PHFS300200-R/G/B/W	●●●○	36	51	300×200	314	214	21	CSTG-DPS, CSTG-APS, CSTG-SPS

Product dimension drawing(mm)

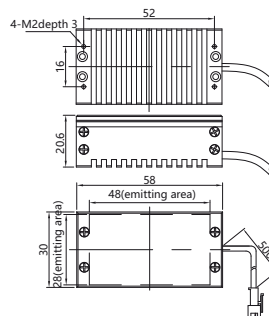
CSTG-PHFS2727

1



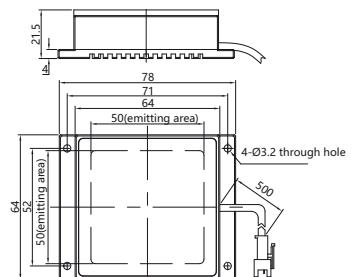
CSTG-PHFS4828

2



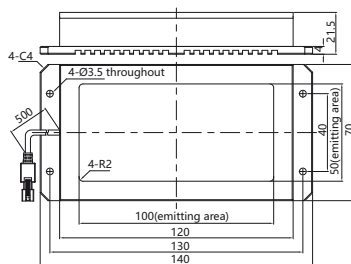
CSTG-PHFS5050

3



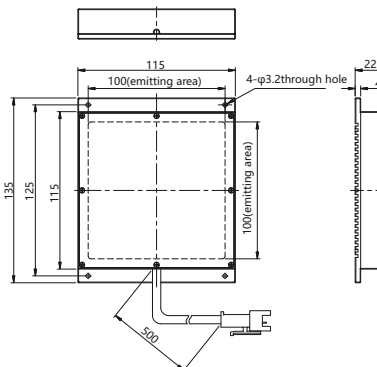
CSTG-PHFS10050

4



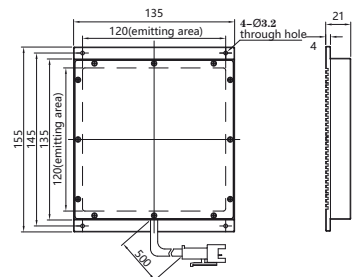
CSTG-PHFS100100

5



CSTG-PHFS120120

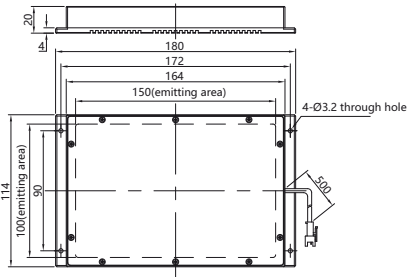
6



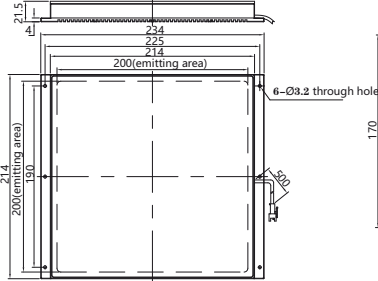
Back light source PHFS series

Product dimension drawing(mm)

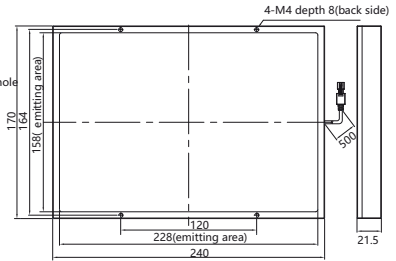
CSTG-PHFS150100 7



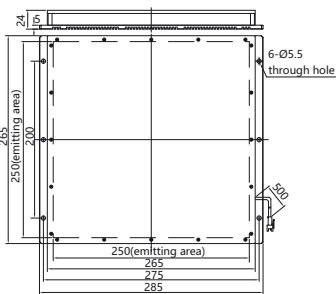
CSTG-PHFS200200 8



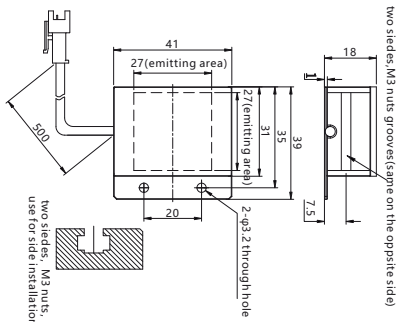
CSTG-PHFS228158 9



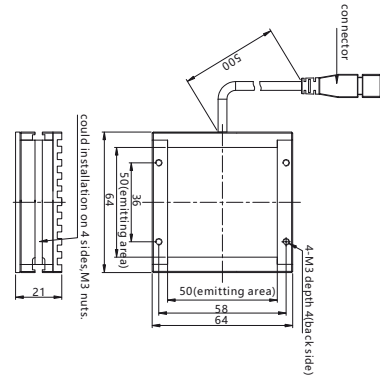
CSTG-PHFS250250 10



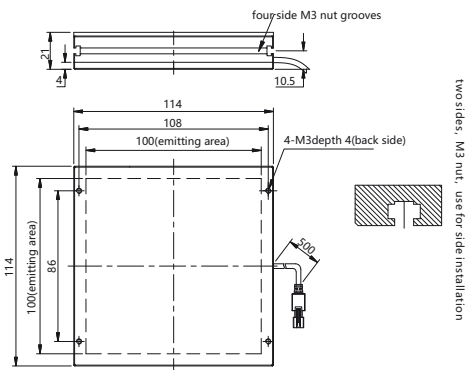
CSTG-2PHFS2727 11



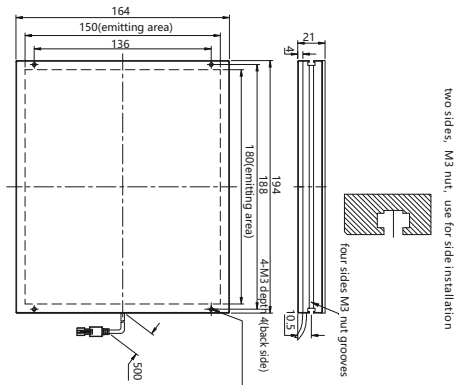
CSTG-2PHFS5050 12



CSTG-2PHFS100100 13



CSTG-2PHFS180150 14



CSTG-2PHFS300200 15

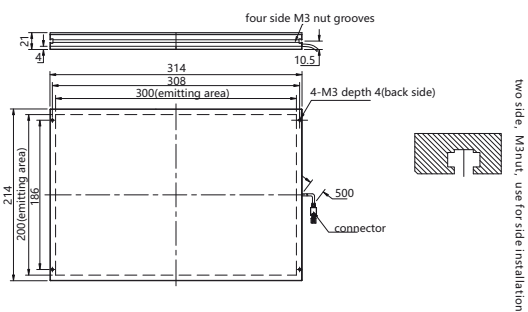
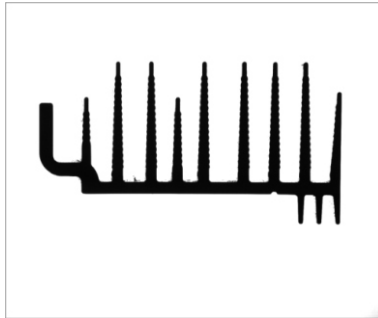


Image cases



CSTG-PHFS100100-W
Measurement the outermost contour size of the workpiece



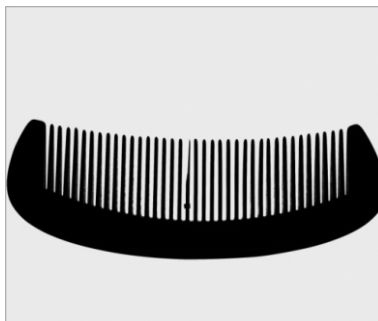
CSTG-PHFS150100-B
Metal dimension inspection



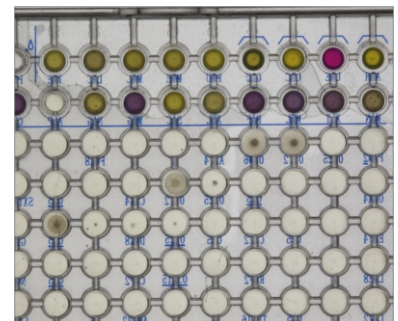
CSTG-PHFS150100-B
Lithium battery Positioning



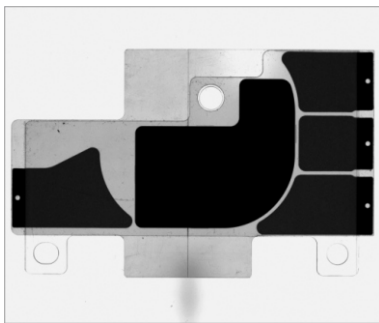
CSTG-PHFS150100-B
Accurate measurement of screen edge size



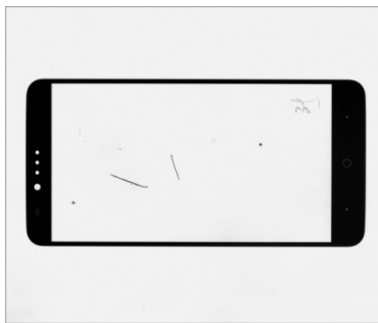
CSTG-PHFS180150-W
Comb inspection



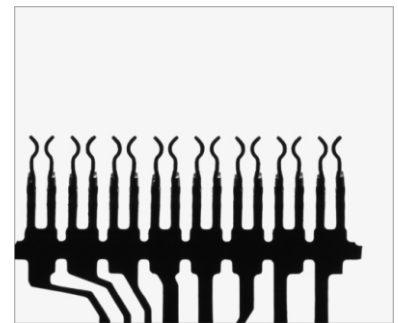
CSTG-PHFS180150-W
Inspection the foreign material in cartridge hole



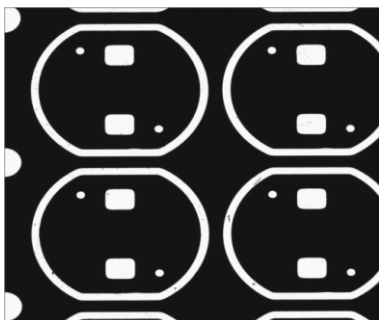
CSTG-PHFS300200-B
Mobile phone film position offset inspection



CSTG-PHFS300200-B
Mobile phone edge dimension inspection



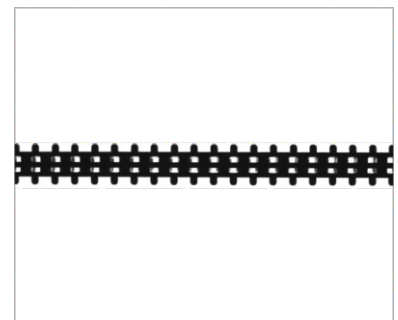
CSTG-PHFS300200-B
Pin spacing inspection



CSTG-PHFS300200-B
Inspection the size for sheet steel

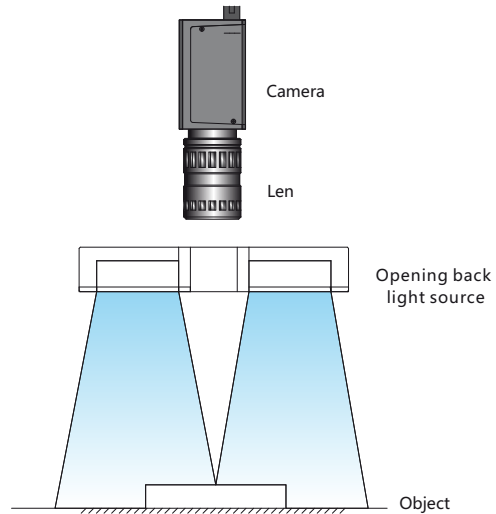
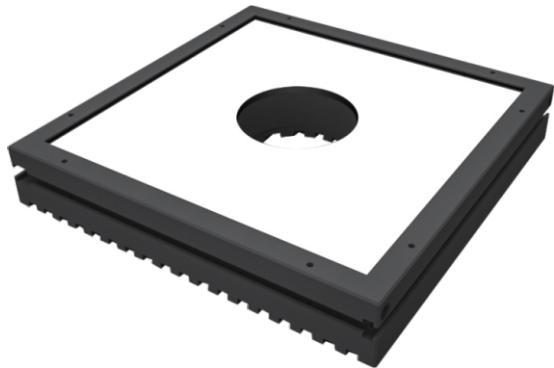


CSTG-PHFS150100-B
QR code recognition



CSTG-PHFS150100-B
Measurement of terminal spacing

Back light source KHFS Series



Product feature

- High density LED distributed at the bottom of the light source
- Good uniformity, soft and natural light, high brightness
- Flexible size, convenient customization, wide range of applications (could open square hole or round hole)
- A variety of installation methods, easy to install

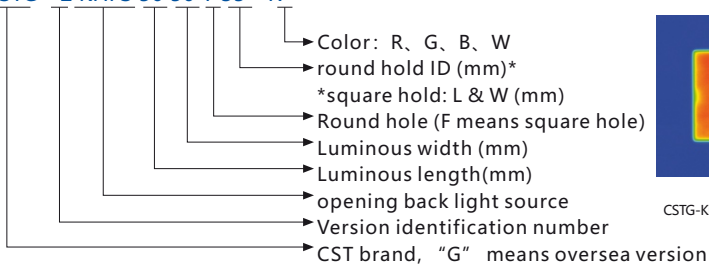
Application

- Ceramic surface pattern inspection
- Tablet appearance inspection
- Carton positioning
- Compressor surface defect inspection
- Key character recognition of remote control
- LED substrates inspection
- Inspection the external contour edge positioning

CSTG No.

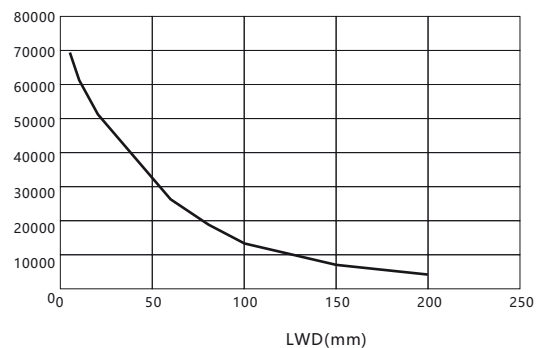
Opening back light source(CSTG-KHFS Series)

CSTG - 2 KHFS 50 50 Y 35 - R



Illuminance graph

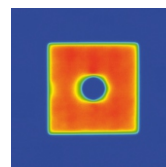
CSTG-KHFS150150F1815-W



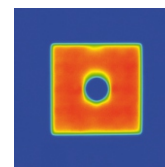
Uniform chart of light source

LWD=100mm

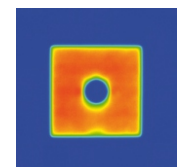
FOV: 200×200mm



CSTG-KHFS165165Y35-B



CSTG-KHFS165165Y35-R



CSTG-KHFS165165Y35-W

Wave length/color temp	Red	620-630 nm	IR	850-940 nm
	Blue	465-475 nm	UV	365-405 nm
	White	6000-6500K	Green	520-530 nm
Storage environment	Temperature	-20-60°C	Humidity	20-85%RH(Non-condensation)
Using environment		0-40°C		
Option accessories	Extension cable			
Controller	CSTG-DPS series, CSTG-APS series, CSTG-SPS series (The selected controller should match the power of the light source)			
Service life	When the environment at 25°C, the red color works continuously for 60000 hours with 50% illumination,the decrement at 50%			
	When the environment at 25°C, the white color works continuously for 30000 hours with 50% illumination,the decrement at 50%			
Quality assurance	CSTG products shipped out within 1 year, the fault not caused by personal reason, will provide free maintenance or replacement services			

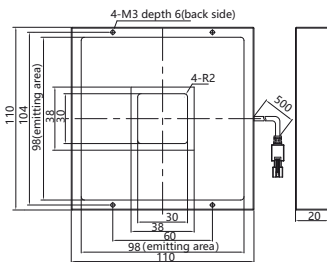
Specification

Item	CSTG No.	Color	Power(W)		Luminous size(mm)	Overall size(mm)			Recommended controller
			R	G/B/W		L	W	H	
1	CSTG-KHFS9898F30-R/G/B/W	●●●●○	5.5	9.7	98×98	110	110	20	CSTG-DPS, CSTG-APS, CSTG-SPS
2	CSTG-KHFS10585Y20-R/G/B/W	●●●●○	5.9	8.4	105×85	120	120	19	CSTG-DPS, CSTG-APS, CSTG-SPS
3	CSTG-KHFS120120Y35-R/G/B/W	●●●●○	8.4	13	120×120	155	135	19	CSTG-DPS, CSTG-APS, CSTG-SPS
4	CSTG-KHFS190130F30-R/G/B/W	●●●●○	19	26	190×130	206	146	24	CSTG-DPS, CSTG-APS, CSTG-SPS
5	CSTG-KHFS200100Y35-R/G/B/W	●●●●○	12	17	200×100	214	134	19	CSTG-DPS, CSTG-APS, CSTG-SPS
6	CSTG-KHFS250200Y35-R/G/B/W	●●●●○	35	49	250×200	266	216	24	CSTG-DPS, CSTG-APS, CSTG-SPS
7	CSTG-KHFS250250Y50-R/G/B/W	●●●●○	36	51	250×250	285	265	20	CSTG-DPS, CSTG-APS, CSTG-SPS
8	CSTG-KHFS320320Y50-R/G/B/W	●●●●○	59	81	320×320	365	335	21	CSTG-HAPS(Φ12)
9	CSTG-KHFS350350Y50-R/G/B/W	●●●●○	73	105	350×350	366	366	24	CSTG-HAPS(Φ12)
10	CSTG-2KHFS180150Y35-R/G/B/W	●●●●○	17	24	180×150	194	164	19	CSTG-DPS, CSTG-APS, CSTG-SPS
11	CSTG-2KHFS300200Y35-R/G/B/W	●●●●○	38	54	300×200	314	214	19	CSTG-DPS, CSTG-APS, CSTG-SPS

Product dimension drawing(mm)

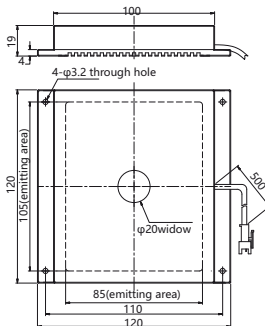
CSTG-KHFS9898F30

1



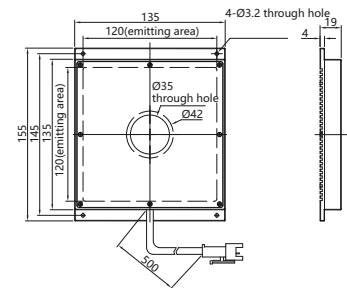
CSTG-KHFS10585Y20

2



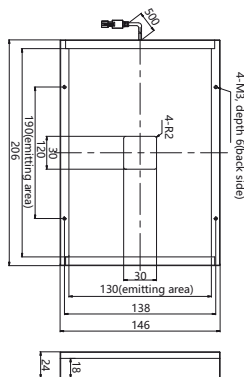
CSTG-KHFS120120Y35

3



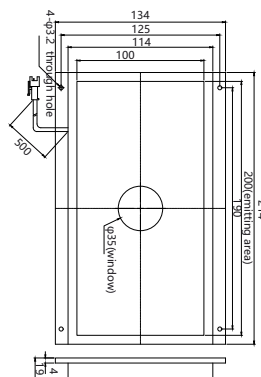
CSTG-KHFS190130F30

4



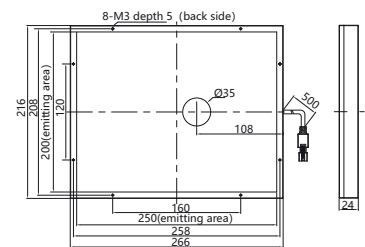
CSTG-KHFS200100Y35

5



CSTG-KHFS250200Y35

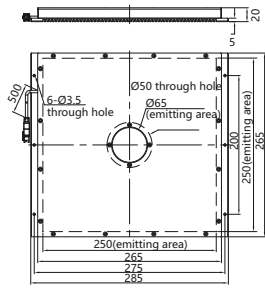
6



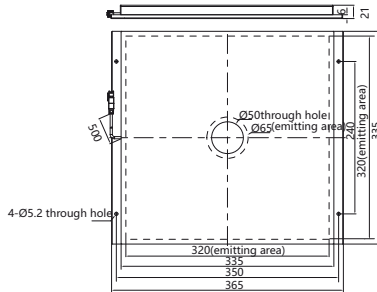
Back light source KHFS series

Product dimension drawing(mm)

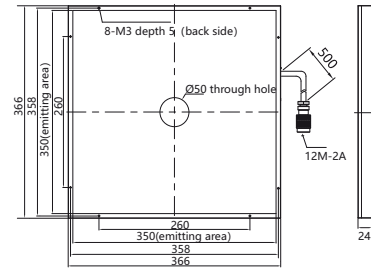
CSTG-KHFS250250Y50 7



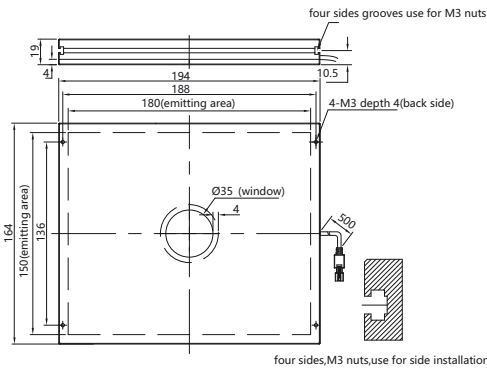
CSTG-KHFS320320Y50 8



CSTG-KHFS350350Y50 9



CSTG-2KHFS180150Y35 10



CSTG-2KHFS300200Y35 11

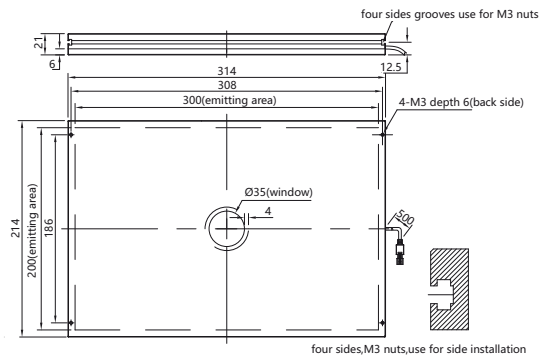
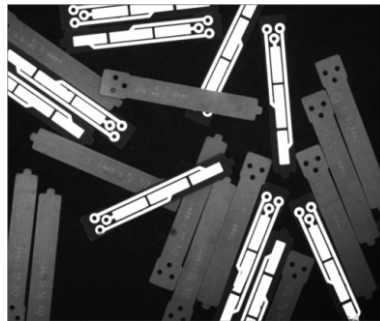


Image case



CSTG-KHFS200200Y35-W
Inspection the accessories of mobile phone



CSTG-KHFS250200Y35-W
Inspection the front side and back side of workpiece



CSTG-2KHFS300200Y35-B
Inspection the character on the back side of the mobile phone



CSTG-2KHFS300200Y35-B
Inspection the accessories of mobile phone

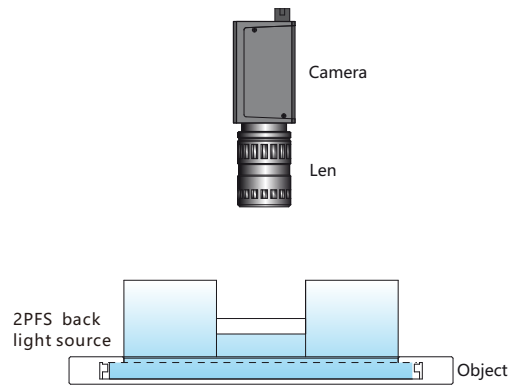


CSTG-KHFS350350Y50-W
Inspection if there have roller ball



CSTG-KHFS350350Y50-W
Hardware positioning inspection

Back light source 2FS Series



Product feature

- multilateral lights make the overall uniformity
- Ultra-thin design, can meet different installation space requirements
- Flexible size, convenient customization, wide range of applications
- Various installation method in order to convenience to install

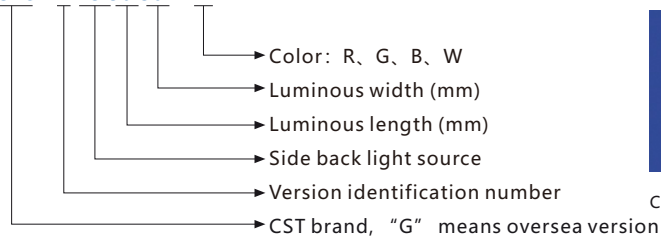
Application

- Liquid level inspection
- Dimension measurement
- Liquid foreign matter inspection
- Burr inspection for metal profile
- Appearance inspection
- Dimension measuring for workpiece
- Inspection for surface scratches of transparent objects and internal foreign matter
- Film stain inspection
- Inspection the crack of window seal strip

CSTG No.

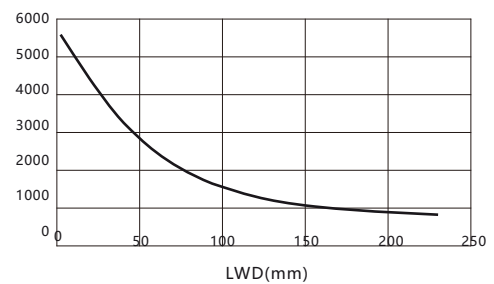
Back light source(CSTG-2FS Series)

CSTG - 2 FS 50 50 - R



Illuminance graph

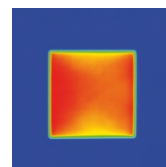
CSTG-2FS100100-W



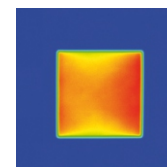
Uniform chart of light source

LWD=100mm

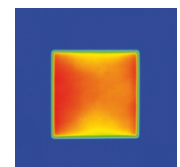
FOV: 140×140mm



CSTG-2FS100100-B



CSTG-2FS100100-R



CSTG-2FS100100-W

Wave length/color temp	Red	620-630 nm	IR	850-940 nm
	Blue	465-475 nm	UV	365-405 nm
	White	6000-6500K	Green	520-530 nm
Storage environment	Temperature	-20-60°C	Humidity	20-85%RH(Non-condensation)
Using environment		0-40°C		
Option accessories	Extension cable			
Controller	CSTG-DPS series, CSTG-APS series, CSTG-SPS series (The selected controller should match the power of the light source)			
Service life	When the environment at 25°C, the red color works continuously for 60000 hours with 50% illumination,the decrement at 50% When the environment at 25°C, the white color works continuously for 30000 hours with 50% illumination,the decrement at 50%			
Quality assurance	CSTG products shipped out within 1 year, the fault not caused by personal reason, will provide free maintenance or replacement services			

Back light source 2FS Series

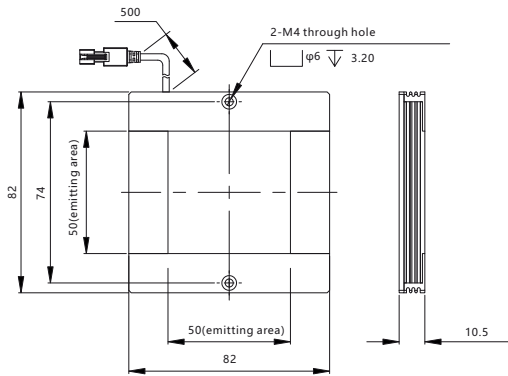
Specification

Item	CSTG No.	Color	Power(W)		Luminous size(mm)	Overall size(mm)			Recommended controller
			R	G/B/W		L	W	H	
1	CSTG-2FS5050-R/G/B/W	● ● ● ●	5.6	9	50×50	82	82	10.5	CSTG-DPS, CSTG-APS, CSTG-SPS
2	CSTG-2FS100100-R/G/B/W	● ● ● ●	12	14	100×100	132	132	10.5	CSTG-DPS, CSTG-APS, CSTG-SPS
3	CSTG-2FS150150-R/G/B/W	● ● ● ●	17	18	150×150	182	182	10.5	CSTG-DPS, CSTG-APS, CSTG-SPS
4	CSTG-2FS200150-R/G/B/W	● ● ● ●	23	23	200×150	232	182	10.5	CSTG-DPS, CSTG-APS, CSTG-SPS
5	CSTG-2FS200200-R/G/B/W	● ● ● ●	23	23	200×200	232	232	10.5	CSTG-DPS, CSTG-APS, CSTG-SPS
6	CSTG-2FL250200-R/G/B/W	● ● ● ●	28	27	250×200	282	232	10.5	CSTG-DPS, CSTG-APS, CSTG-SPS
7	CSTG-2FS268168-R/G/B/W	● ● ● ●	28	32	268×168	300	200	10.5	CSTG-DPS, CSTG-APS, CSTG-SPS
8	CSTG-2FS300200-R/G/B/W	● ● ● ●	28	32	300×200	332	232	10.5	CSTG-DPS, CSTG-APS, CSTG-SPS
9	CSTG-2FS320320-R/G/B/W	● ● ● ●	34	36	320×320	352	352	10.5	CSTG-DPS, CSTG-APS, CSTG-SPS
10	CSTG-2FS400300-R/G/B/W	● ● ● ●	54	56	400×300	432	332	10.5	CSTG-DPS, CSTG-APS, CSTG-SPS
11	CSTG-2FS450350-R/G/B/W	● ● ● ●	49	56	450×350	482	382	10.5	CSTG-DPS, CSTG-APS, CSTG-SPS
12	CSTG-2FS568568-R/G/B/W	● ● ● ●	56	79	568×568	600	600	12.5	CSTG-DPS, CSTG-APS, CSTG-SPS
13	CSTG-2FS600400-R/G/B/W	● ● ● ●	68	79	600×400	632	432	11.5	CSTG-DPS, CSTG-APS, CSTG-SPS

Product dimension drawing(mm)

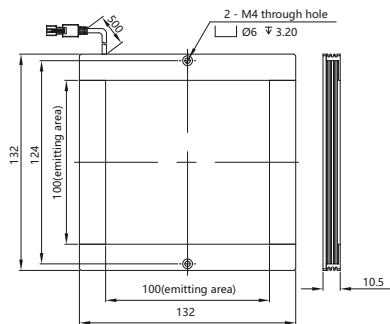
CSTG-2FS5050

1



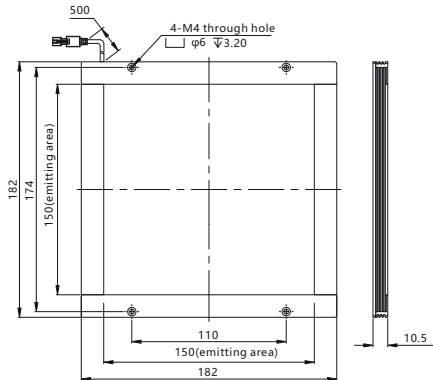
CSTG-2FS100100

2



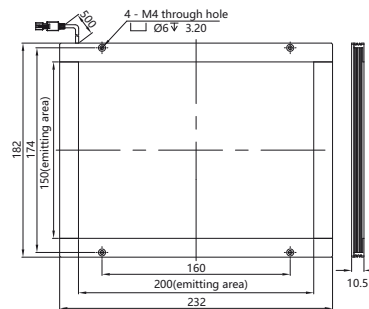
CSTG-2FS150150

3



CSTG-2FS200150

4

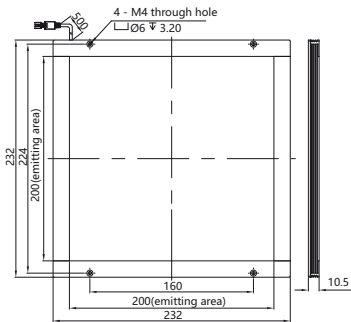


Back light source 2FS series

Product dimension drawing(mm)

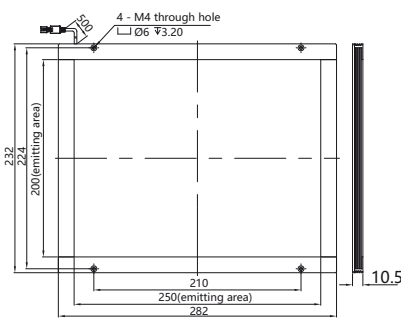
CSTG-2FS200200

5



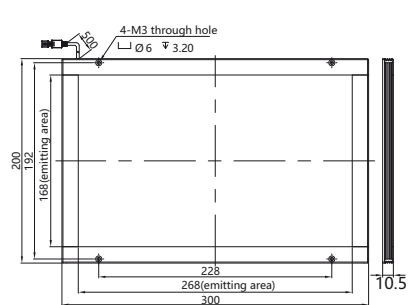
CSTG-2FS250200

6



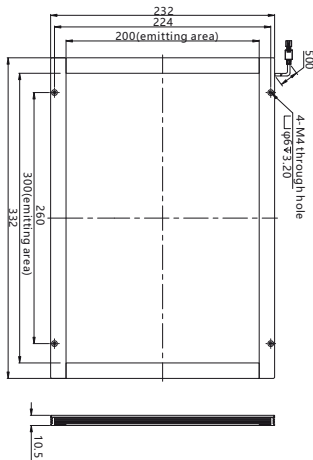
CSTG-2FS268168

7



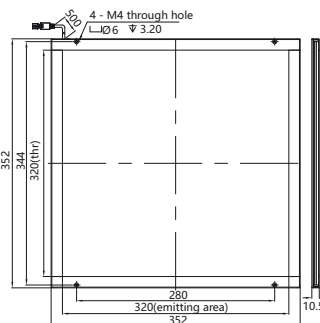
CSTG-2FS300200

8



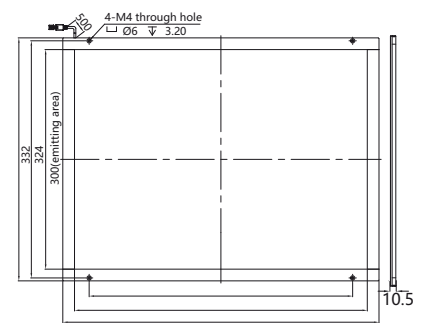
CSTG-2FS320320

9



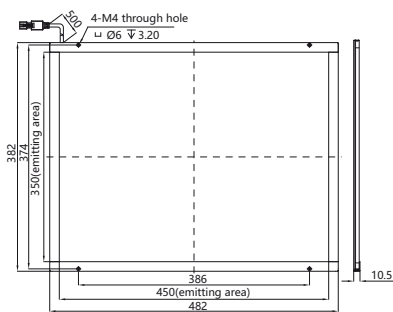
CSTG-2FS400300

10



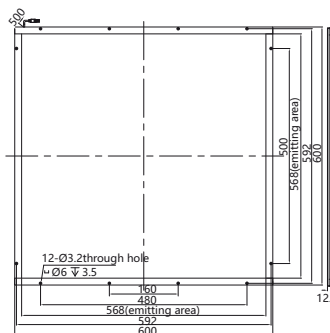
CSTG-2FS450350

11



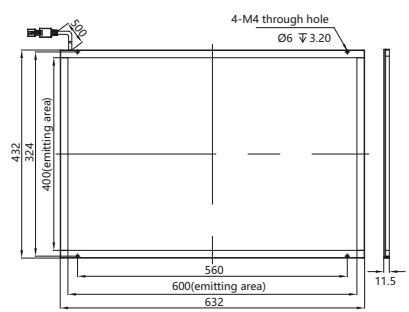
CSTG-HFS568568

12



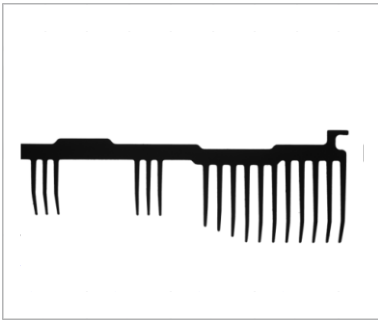
CSTG-2FS600400

13

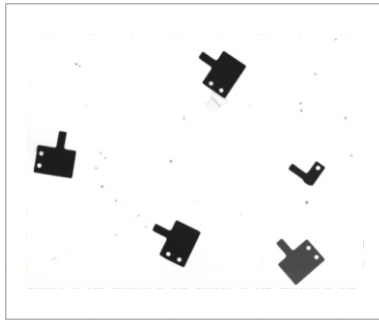


Back light source 2FS series

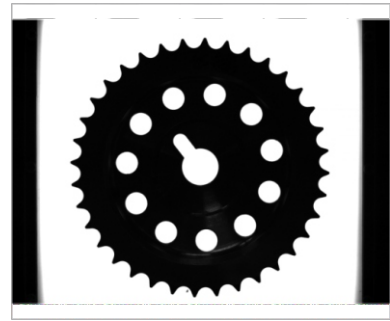
Image cases



CSTG-2FS100100-B
Measurement of hardware dimensions



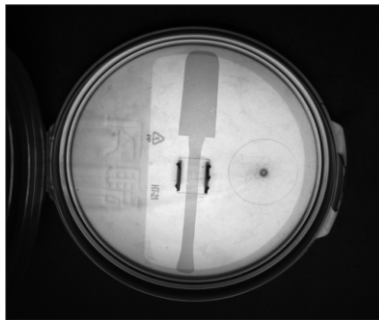
CSTG-2FS150100-R
label positioning inspection



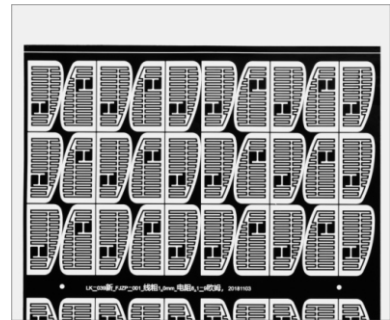
CSTG-2FS300200-B
Gear dimension inspection



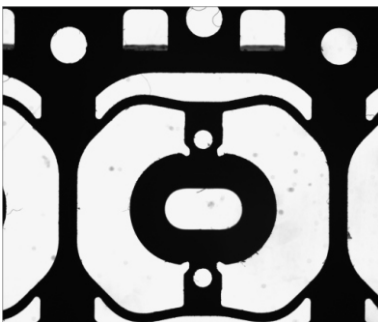
CSTG-2FS300200-W
Copper hole I



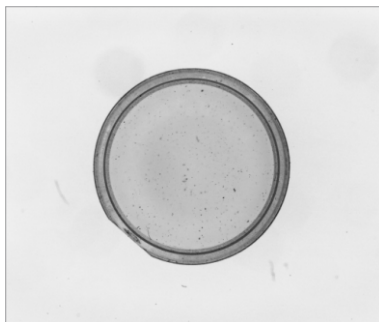
CSTG-2FS300300-W
Milk powder cover positioning inspection



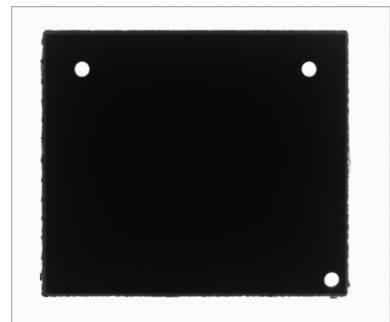
CSTG-2FS400300-W
Resistance defect inspection



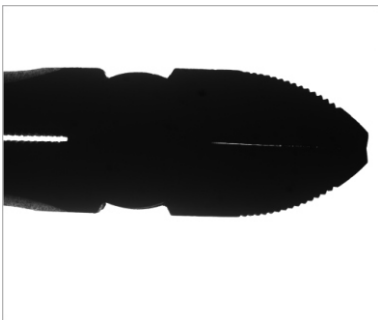
CSTG-2FS5050-B
Inspection the dimension for metal parts



CSTG-2FS100100-B
Inspection the defect for Lens



CSTG-2FS100100-B
PCB hole positioning



CSTG-2FS100100-B
Nipper pliers gap inspection

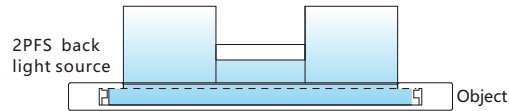
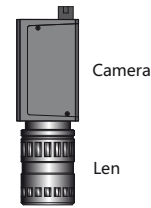


CSTG-2FS300200-W
Cell phone film hole inspection



CSTG-2FS400300-W
Measurement of insoles

Back light source 2PFS Series



Product feature

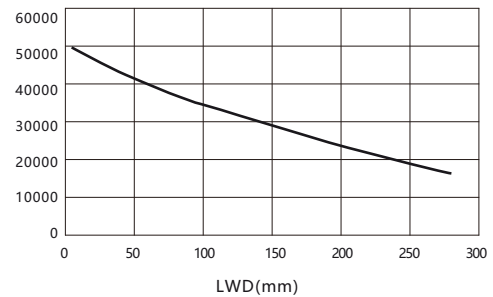
- Multilateral lights make the overall uniformity
- Ultra-thin design, can meet different installation space requirements
- Ultra-thin design, can meet different installation space requirements
- Various installation method in order to convenience to install
- Special optics material design, simple structure, can eliminate the shadow

Application

- High precision dimension measuring
- Inspection the foreign matter on metal surface
- Inspection the glue on the metal surface
- Glass vessel inspection
- Screen positioning and fitting
- Optical fiber para position
- Hardware products measuring
- Spring interval measuring
- Inspection whether through hole is available
- Mobile Phone light guide plate inspection
- Infusion apparatus package inspection
- Sound water drop inspection

Illuminance graph

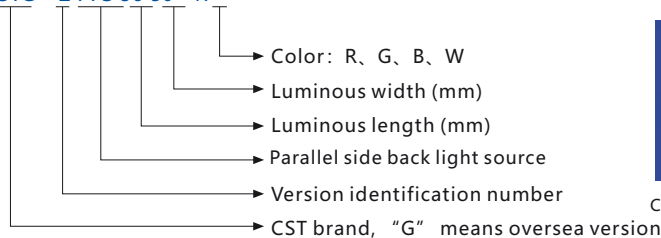
CSTG-2PFS100100-W



CSTG No.

Back light source (CSTG-2PFS Series)

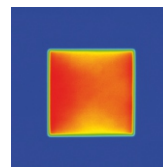
CSTG - 2 PFS 50 50 - R



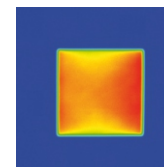
Uniform chart of light source

LWD=100mm

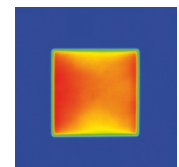
FOV: 140×140mm



CSTG-2PFS100100-B



CSTG-2PFS100100-R



CSTG-2PFS100100-W

Wave length/color temp	Red	620-630 nm	IR	850-940 nm
	Blue	465-475 nm	UV	365-405 nm
	White	6000-6500K	Green	520-530 nm
Storage environment	Temperature	-20-60°C	Humidity	20-85%RH(Non-condensation)
Using environment		0-40°C		
Option accessories	Extension cable			
Controller	CSTG-DPS series, CSTG-APS series, CSTG-SPS series (The selected controller should match the power of the light source)			
Service life	When the environment at 25°C, the red color works continuously for 60000 hours with 50% illumination,the decrement at 50%			
	When the environment at 25°C, the white color works continuously for 30000 hours with 50% illumination,the decrement at 50%			
Quality assurance	CSTG products shipped out within 1 year, the fault not caused by personal reason, will provide free maintenance or replacement services			

Back light source 2PFS Series

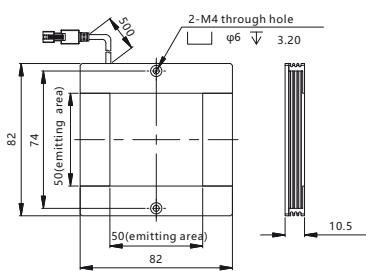
Specification

Item	CSTG No.	Color	Power(W)		Luminous size(mm)	Overall size(mm)			Recommended controller
			R	G/B/W		L	W	H	
1	CSTG-2PFS5050-R/G/B/W	●●●○	5.6	9	50×50	82	82	10.5	CSTG-DPS、CSTG-APS、CSTG-SPS
2	CSTG-2PFS9090-R/G/B/W	●●●○	12	12	90×90	122	122	10.5	CSTG-DPS、CSTG-APS、CSTG-SPS
3	CSTG-2PFS100100-R/G/B/W	●●●○	12	14	100×100	132	132	10.5	CSTG-DPS、CSTG-APS、CSTG-SPS
4	CSTG-2PFS150150-R/G/B/W	●●●○	17	18	150×150	182	182	10.5	CSTG-DPS、CSTG-APS、CSTG-SPS
5	CSTG-2PFS200200-R/G/B/W	●●●○	23	23	200×200	232	232	10.5	CSTG-DPS、CSTG-APS、CSTG-SPS
6	CSTG-2PFS250200-R/G/B/W	●●●○	28	27	250×200	282	232	10.5	CSTG-DPS、CSTG-APS、CSTG-SPS
7	CSTG-2PFS320320-R/G/B/W	●●●○	34	36	320×320	352	352	10.5	CSTG-DPS、CSTG-APS、CSTG-SPS
8	CSTG-2PFS400300-R/G/B/W	●●●○	54	56	400×300	432	332	10.5	CSTG-DPS、CSTG-APS、CSTG-SPS
9	CSTG-2PFS600400-R/G/B/W	●●●○	68	79	600×400	632	432	11.5	CSTG-DPS、CSTG-APS、CSTG-SPS

Product dimension drawing(mm)

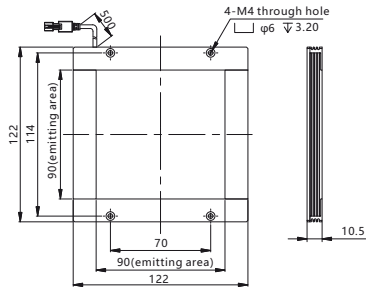
CSTG-2PFS5050

1



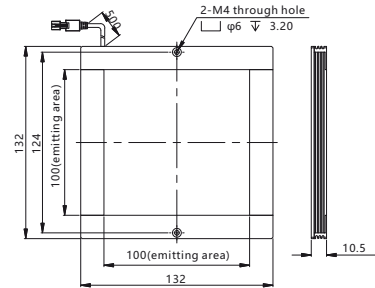
CSTG-2PFS9090

2



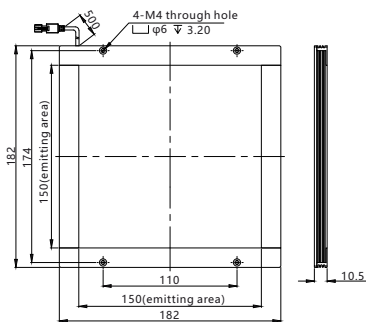
CSTG-2PFS100100

3



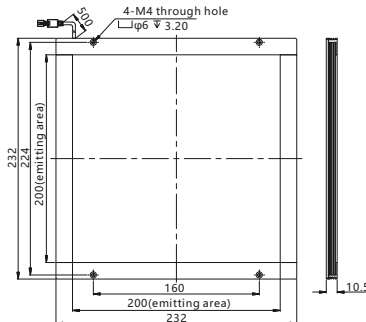
CSTG-2PFS150150

4



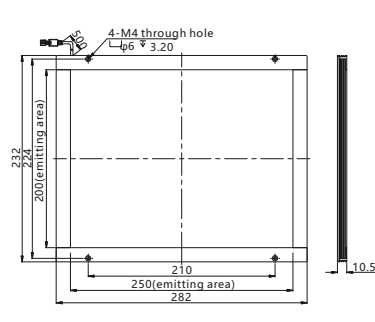
CSTG-2PFS200200

5



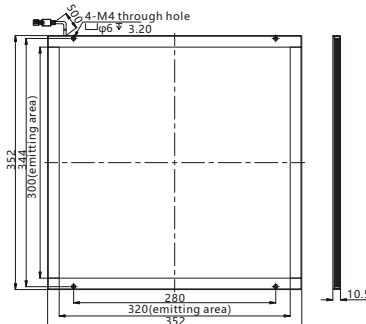
CSTG-2PFS250200

6



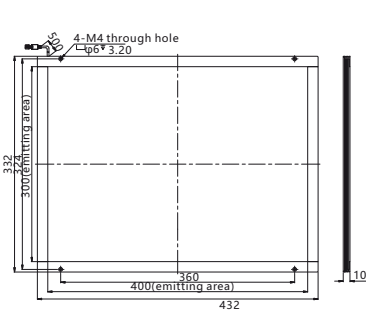
CSTG-2PFS320320

7



CSTG-2PFS400300

8



CSTG-2PFS600400

9

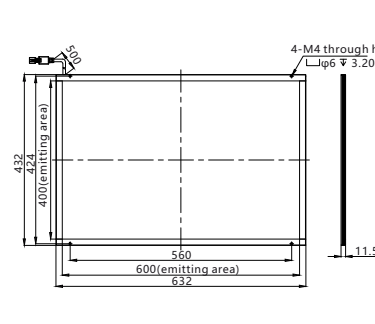
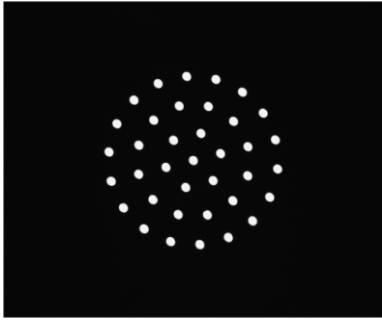
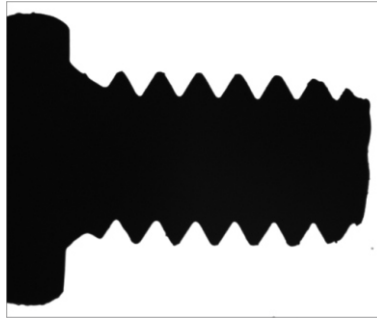


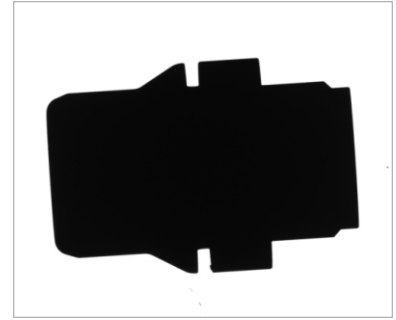
Image cases



CSTG-2PFS5050-B
Sensor position hole inspection



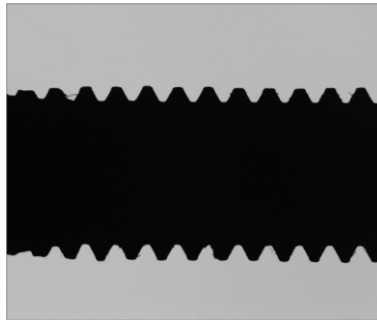
CSTG-2PFS5050-B
Thread spacing measurement



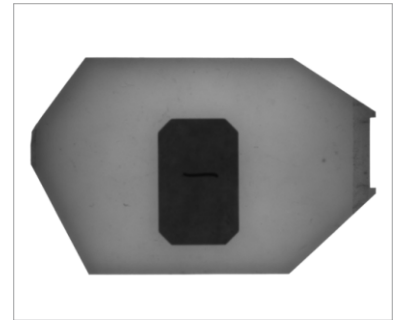
CSTG-2PFS5050-B
Cylinder dimension measurement



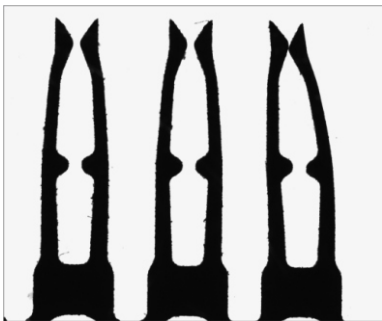
CSTG-2PFS5050-B
Pin spacing inspection



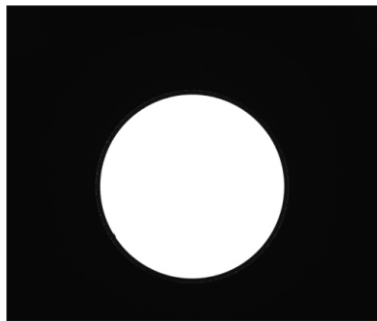
CSTG-2PFS5050-B
Screw spacing measurement



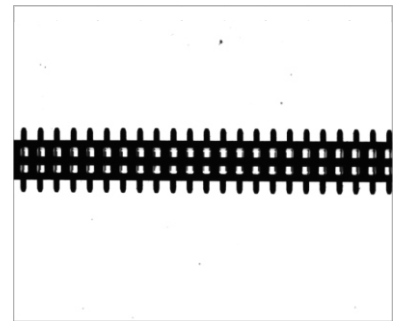
CSTG-2PFS100100-B
Measurement of the outermost contour size of the workpiece



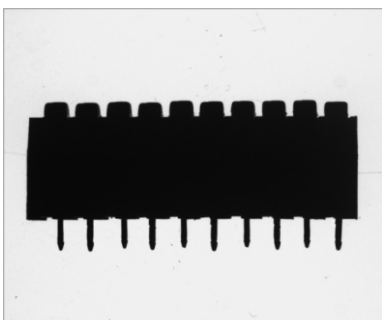
CSTG-2PFS100100-B
USB burr inspection



CSTG-2PFS100100-B
Gear inner circle dimension measurement



CSTG-2PFS100100-B
Terminal spacing measurement



CSTG-2PFS100100-B
Flatness inspection

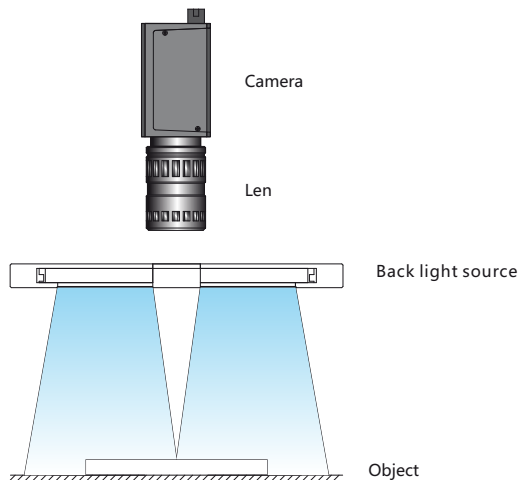


CSTG-2PFS100100-B
Measurement of the outermost contour size of the workpiece



CSTG-2PFS100100-B
Cylindrical inner and outer diameters measurement

Back light source 2KFS Series



Product feature

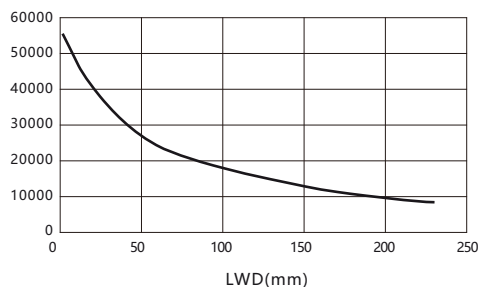
- Multilateral lights make the overall uniformity
- Ultra-thin design, can meet different installation space requirements
- Flexible size, convenient customization, wide range of applications (could open square hole & round hole)
- Various installation method in order to convenience to install

Application

- Ceramic surface pattern inspection
- Tablet appearance inspection
- Carton positioning
- Compressor surface defect inspection
- Key character recognition of remote control
- LED substrates inspection
- Inspection the external contour edge positioning

Illuminance graph

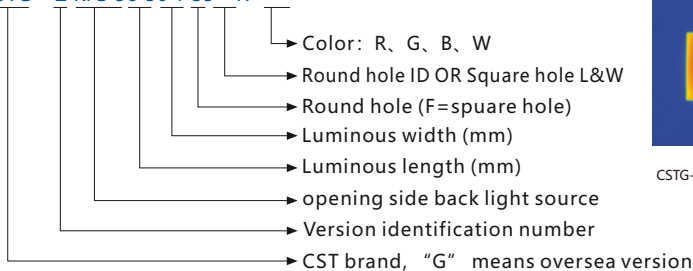
CSTG-2KFS268168Y35-W



CSTG No.

Opening side back light source (CSTG-KFS Series)

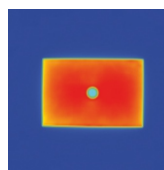
CSTG - 2 KFS 50 50 Y 35 - R



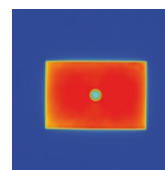
Uniform chart of light source

LWD=100mm

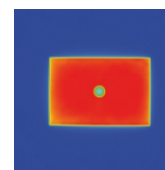
FOV: 320×320mm



CSTG-2KFS268168Y35-B



CSTG-2KFS268168Y35-R



CSTG-2KFS268168Y35-W

Wave length/color temp	Red	620-630 nm	IR	850-940 nm
	Blue	465-475 nm	UV	365-405 nm
	White	6000-6500K	Green	520-530 nm
Storage environment	Temperature	-20-60°C	Humidity	20-85%RH(Non-condensation)
Using environment		0-40°C		
Option accessories	Extension cable			
Controller	CSTG-DPS series, CSTG-APS series, CSTG-SPS series (The selected controller should match the power of the light source)			
Service life	When the environment at 25°C, the red color works continuously for 60000 hours with 50% illumination,the decrement at 50%			
	When the environment at 25°C, the white color works continuously for 30000 hours with 50% illumination,the decrement at 50%			
Quality assurance	CSTG products shipped out within 1 year, the fault not caused by personal reason, will provide free maintenance or replacement services			

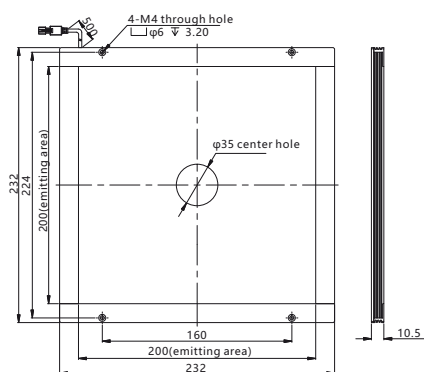
Specification

Item	CSTG No.	Color	Power(W)		Luminous size(mm)	Overall size(mm)			Recommended controller
			R	G/B/W		L	W	H	
1	CSTG-2KFS200200Y35-R/G/B/W	●●●○	23	23	200×200	232	232	10.5	CSTG-DPS, CSTG-APS, CSTG-SPS
2	CSTG-2KFS268168Y35-R/G/B/W	●●●○	28	32	268×168	300	200	10.5	CSTG-DPS, CSTG-APS, CSTG-SPS
3	CSTG-2KFS300200Y35-R/G/B/W	●●●○	28	32	300×200	332	232	10.5	CSTG-DPS, CSTG-APS, CSTG-SPS
4	CSTG-2KFS400300Y50-R/G/B/W	●●●○	54	56	400×300	432	332	10.5	CSTG-DPS, CSTG-APS, CSTG-SPS
5	CSTG-2KFS450400Y50-R/G/B/W	●●●○	36	49	450×400	482	432	10.5	CSTG-DPS, CSTG-APS, CSTG-SPS
6	CSTG-2KFS500350Y50-R/G/B/W	●●●○	54	68	500×350	532	382	10.5	CSTG-DPS, CSTG-APS, CSTG-SPS
7	CSTG-2KFS600450Y40-R/G/B/W	●●●○	68	79	600×450	632	482	11.5	CSTG-DPS, CSTG-APS, CSTG-SPS

Product dimension drawing (mm)

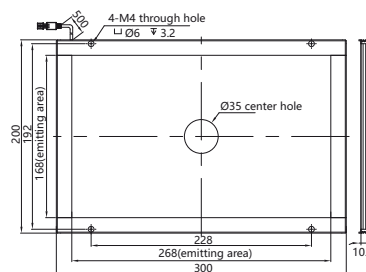
CSTG-2KFS200200Y35

1



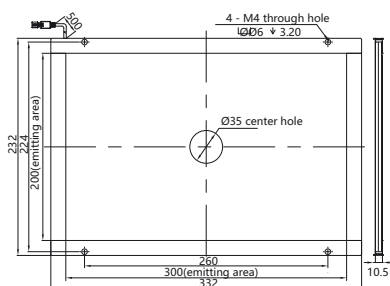
CSTG-2KFS268168Y35

2



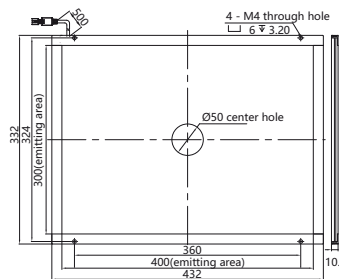
CSTG-2KFS300200Y35

3



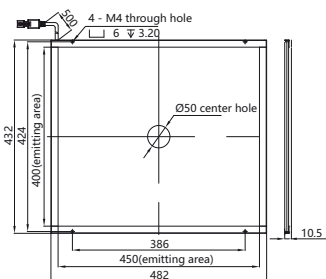
CSTG-2KFS400300Y50

4



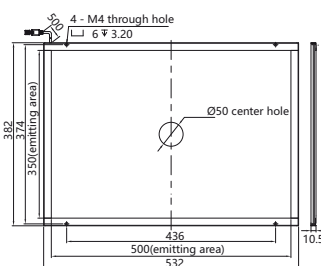
CSTG-2KFS450400Y50

5



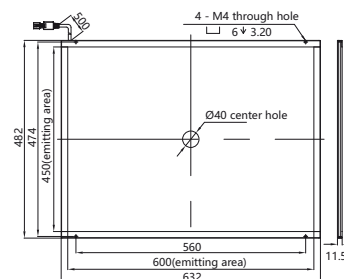
CSTG-2KFS500350Y50

6



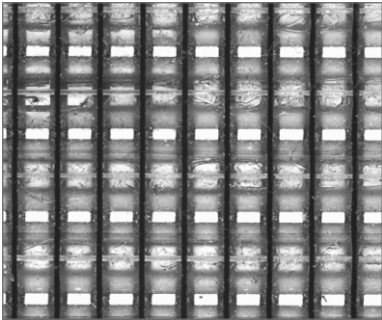
CSTG-2KFS600450Y40

7

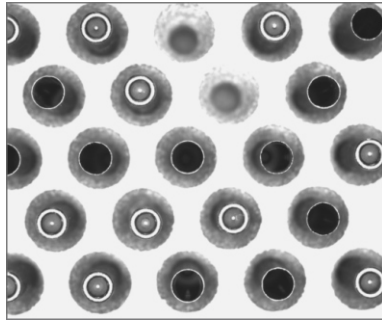


Back light source 2KFS Series

Image case



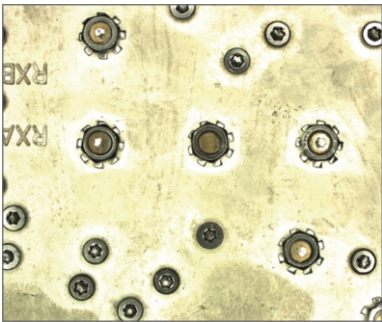
CSTG-2KFS200200Y35-W
Plastic block positioning inspection



CSTG-2KFS268168Y35-W
Inspection the front/back side and differential of detonator



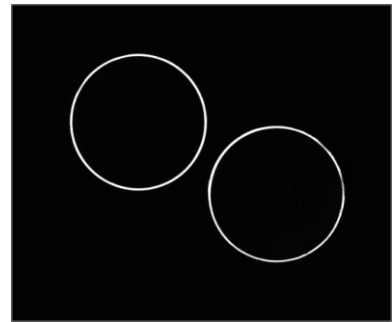
CSTG-2KFS400300Y50-R
Logo appearance defect inspection



CSTG-2KFS400300Y50-W
Inspection the number of screws on the surface of large server



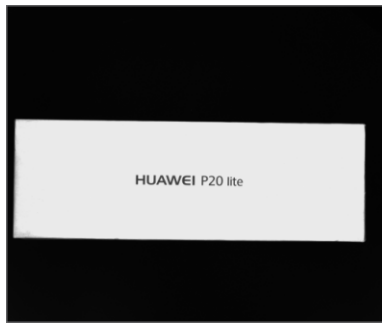
CSTG-2KFS600400Y35-W
Disposable plate surface dirty inspection



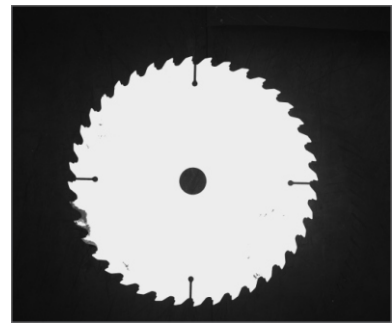
CSTG-2KFS600450Y50-W
Metal positioning inspection



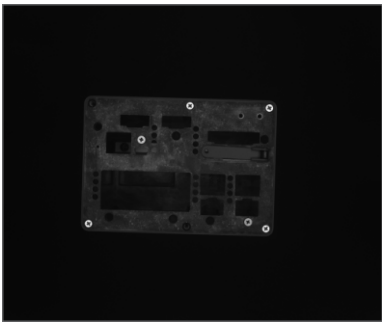
CSTG-2KFS268168Y35-W
Cake dirty inspection



CSTG-2KFS300200-B
Huawei mobile phone box character inspection



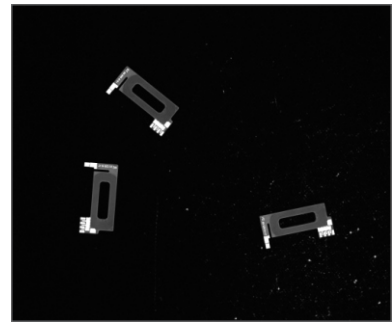
CSTG-2KFS400300Y50-R
Hardware front/back side discrimination and positioning inspection



CSTG-2KFS500430Y45-W
Inspection if there is screw

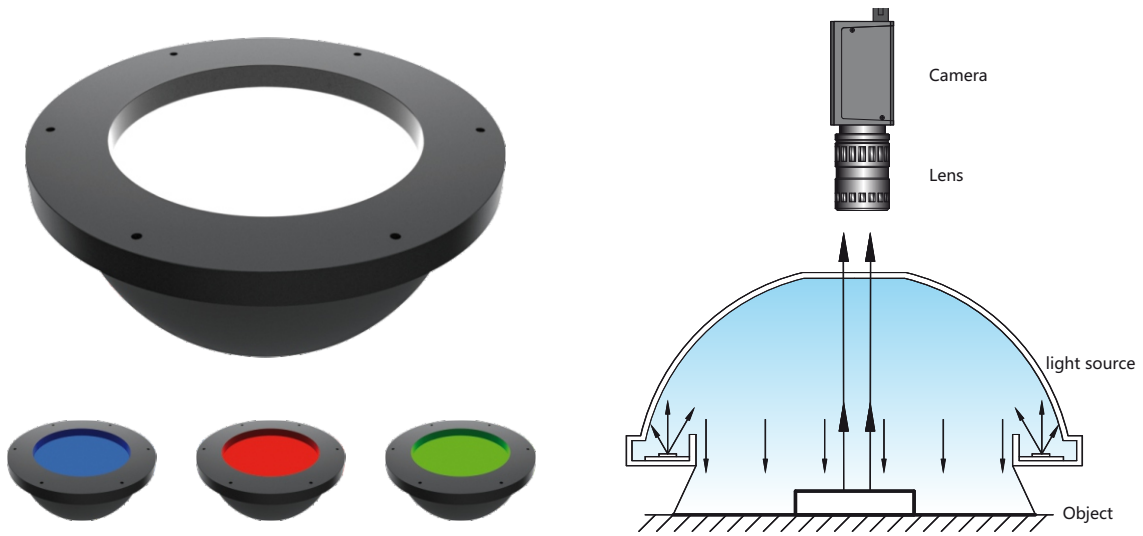


CSTG-2KFS600450Y40-W
Lithium battery positioning inspection



CSTG-2KFS600450Y40-W
Small PCB board positioning inspection

Dome light source DS Series



Product feature

- Diffuse light come from dome shaped reflector.
- Diffuse reflection shadowless light source
- Suitable for undulating surface, reflective objects

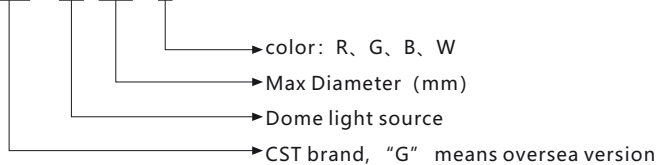
Application

- curved surface defect Inspection
- Surface defect Inspection
- Inspection of concave and convex surface defects
- Inspection of arc surface defects
- Metal, glass and other reflective objects surface inspection
- Character recognition of electrical appliance appearance
- Hardware parts edge extraction
- Line color differentiate
- Wheel hub appearance inspection

CSTG No.

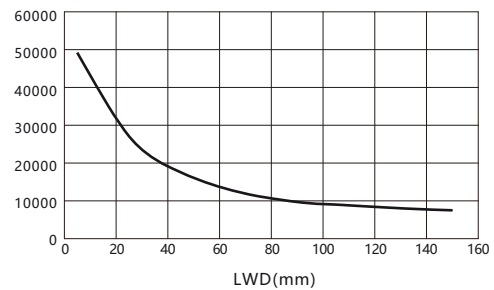
Dome light source (CSTG-DS series)

CSTG - DS 175 - R



Illuminance graph

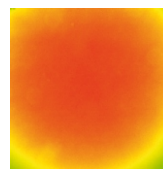
CSTG-DS116-W



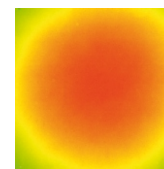
Uniform chart of light source

CSTG-DS175-W

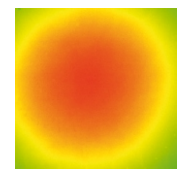
FOV: 80×80mm



LWD=20mm



LWD=40mm



LWD=60mm

Wave length/color temp	Red	620-630 nm	IR	850-940 nm
	Blue	465-475 nm	UV	365-405 nm
	White	6000-6500K	Green	520-530 nm
Storage environment	Temperature	-20-60°C	Humidity	20-85%RH(Non-condensation)
Using environment		0-40°C		
Option accessories	Extension cable			
Controller	CSTG-DPS series, CSTG-APS series, CSTG-SPS series, CSTG-HAPS series (The selected controller should match the power of the light source)			
Service life	When the environment at 25°C, the red color works continuously for 60000 hours with 50% illumination,the decrement at 50%			
	When the environment at 25°C, the white color works continuously for 30000 hours with 50% illumination,the decrement at 50%			
Quality assurance	CSTG products shipped out within 1 year, the fault not caused by personal reason, will provide free maintenance or replacement services			

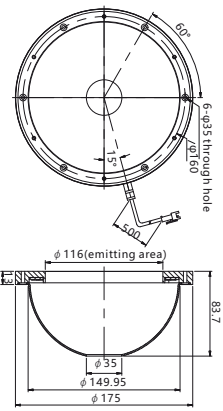
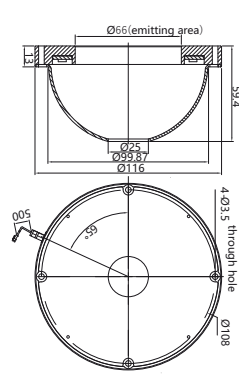
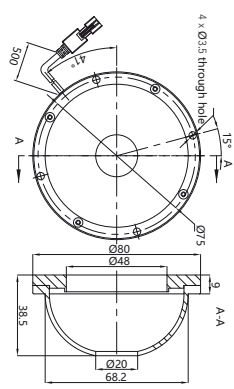
Dome light source DS series

Specification

Item	CSTG No.	Color	Power(W)		Luminous size(mm)	Overall size(mm)			Recommended controller
			R	G/B/W		OD	ID	H	
1	CSTG-DS80-R/G/B/W	● ● ● ○	5.6	5.6	48	80	20	38.5	CSTG-DPS, CSTG-APS, CSTG-SPS
2	CSTG-DS116-R/G/B/W	● ● ● ○	12	17	66	116	25	59.4	CSTG-DPS, CSTG-APS, CSTG-SPS
3	CSTG-DS175-R/G/B/W	● ● ● ○	17	28	116	175	35	83.7	CSTG-DPS, CSTG-APS, CSTG-SPS
4	CSTG-DS198-R/G/B/W	● ● ● ○	23	34	138	198	30	96.5	CSTG-DPS, CSTG-APS, CSTG-SPS
5	CSTG-DS260-R/G/B/W	● ● ● ○	34	38	193	260	48	125.8	CSTG-DPS, CSTG-APS, CSTG-SPS
6	CSTG-DS500-R/G/B/W	● ● ● ○	242	242	500	700	65	313.32	CSTG-HAPS(Φ19)

Product dimension drawing(mm)

CSTG-DS80 1 CSTG-DS116 2 CSTG-DS175 3



CSTG-DS198 4 CSTG-DS260 5 CSTG-DS500 6

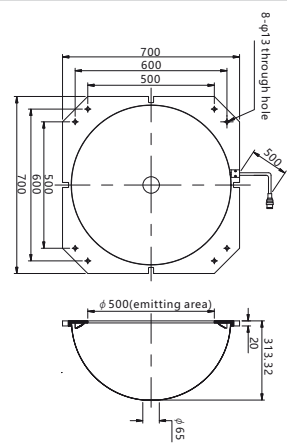
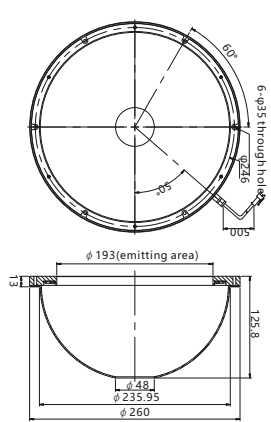
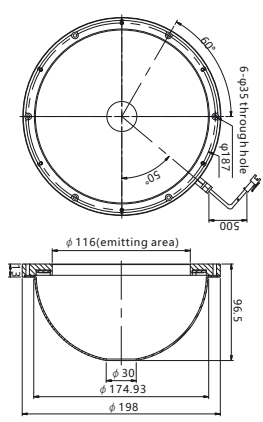
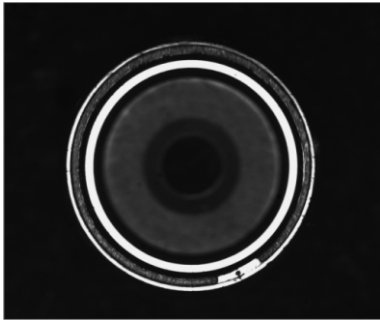
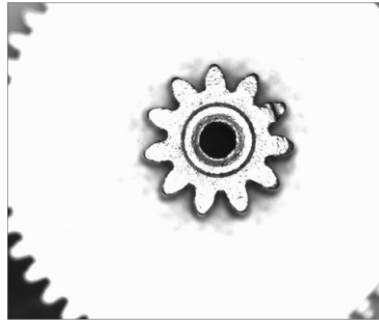


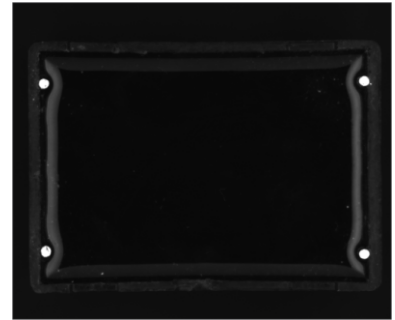
Image cases



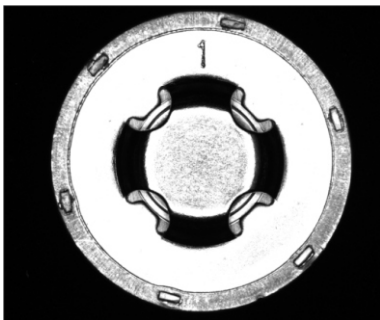
CSTG-DS84-W
Lens cap positioning inspection



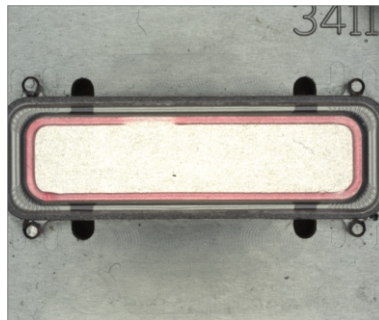
CSTG-DS116-B
Gear defect inspection



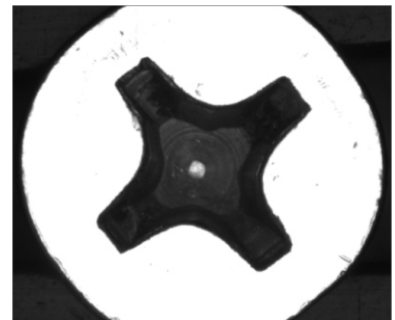
CSTG-DS175-IR940
Capacitor pin inspection



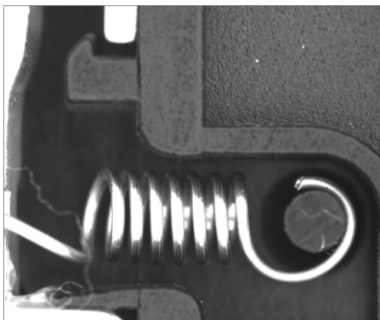
CSTG-DS116-B
Characters inspection



CSTG-DS116-W
Inspection if there is glue



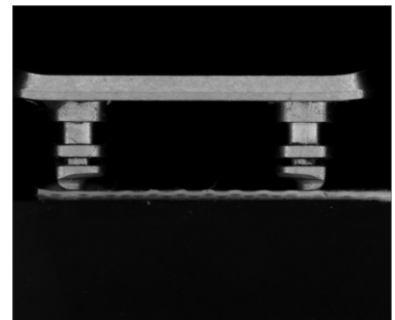
CSTG-DS116-W
Ingroove impurities inspection



CSTG-DS175-W
Spring hook inspection



CSTG-DS175-W
Auto fuse pin inspection



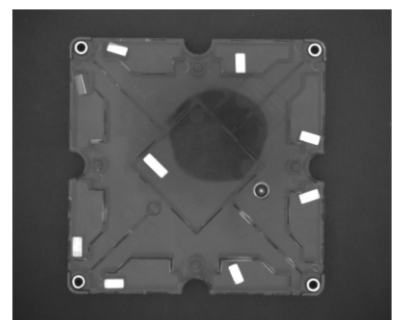
CSTG-DS198-R
Inspection the surface defect of mobile phone keys



CSTG-DS198-W
Inspection the characters at the bottom of bottle

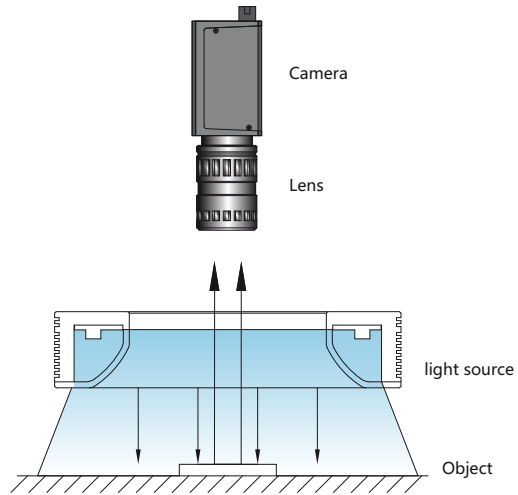
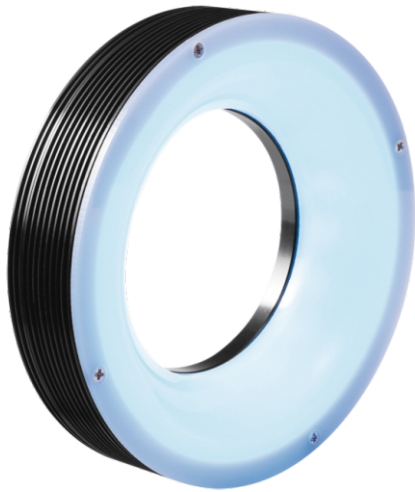


CSTG-DS260-W
Character positioning for the fan



CSTG-DS260-W
Inspection if there is the metal block in the inner of the toys

Shadowless light source HRS series



Product feature

- Large irradiated area
- High and low working distance could be used
- High brightness

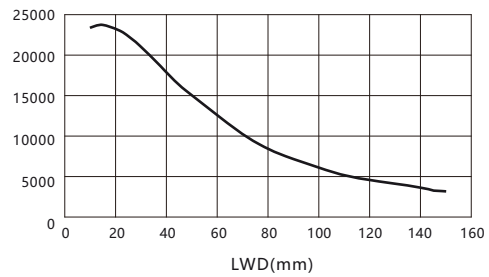
Application

- Dirty inspection for Beverage bottle cap
- High reflective metal mobile phone shell panel character inspection
- High reflective IC plastic packaging screen detection
- Surface detection of high speed pipelined electronic components
- Inspection the aluminum foil package for medical drugs
- High angle uniform illumination
- Low Angle feature extraction
- Syringe dirty inspection

CSTG No.

Illuminance graph

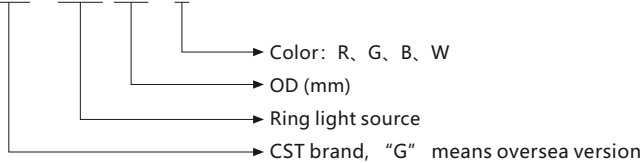
CSTG-HRS116-W



Uniform chart of light source

Ring light source(CSTG-HRS series)

CSTG - HRS 116 - R



CSTG-HRS196-W

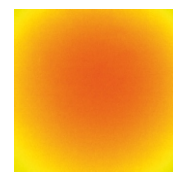
FOV: 120×120mm



LWD=100mm



LWD=150mm



LWD=200mm

Wave length/color temp	Red	620-630 nm	IR	850-940 nm
	Blue	465-475 nm	UV	365-405 nm
	White	6000-6500K	Green	520-530 nm
Storage environment	Temperature	-20-60°C	Humidity	20-85%RH(Non-condensation)
Using environment		0-40°C		
Option accessories	Extension cable			
Controller	CSTG-DPS Series, CSTG-APS Series, CSTG-SPS Series (The selected controller should match the power of the light source)			
Service life	When the environment at 25°C, the red color works continuously for 60000 hours with 50% illumination,the decrement at 50% When the environment at 25°C, the white color works continuously for 30000 hours with 50% illumination,the decrement at 50%			
Quality assurance	CSTG products shipped out within 1 year, the fault not caused by personal reason, will provide free maintenance or replacement services			

Shadowless light source HRS series

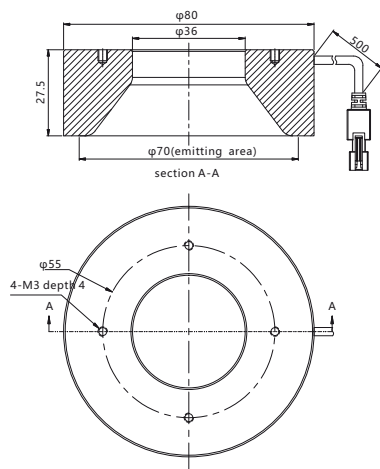
Specification

Item	CSTG No.	Color	Power(W)		Overall size(mm)			Recommended controller
			R	G/B/W	OD	ID	H	
1	CSTG-HRS80-R/G/B/W		5.6	6.3	80	36	27.5	CSTG-DPS, CSTG-APS, CSTG-SPS
2	CSTG-HRS116-R/G/B/W		9	14	116	66	25.5	CSTG-DPS, CSTG-APS, CSTG-SPS
3	CSTG-HRS166-R/G/B/W		14	23	166	116	25.5	CSTG-DPS, CSTG-APS, CSTG-SPS
4	CSTG-HRS196-R/G/B/W		18	27	196	146	25.5	CSTG-DPS, CSTG-APS, CSTG-SPS
5	CSTG-HRS208-R/G/B/W		27	34	208	158	26	CSTG-DPS, CSTG-APS, CSTG-SPS

Product dimension drawing(mm)

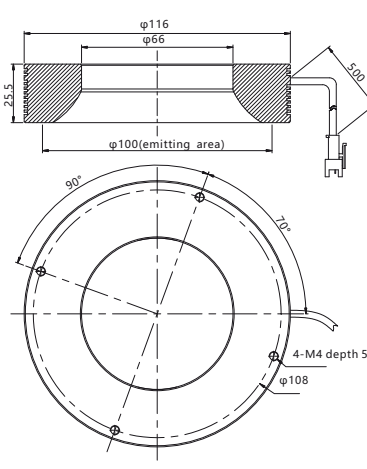
CSTG-HRS80

1



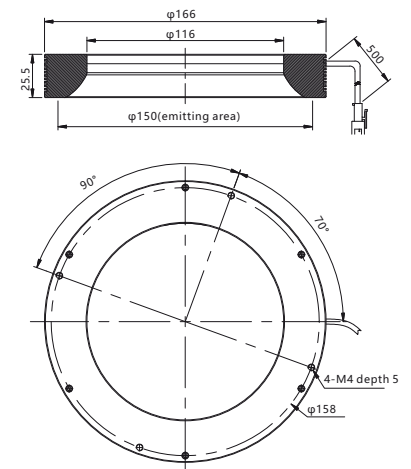
CSTG-HRS116

2



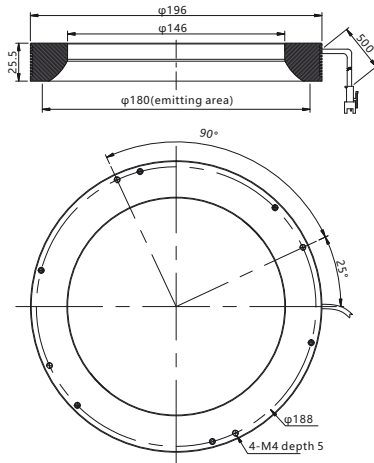
CSTG-HRS166

3



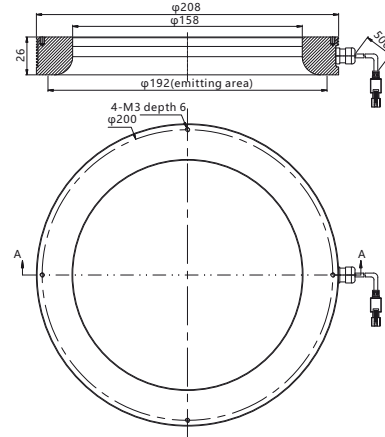
CSTG-HRS196

4



CSTG-HRS208

5

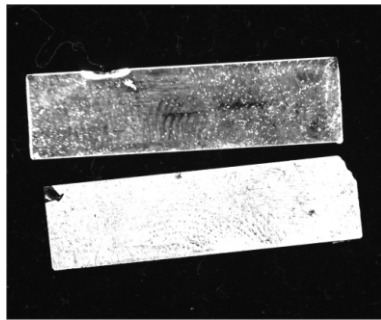


Shadowless light source HRS Series

Image cases



CSTG-HRS116-W
Character inspection for the agentia bottle



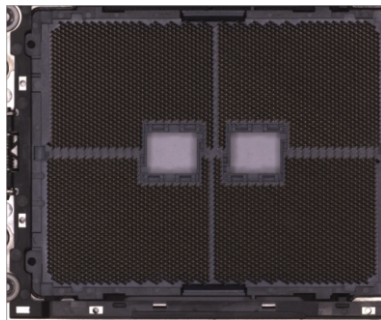
CSTG-HRS166-W
Front side and back side inspection for the glass



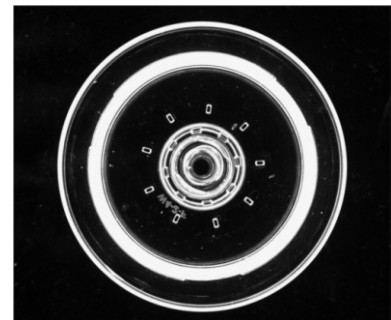
CSTG-HRS116-W
Characters inspection for drug bag



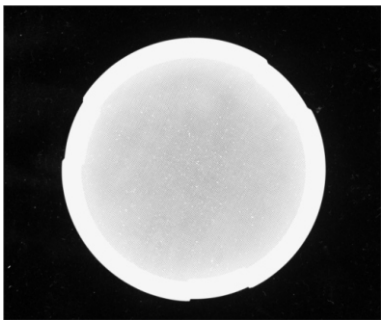
CSTG-HRS166-B
Positioning inspection for air condition rotor



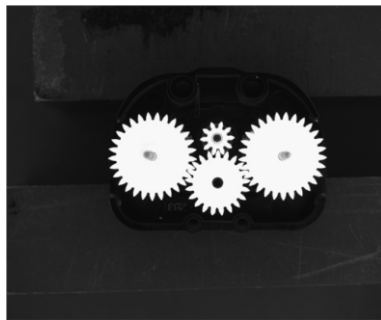
CSTG-HRS166-W
CPU position inspection



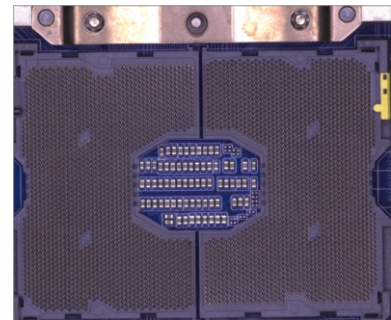
CSTG-HRS166-W
Base installation



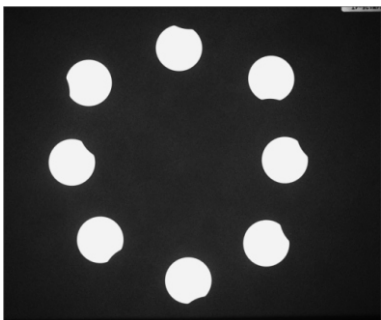
CSTG-HRS166-W
Lid assembly



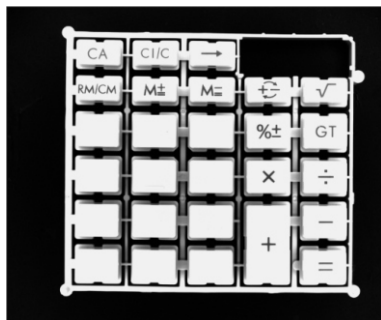
CSTG-HRS196-B
Gear defect inspection



CSTG-HRS196-W
CPU position inspection



CSTG-HRS196-W
Label position inspection

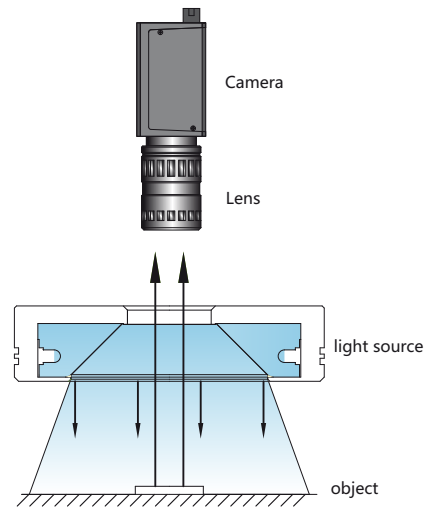


CSTG-HRS196-W
Keyboard character defect detection



CSTG-HRS350-R
Stitching inspection for the Can

Shadowless light source FLS series



Product feature

- Uniform illumination
- Small size
- Diffuse reflective material conducts light uniformly

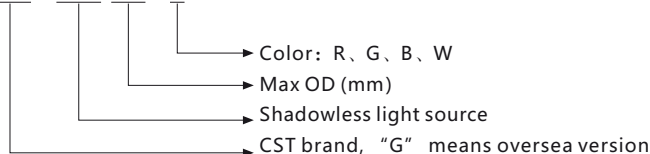
Application

- The shell of electrical equipment and components
- High reflection, uneven surface character inspection
- Fabric pattern inspection
- Dimension measurement and QR code recognition
- Inspection the laser character on the surface of ceramic capacitor
- Plastic surface scratch inspection
- Inkjet character recognition
- Disposable cup dirty inspection

CSTG No.

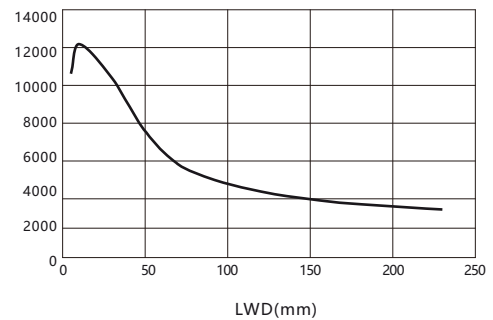
Shadowless light source (CSTG-FLS series)

CSTG - FLS 116 - R



Illuminance graph

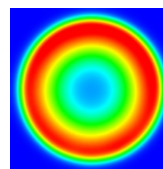
CSTG-FLS116-W



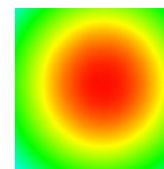
Uniform chart of light source

CSTG-FLS116-W

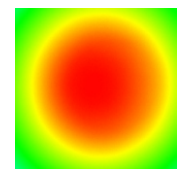
FOV: 120×120mm



LWD=0mm



LWD=50mm



LWD=100mm

Wave length/color temp	Red	620-630 nm	IR	850-940 nm
	Blue	465-475 nm	UV	365-405 nm
	White	6000-10000K	Green	520-530 nm
Storage environment	Temperature	-20-60°C	Humidity	20-85%RH(Non-condensation)
Using environment		0-40°C		
Option accessories	Extension cable			
Controller	CSTG-DPS series, CSTG-APS series, CSTG-SPS series (The selected controller should match the power of the light source)			
Service life	When the environment at 25°C, the red color works continuously for 60000 hours with 50% illumination,the decrement at 50%			
	When the environment at 25°C, the white color works continuously for 30000 hours with 50% illumination,the decrement at 50%			
Quality assurance	CSTG products shipped out within 1 year, the fault not caused by personal reason, will provide free maintenance or replacement services			

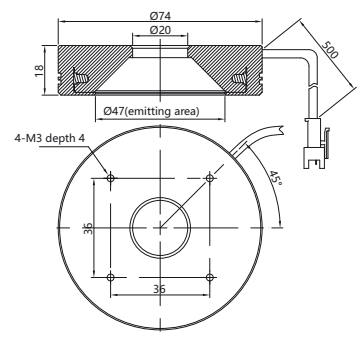
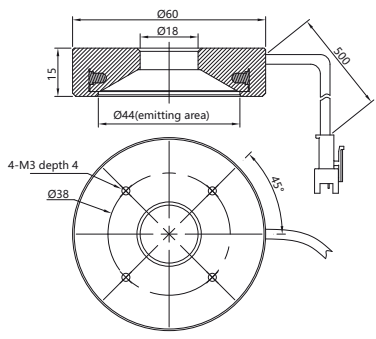
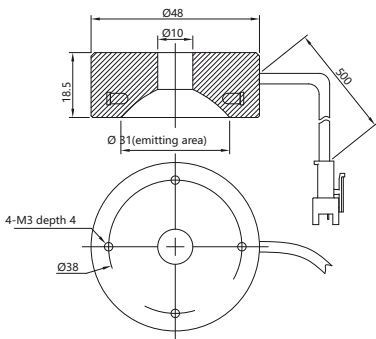
Shadowless light source FLS series

Specification

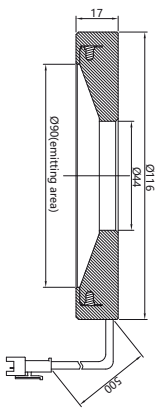
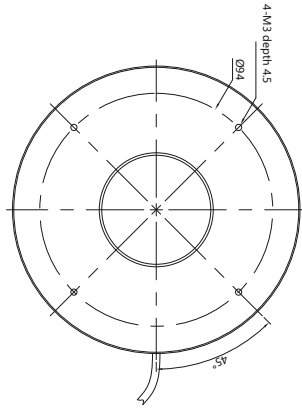
Item	CSTG No.	Color	Power(W)		Overall size(mm)			Recommended controller
			R	G/B/W	OD	ID	H	
1	CSTG-FLS48-R/G/B/W	● ● ● ○	0.8	1.2	48	10	18.5	CSTG-DPS、CSTG-APS、CSTG-SPS
2	CSTG-FLS60-R/G/B/W	● ● ● ○	1.2	2	60	18	15	CSTG-DPS、CSTG-APS、CSTG-SPS
3	CSTG-FLS74-R/G/B/W	● ● ● ○	1.6	2.4	74	20	18	CSTG-DPS、CSTG-APS、CSTG-SPS
4	CSTG-FLS116-R/G/B/W	● ● ● ○	2.4	4	116	44	17	CSTG-DPS、CSTG-APS、CSTG-SPS
5	CSTG-FLS160-R/G/B/W	● ● ● ○	4	5.9	160	44	19.5	CSTG-DPS、CSTG-APS、CSTG-SPS

Product dimension drawing(mm)

CSTG-FLS48 1 CSTG-FLS60 2 CSTG-FLS74 3



CSTG-FLS116 4



CSTG-FLS160 5

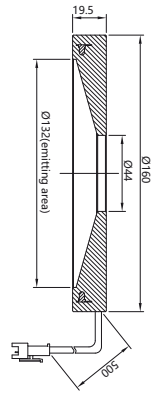
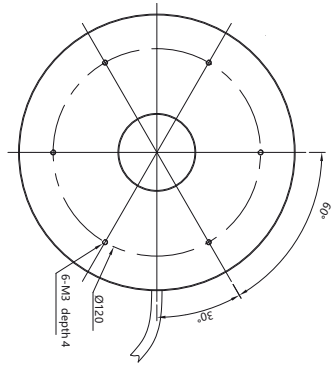
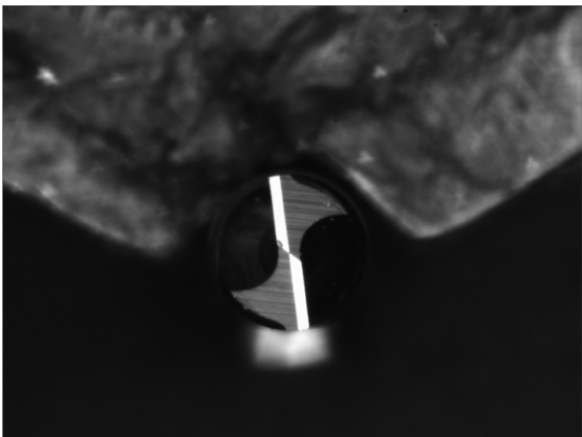
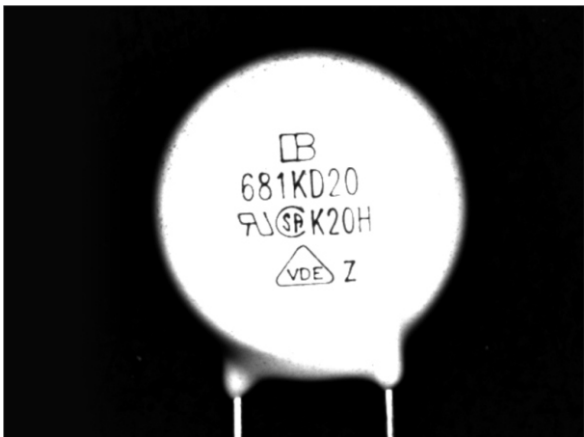


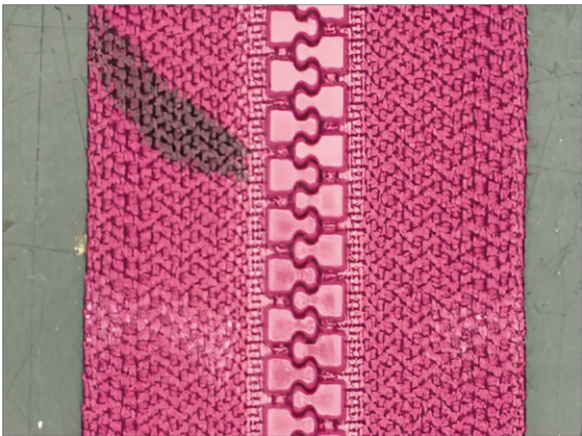
Image cases



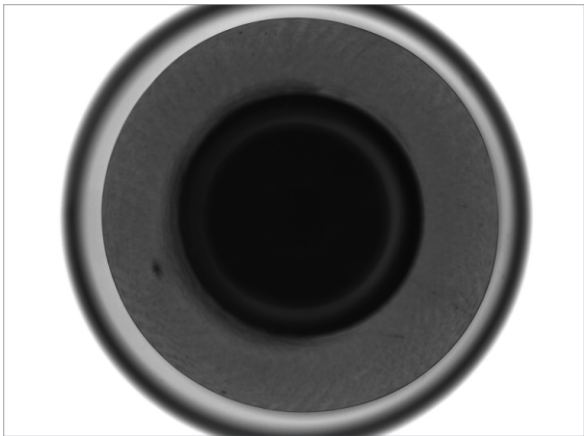
CSTG-FLS74-B
Bit face inspection



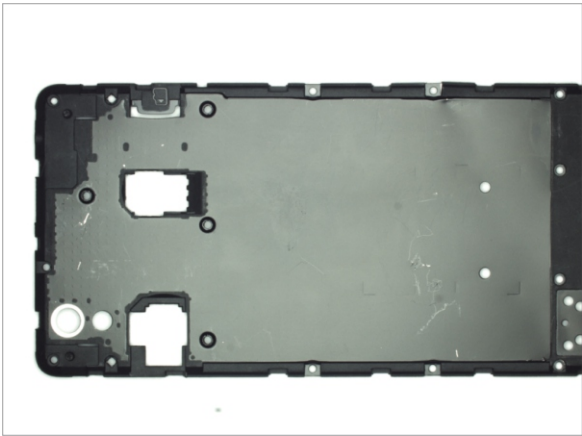
CSTG-FLS116-B
Capacitance surface character recognition



CSTG-FLS116-W
Zipper head inspection



CSTG-FLS160-R
Bump point inspection

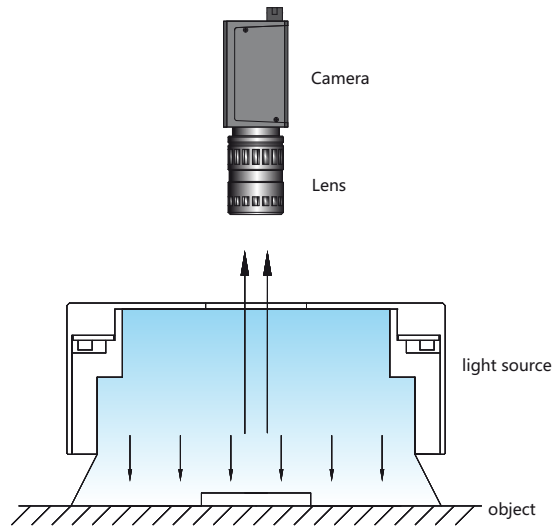


CSTG-FLS160-W
Appearance inspection of mobile phone shell



CSTG-FLS160-R
Sill screen position inspection

Shadowless light source FQS series



Product feature

- ◆ Suitable for square object measuring
- ◆ Uniform illumination
- ◆ Eliminate the reflections

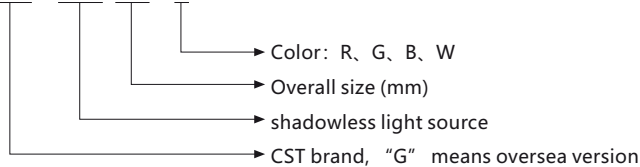
Application

- ◆ FPC product positioning
- ◆ Electronic components inspection
- ◆ Pin bending inspection
- ◆ Pin surface dirty inspection
- ◆ IC pin drop inspection
- ◆ Inspection the appearance pattern of substrate

CSTG No.

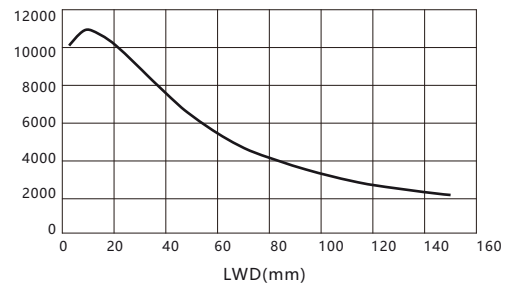
Shadowless light source (CSTG-FQS series)

CSTG - FQS 120 - R



Illuminance graph

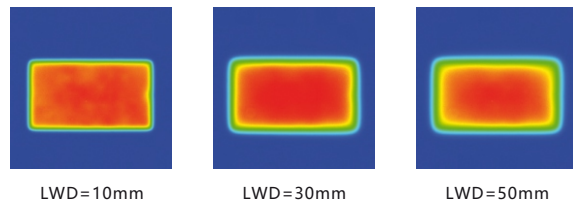
CSTG-FQS96-W



Uniform chart of light source

CSTG-FQS180120-W

FOV: 220×220mm



LWD=10mm

LWD=30mm

LWD=50mm

Wave length/color temp	Red	620-630 nm	IR	850-940 nm
	Blue	465-475 nm	UV	365-405 nm
	White	6000-6500K	Green	520-530 nm
Storage environment	Temperature	-20-60°C	Humidity	20-85%RH(Non-condensation)
Using environment		0-40°C		
Option accessories	Extension cable			
Controller	CSTG-DPS series, CSTG-APS series, CSTG-SPS series (The selected controller should match the power of the light source)			
Service life	When the environment at 25°C, the red color works continuously for 60000 hours with 50% illumination,the decrement at 50%			
	When the environment at 25°C, the white color works continuously for 30000 hours with 50% illumination,the decrement at 50%			
Quality assurance	CSTG products shipped out within 1 year, the fault not caused by personal reason, will provide free maintenance or replacement services			

Shadowless light source FQS series

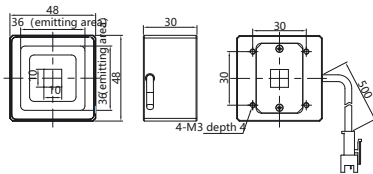
Specification

Item	CSTG No.	Color	Power(W)		Overall size(mm)			Recommended controller
			R	G/B/W	L	W	H	
1	CSTG-FQS48-R/G/B/W		1.2	2.3	48	48	30	CSTG-DPS, CSTG-APS, CSTG-SPS
2	CSTG-FQS75-R/G/B/W		2.3	3.4	75	75	30	CSTG-DPS, CSTG-APS, CSTG-SPS
3	CSTG-FQS96-R/G/B/W		2.8	4.5	96	96	30	CSTG-DPS, CSTG-APS, CSTG-SPS
4	CSTG-FQS120-R/G/B/W		3.4	4.5	120	120	30	CSTG-DPS, CSTG-APS, CSTG-SPS
5	CSTG-FQS180120-R/G/B/W		7.2	6.8	180	120	30	CSTG-DPS, CSTG-APS, CSTG-SPS
6	CSTG-FQS234-R/G/B/W		15	18	234	234	30	CSTG-DPS, CSTG-APS, CSTG-SPS
7	CSTG-FQS300200-R/G/B/W		13	18	300	200	30	CSTG-DPS, CSTG-APS, CSTG-SPS

Product dimension drawing(mm)

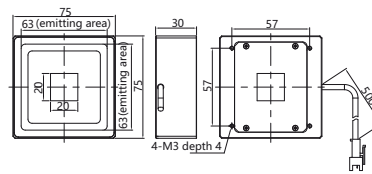
CSTG-FQS48

1



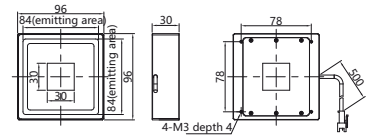
CSTG-FQS75

2



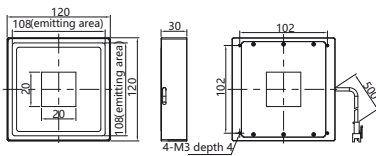
CSTG-FQS96

3



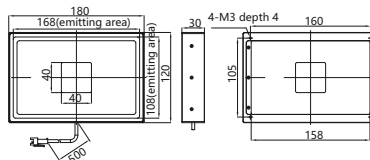
CSTG-FQS120

4



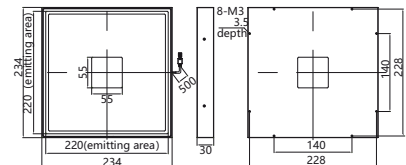
CSTG-FQS180120

5



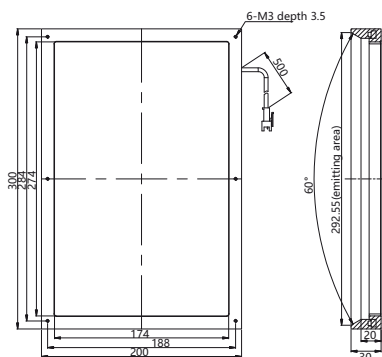
CSTG-FQS234

6



CSTG-FQS300200

7



Shadowless light source FQS series

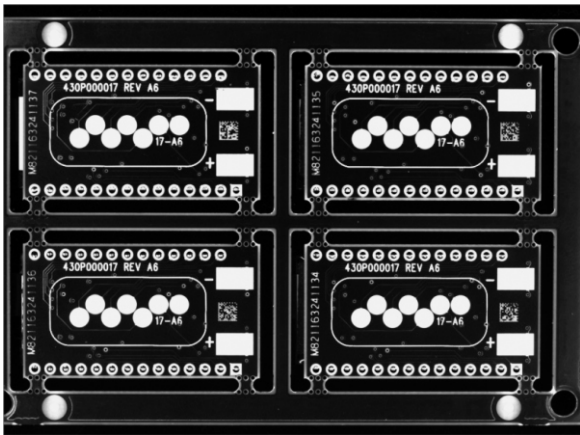
Image cases



CSTG-FQS75-W
Character defect inspection on USB surface



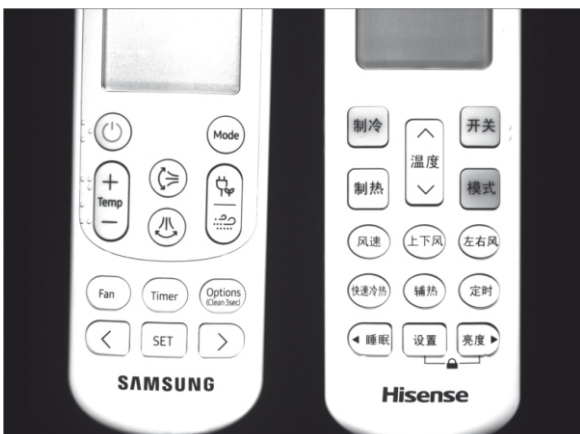
CSTG-FQS120-B
Screw inspection



CSTG-FQS120-R
PCB board positioning inspection



CSTG-FQS120-W
Character and color inspection for PCB board

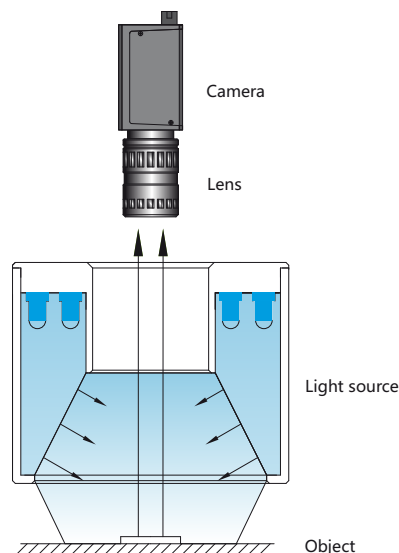


CSTG-FQS234-W
Character inspection for Key



CSTG-FQS100-R
Label positioning inspection

Shadowless light source FRS series



Product feature

- Suitable for large round objects or small irregularly shaped objects
- Higher uniformity
- Uniform illumination without shadow

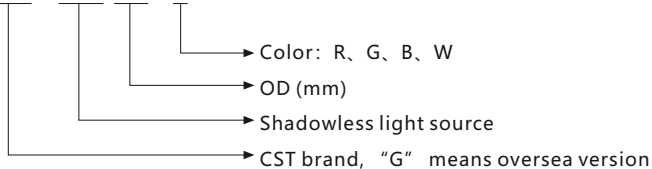
Application

- Contour extraction of circular metal parts
- Low angle uniform illumination
- Low angle feature extraction
- Various character recognition
- Inspection the parts on substrate
- Label inspection
- Foreign matter inspection on wafer

CSTG No.

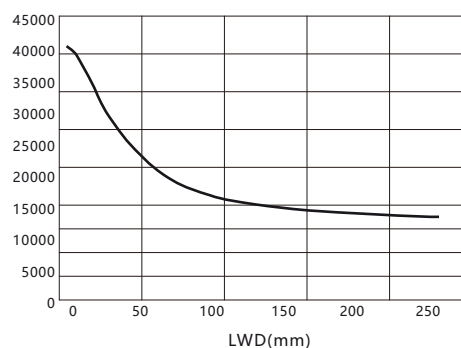
Shadowless light source(CSTG-FRS series)

CSTG - FRS 100 - R



Illuminance graph

CSTG-FRS88-W



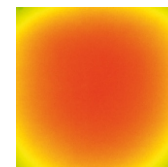
Uniform chart of light source

CSTG-FRS180-R

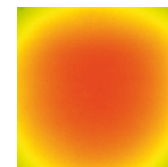
FOV: 80×80mm



LWD=50mm



LWD=70mm



LWD=90mm

Wave length/color temp	Red	620-630 nm	IR	850-940 nm
	Blue	465-475 nm	UV	365-405 nm
	White	6000-6500K	Green	520-530 nm
Storage environment	Temperature	-20-60°C	Humidity	20-85%RH(Non-condensation)
Using environment		0-40°C		
Option accessories	Extension cable			
Controller	CSTG-DPS series, CSTG-APS series, CSTG-SPS series (The selected controller should match the power of the light source)			
Service life	When the environment at 25°C, the red color works continuously for 60000 hours with 50% illumination,the decrement at 50%			
	When the environment at 25°C, the white color works continuously for 30000 hours with 50% illumination,the decrement at 50%			
Quality assurance	CSTG products shipped out within 1 year, the fault not caused by personal reason, will provide free maintenance or replacement services			

Shadowless light source FRS series

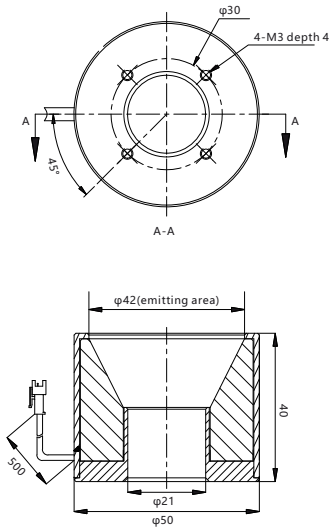
Specification

Item	CSTG No.	Color	Power(W)		Emitting area(mm)	Overall size(mm)			Recommended controller
			R	G/B/W		OD	ID	H	
1	CSTG-FRS50-R/G/B/W	● ● ● ○	2.4	3.2	42	50	21	40	CSTG-DPS, CSTG-APS, CSTG-SPS
2	CSTG-FRS88-R/G/B/W	● ● ● ○	4	5.9	78	88	60	38	CSTG-DPS, CSTG-APS, CSTG-SPS
3	CSTG-FRS100-R/G/B/W	● ● ● ○	4.8	7.1	92	100	71	40	CSTG-DPS, CSTG-APS, CSTG-SPS
4	CSTG-FRS150-R/G/B/W	● ● ● ○	19	23	142	150	80	40	CSTG-DPS, CSTG-APS, CSTG-SPS
5	CSTG-FRS180-R/G/B/WTY	● ● ● ○	8.3	14	172	180	151	40	CSTG-DPS, CSTG-APS, CSTG-SPS

Product dimension drawing(mm)

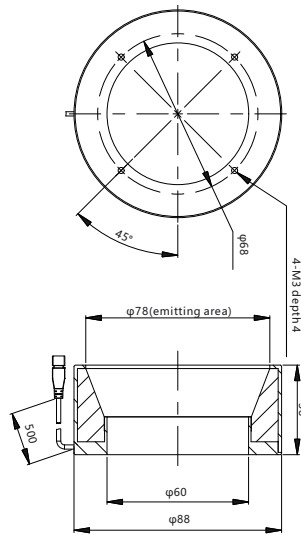
CSTG-FRS50

1



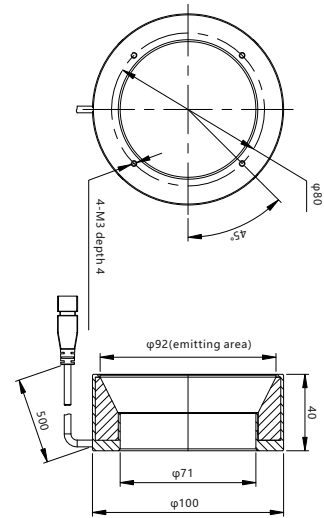
CSTG-FRS88

2



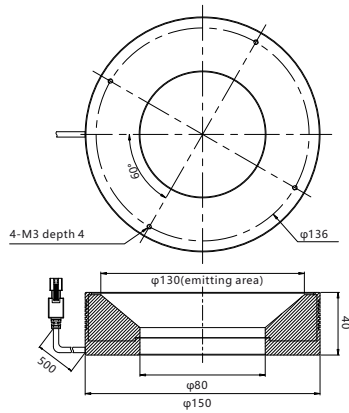
CSTG-FRS100

3



CSTG-FRS150

4



CSTG-FRS180-TY

5

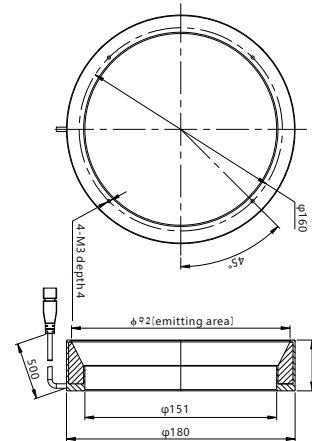
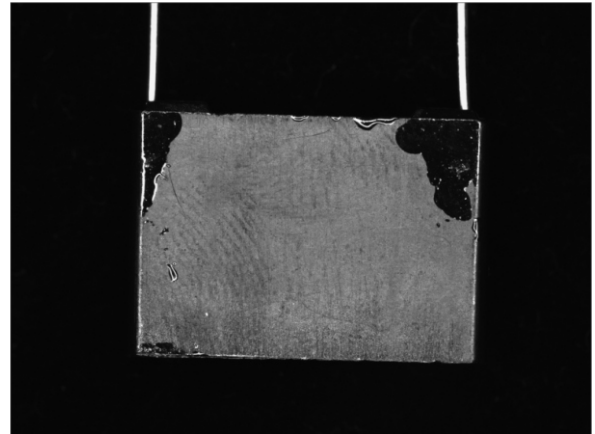


Image cases



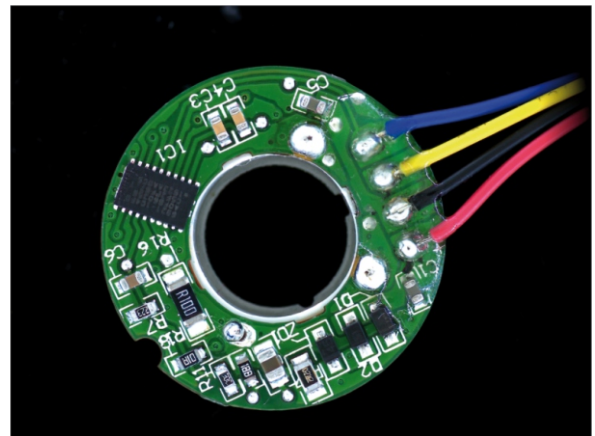
CSTG-FRS88-W
Concentricity inspection for label



CSTG-FRS88-W
Resin detection



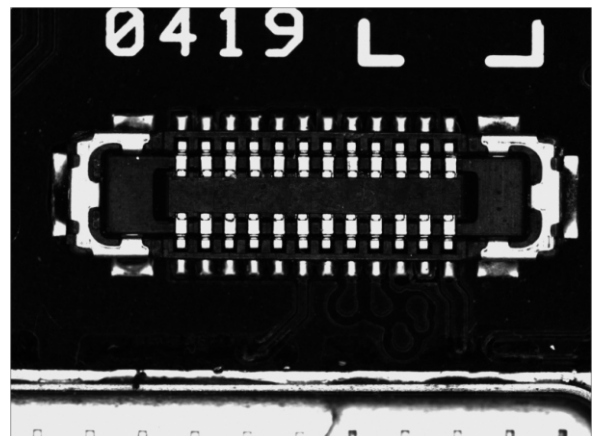
CSTG-FRS100-W
Scratch inspection for Logo



CSTG-FRS150-W
PCB solder and wire color inspection

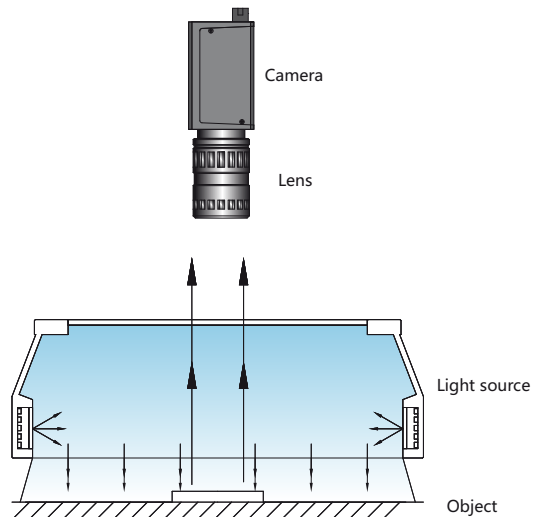
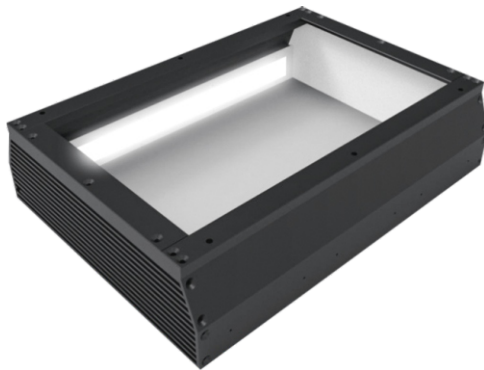


CSTG-FRS150-W
Broken inspection for plastic



CSTG-FRS88-W
Positioning inspection for connector

Shadowless light source SPQ series



Product feature

- Suitable for large measured objects
- Uniform illumination
- Eliminate the reflective

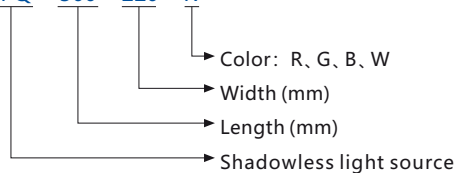
Application

- Inspection the frame appearance of mobile phone
- Mobile phone edge extraction
- Clock appearance inspection
- Various character recognition
- Color inspection
- Screws recognition for Mobile phone
- Round hole size inspection of mobile phone shell

CSTG No.

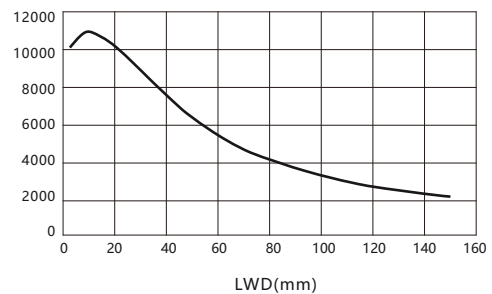
Shadowless light source (SPQ series)

SPQ - 300 - 220 - R



Illuminance graph

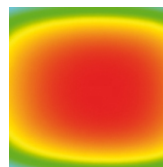
SPQ-326-246-W



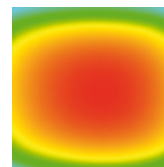
Uniform chart of light source

SPQ-326-246-W

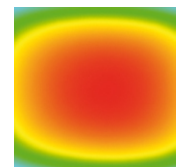
FOV: 350×350mm



LWD=50mm



LWD=70mm



LWD=90mm

Wave length/color temp	Red	620-630 nm	IR	850-940 nm
	Blue	465-475 nm	UV	365-405 nm
	White	6000-6500K	Green	520-530 nm
Storage environment	Temperature	-20-60°C	Humidity	20-85%RH(Non-condensation)
Using environment		0-40°C		
Option accessories	Extension cable			
Controller	CSTG-DPS series, CSTG-APS series, CSTG-SPS series (The selected controller should match the power of the light source)			
Service life	When the environment at 25°C, the red color works continuously for 60000 hours with 50% illumination, the decrement at 50%			
	When the environment at 25°C, the white color works continuously for 30000 hours with 50% illumination, the decrement at 50%			
Quality assurance	CSTG products shipped out within 1 year, the fault not caused by personal reason, will provide free maintenance or replacement services			

Shadowless light source SPQ series

Specification

Item	CSTG No.	Color	Power(W)		Overall size(mm)			Recommended controller
			R	G/B/W	L	W	H	
1	SPQ-300-220-R/W	● ○	51	40	300	220	74	CSTG-DPS、CSTG-APS、CSTG-SPS
2	SPQ-326-246-R/G/B/W	● ● ● ○	40	68	326	246	70.08	CSTG-DPS、CSTG-APS、CSTG-SPS
3	SPQ-360-280-W	○	/	40	360	280	74	CSTG-DPS、CSTG-APS、CSTG-SPS

Product dimension drawing(mm)

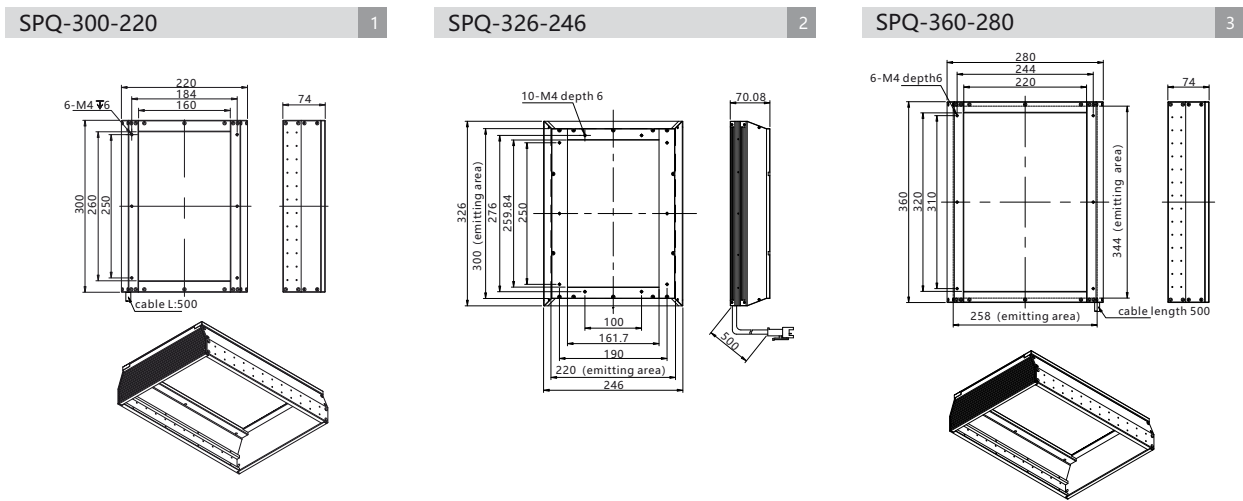
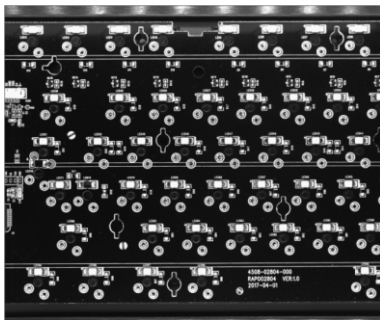


Image cases



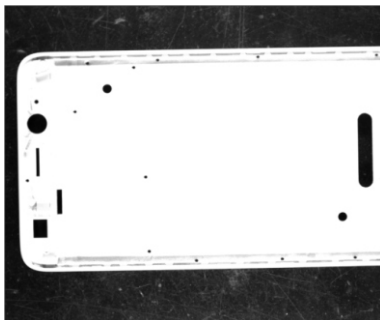
SPQ-300-220-W
Keyboard Pin inspection



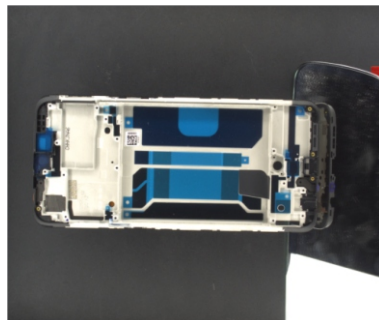
SPQ-300-220-W
Character and color detection



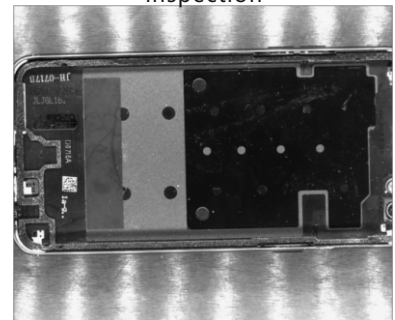
SPQ-300-246-W
Mobile phone frame positioning inspection



SPQ-300-220-W
Hole inspection for cell phone

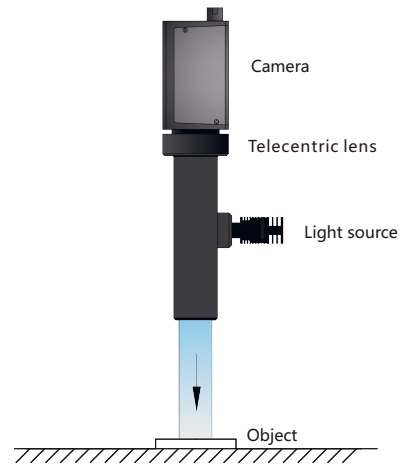


SPQ-360-280-W
Accessories inspection for cell phone



SPQ-360-280-W
Internal QR code inspection for cell phone

Spot light source SPL series



Product feature

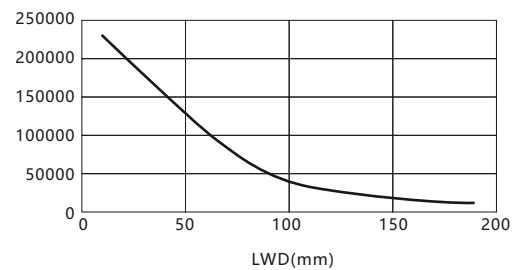
- High brightness, small luminous area
- Compact, efficient heat dissipation, low power consumption and long service life.
- Can replace Optical fiber halogen lamp, suitable for coaxial illumination as lens

Application

- Wafer positioning and defect inspection
- Optical filter surface defect inspection
- Mark point positioning
- Flat object surface defect inspection
- Flat object positioning inspection
- Positioning inspection
- Different materials distinguish positioning inspection
- Dedicated light source for coaxial lens inspection
- Used in high speed inspection occasion

Illuminance graph

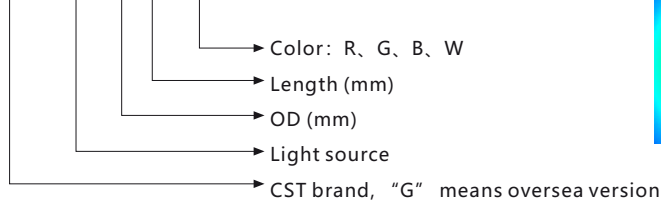
CSTG-SPL0859-W



CSTG No.

Spot light source (CSTG-SPL series)

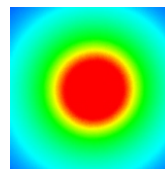
CSTG - SPL 08 59 - R



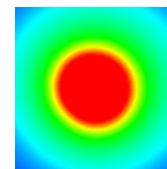
Uniform chart of light source

LWD=110

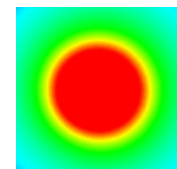
FOV : 40×40mm



CSTG-SPL0859-B



CSTG-SPL0859-R



CSTG-SPL0859-W

Wave length/color temp	Red	620-630 nm	IR	850-940 nm
	Blue	465-475 nm	UV	365-405 nm
	White	6000-6500K	Green	520-530 nm
Storage environment	Temperature	-20-60°C	Humidity	20-85%RH(Non-condensation)
Using environment		0-40°C		
Option accessories	Extension cable			
Controller	CSTG-CPL series (The selected controller should match the power of the light source)			
Service life	When the environment at 25°C, the red color works continuously for 60000 hours with 50% illumination, the decrement at 50% When the environment at 25°C, the white color works continuously for 30000 hours with 50% illumination, the decrement at 50%			
Quality assurance	CSTG products shipped out within 1 year, the fault not caused by personal reason, will provide free maintenance or replacement services			

Spot light source SPL series

Specification

Item	CSTG No.	Color	Power(W)	Overall size(mm)			Recommended controller
				OD	ID	H	
1	CSTG-SPL0859-R/G/B/W	● ● ● ●	3	24	8	59	CSTG-CPL0520A-4TD
2	CSTG-SPL08-75.5-W	○	10	35	8	75.5	CSTG-CPL0540A-4TD

Product dimension drawing(mm)

CSTG-SPL0859

1

CSTG-SPL08-75.5

2

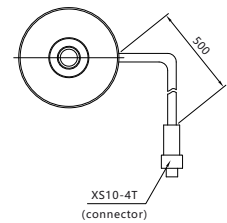
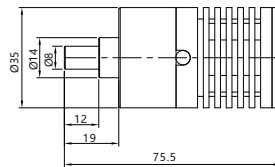
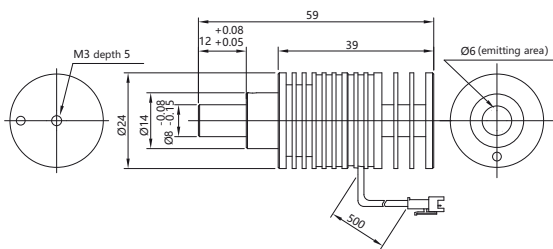
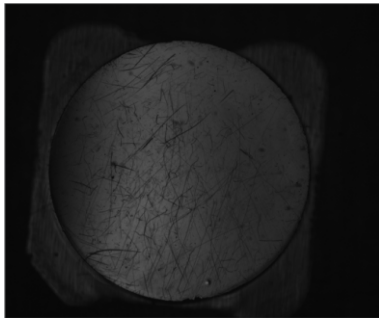


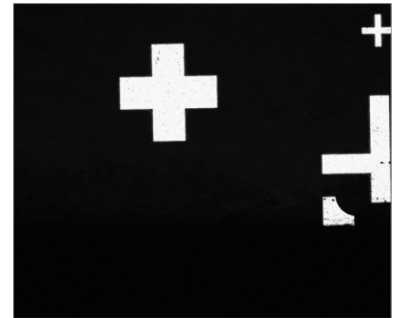
Image cases



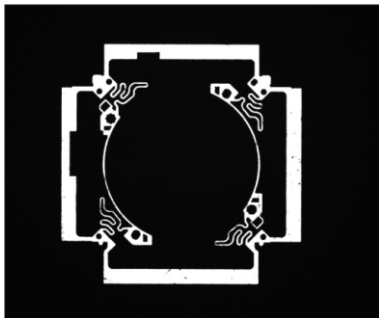
CSTG-SPL0859-B
Scratch inspection



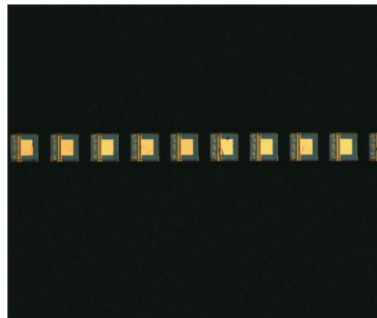
CSTG-SPL0859-B
Copper wire inspection



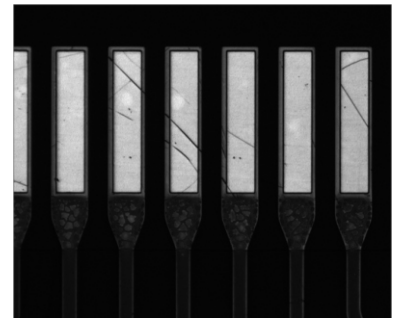
CSTG-SPL0859-R
PCB board cross positioning



CSTG-SPL0859-R
Camera module positioning
inspection

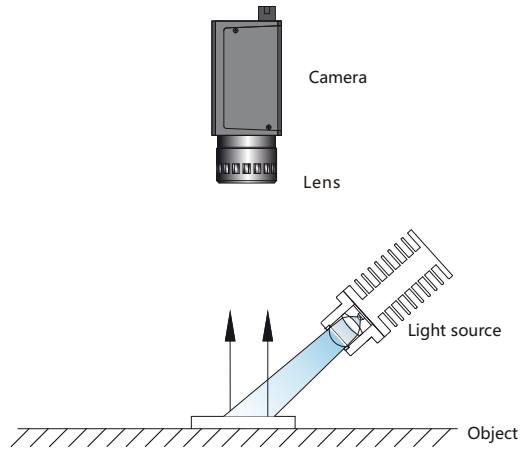


CSTG-SPL0859-W
Crystal character recognition



CSTG-SPL8059-B
Scratch inspection

Spot light source SL series



Product feature

- Three times brightness of standard spot lights
- High effective heat dissipation design, keeps the housing temperature below 45°C
- A special lighting-guide optical part deployed, the intensity can reach 600,000 lux
- The uniformity of light source is above 95%

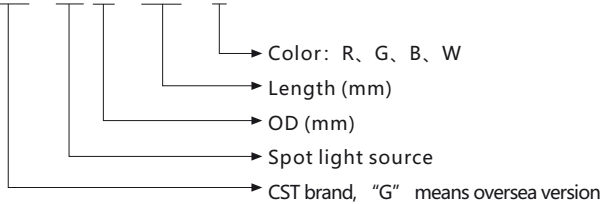
Application

- High speed motion inspection
- Vibration occasion inspection
- Use for highlight application occasion
- Steel wire inspection
- Inspecton the foreign matter in groove
- mark positioning
- USB terminal PIN inspection
- Cell phone hole size measurement
- Screw hole blockage inspection

CSTG No.

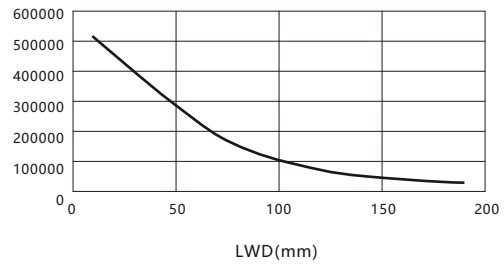
Spot light source (CSTG-SL serie)

CSTG - SL 21 - 63.9 - W



Illuminance graph

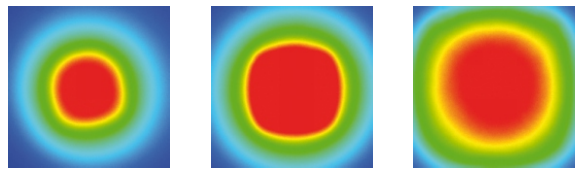
CSTG-SL21-63.9-WDG



Uniform chart of light source

LWD=110mm

FOV: 40×40mm



CSTG-SL21-63.9-BJQ

CSTG-SL21-63.9-RJQ

CSTG-SL21-63.9-WDG

Wave length/color temp	Red	620-630 nm	IR	850-940 nm
	Blue	465-475 nm	UV	365-405 nm
	White	6000-6500K	Green	520-530 nm
Storage environment	Temperature	-20-60°C	Humidity	20-85%RH(Non-condensation)
Using environment		0-40°C		
Option accessories	Extension cable			
Controller	CSTG-CPL series (The selected controller should match the power of the light source)			
Service life	When the environment at 25°C, the red color works continuously for 60000 hours with 50% illumination,the decrement at 50%			
	When the environment at 25°C, the white color works continuously for 30000 hours with 50% illumination,the decrement at 50%			
Quality assurance	CSTG products shipped out within 1 year, the fault not caused by personal reason, will provide free maintenance or replacement services			

Spot light source SL series

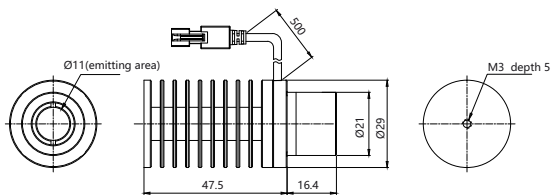
Specification

Item	CSTG No.	Color	Power(W)	OD (mm)	Overall size(mm)			Recommended controller
					OD	ID	H	
1	CSTG-SL21-63.9-WDG	○	5.5	11	29	21	60	CSTG-CPL0530AHC-4TD
2	CSTG-SL21-63.9-BJQ	●	4.5	11	29	21	60	CSTG-CPL0530AJQ-4TD
3	CSTG-SL22.9-54-G/Y	●●	1.75	7.13	30.5	22.9	54	DC24V

Product dimension drawing(mm)

CSTG-SL21-63.9

1/2



CSTG-SL22.9-54

3

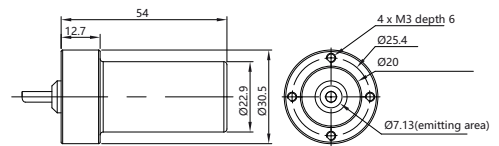
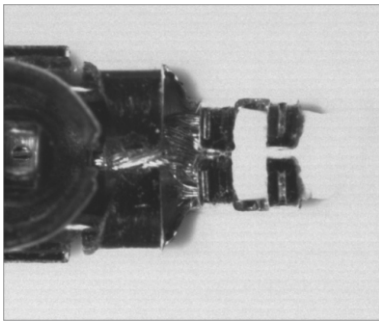
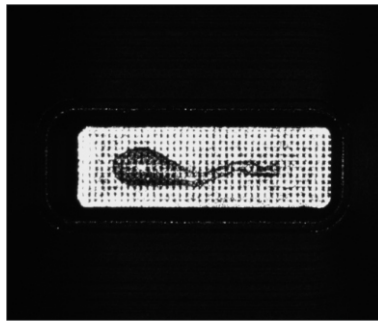


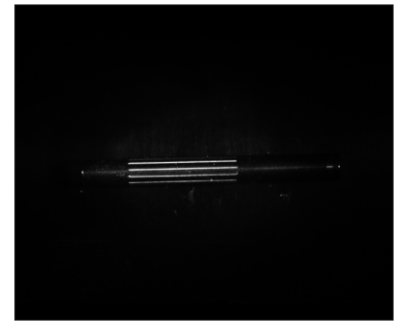
Image cases



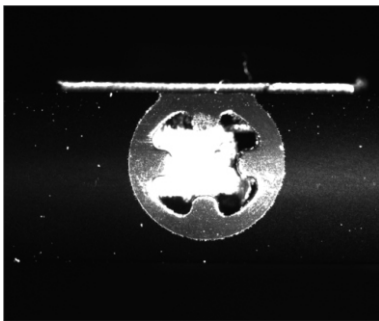
CSTG-SL21-63.9-B
Wiring duct spacing inspection



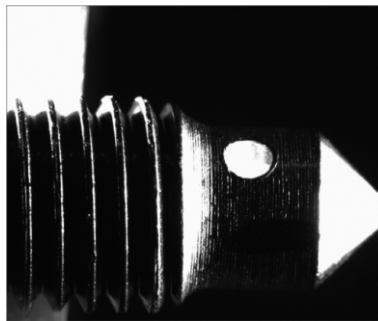
CSTG-SL21-63.9-B
Inspection the glue on steel disc



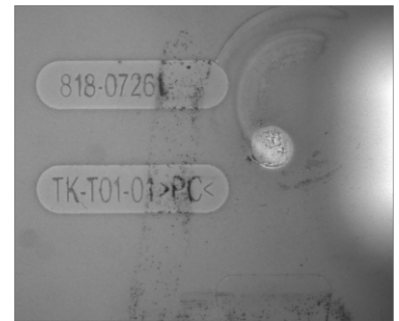
CSTG-SL21-63.9-W
Cylindrical fringe inspection



CSTG-SL21-63.9-WDG
Earphone hole inspection

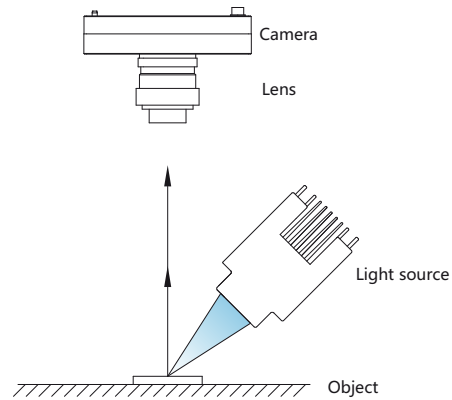
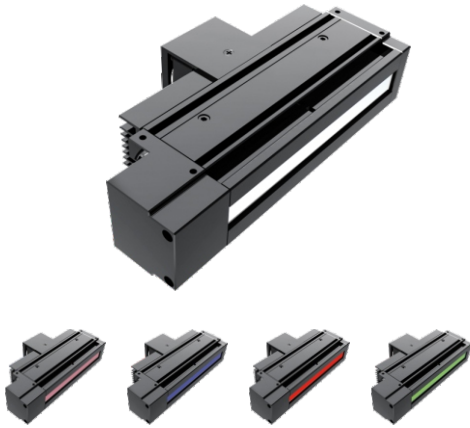


CSTG-SL21-63.9-WDG
Hole spacing inspection



CSTG-SL21-63.9-WDG
Chargers character inspection

Line light source LPG series



Product feature

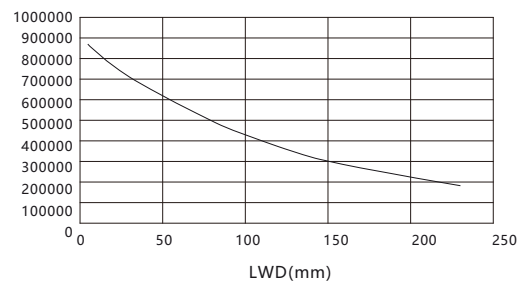
- High brightness
- High uniformity
- The lighting can be use as front and back light
- Customized different length.

Application

- Also suitable for standard line light
- Suitable for high speed line scan inspection
- Resistance surface character inspection
- Inspection the appearance of Graphene material
- Inspection the surface defects of cowhide leather
- Aluminum plate surface defect inspection

Illuminance graph

CSTG-LPG300-W



CSTG No.

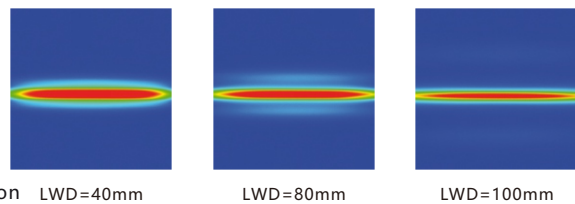
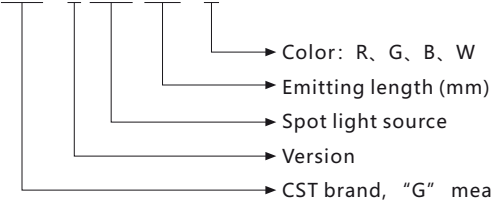
Uniform chart of light source

Line light source (CSTG-LPG series)

CSTG-LPG300-W

FOV: 220×220mm

CSTG - 2 LPG 150 - R



Wave length/color temp	Red	620-630 nm	IR	850-940 nm
	Blue	465-475 nm	UV	365-405 nm
	White	6000-6500K	Green	520-530 nm
Storage environment	Temperature	-20-60°C	Humidity	20-85%RH(Non-condensation)
Using environment		0-40°C		
Option accessories	Extension cable			
Controller	CSTG-CPL48320C-2T/CSTG-CPL48760C-2T (The selected controller should match the power of the light source)			
Service life	When the environment at 25°C, the red color works continuously for 60000 hours with 50% illumination,the decrement at 50%			
	When the environment at 25°C, the white color works continuously for 30000 hours with 50% illumination,the decrement at 50%			
Quality assurance	CSTG products shipped out within 1 year; the fault not caused by personal reason, will provide free maintenance or replacement services			

Specification

1LPG

Item	CSTG No.	Color	Power(W)		Recommended controller
			R	G/B/W	
1	CSTG-LPG150-R/B/W	● ● ○	20	20	CSTG-CPL48320C-2T
2	CSTG-LPG300-R/B/W	● ● ○	39	39	
3	CSTG-LPG450-R/B/W	● ● ○	58	58	
4	CSTG-LPG600-R/B/W	● ● ○	77	77	
5	CSTG-LPG750-R/B/W	● ● ○	96	96	
6	CSTG-LPG900-R/B/W	● ● ○	116	116	
7	CSTG-LPG1050-R/B/W	● ● ○	135	135	
8	CSTG-LPG1200-R/B/W	● ● ○	154	154	
9	CSTG-LPG1350-R/B/W	● ● ○	173	173	
10	CSTG-LPG1500-R/B/W	● ● ○	192	192	
11	CSTG-LPG1650-R/B/W	● ● ○	212	212	
12	CSTG-LPG1800-R/B/W	● ● ○	231	231	
13	CSTG-LPG1950-R/B/W	● ● ○	250	250	
14	CSTG-LPG2100-R/B/W	● ● ○	269	269	
15	CSTG-LPG2250-R/B/W	● ● ○	288	288	
16	CSTG-LPG2400-R/B/W	● ● ○	308	308	

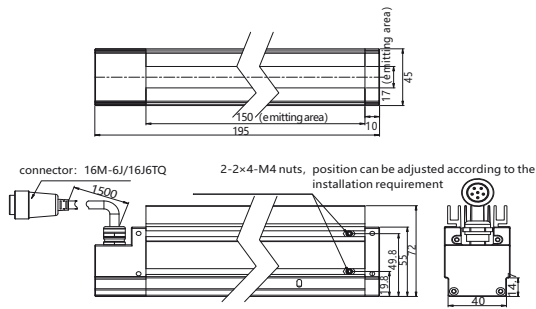
2LPG

Item	CSTG No.	Color	Power(W)		Recommended controller
			R	G/B/W	
17	CSTG-2LPG150-R/B/W	● ● ○	44	54	CSTG-CPL48320C-2T
18	CSTG-2LPG300-R/B/W	● ● ○	87	108	
19	CSTG-2LPG450-R/B/W	● ● ○	130	162	
20	CSTG-2LPG600-R/B/W	● ● ○	173	216	
21	CSTG-2LPG750-R/B/W	● ● ○	216	270	
22	CSTG-2LPG900-R/B/W	● ● ○	260	324	
23	CSTG-2LPG1050-R/B/W	● ● ○	303	378	CSTG-CPL48760C-2T
24	CSTG-2LPG1200-R/B/W	● ● ○	346	432	
25	CSTG-2LPG1350-R/B/W	● ● ○	389	486	
26	CSTG-2LPG1500-R/B/W	● ● ○	432	540	
27	CSTG-2LPG1650-R/B/W	● ● ○	476	594	
28	CSTG-2LPG1800-R/B/W	● ● ○	519	648	
29	CSTG-2LPG1950-R/B/W	● ● ○	562	702	
30	CSTG-2LPG2100-R/B/W	● ● ○	605	756	

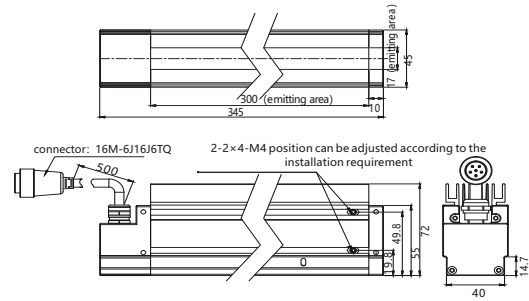
Line light source LPG series

Product dimension drawing(mm)

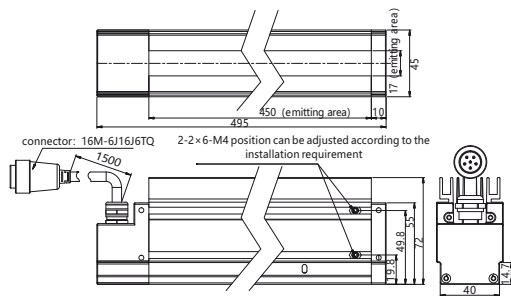
CSTG-LPG150 1



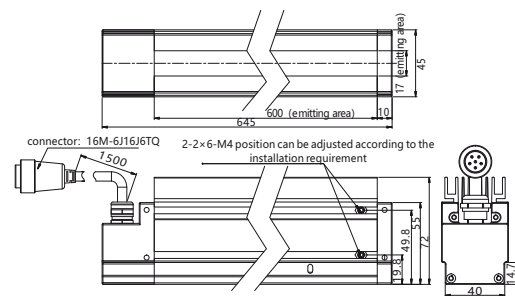
CSTG-LPG300 2



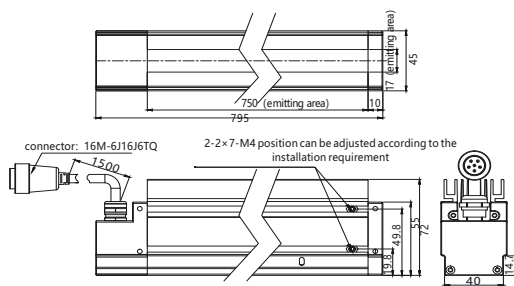
CSTG-LPG450 3



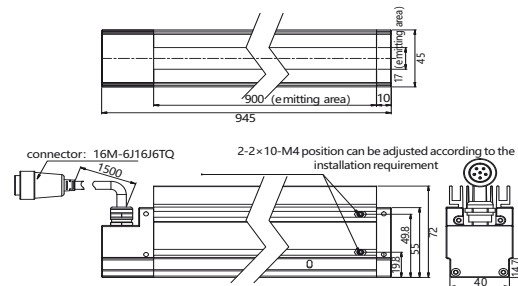
CSTG-LPG600 4



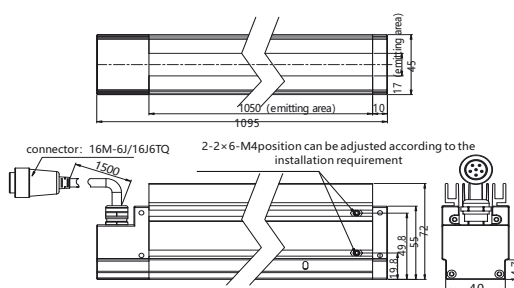
CSTG-LPG750 5



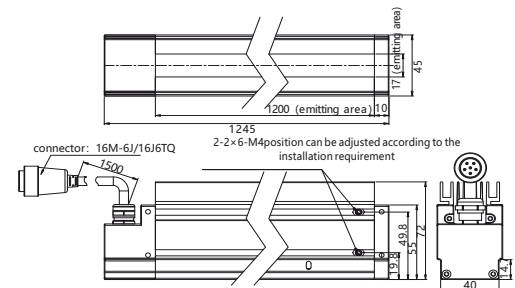
CSTG-LPG900 6



CSTG-LPG1050 7



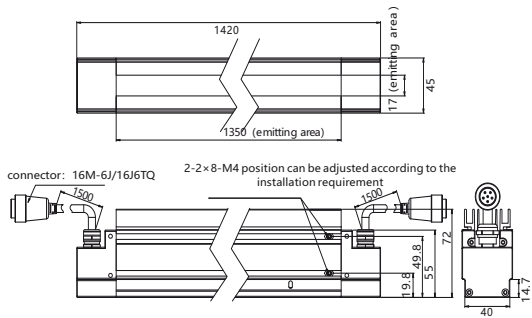
CSTG-LPG1200 8



product dimension drawing(mm)

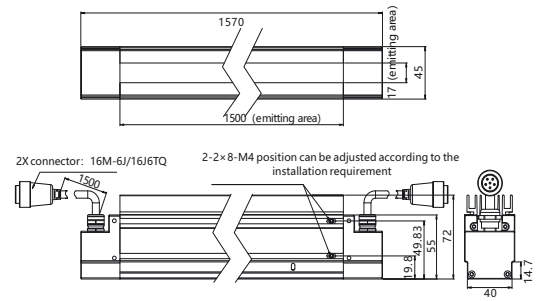
CSTG-LPG1350

9



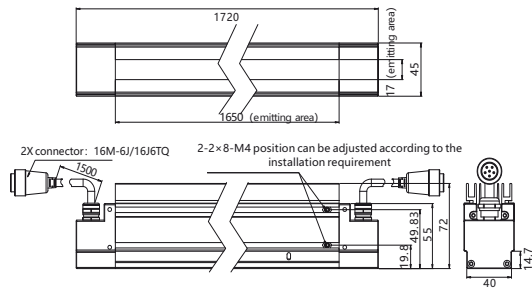
CSTG-LPG1500

10



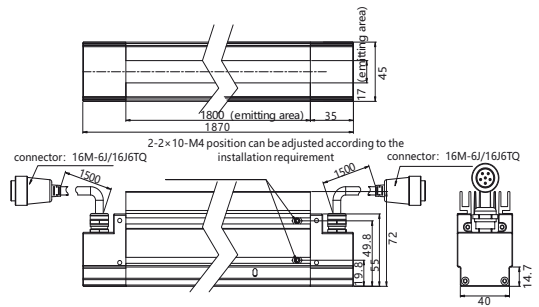
CSTG-LPG1650

11



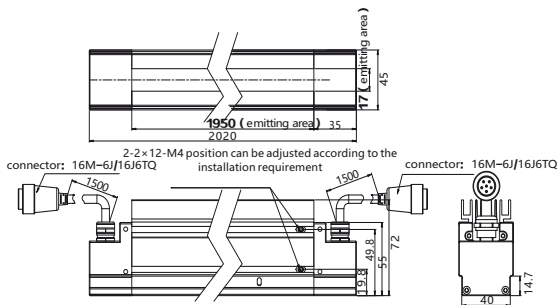
CSTG-LPG1800

12



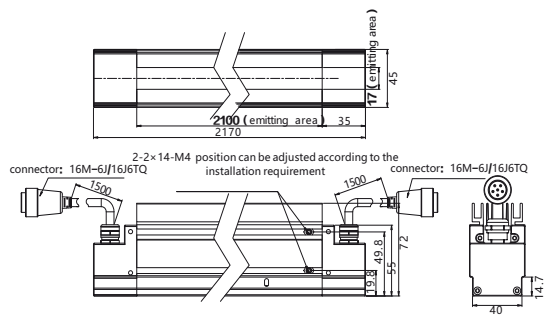
CSTG-LPG1950

13



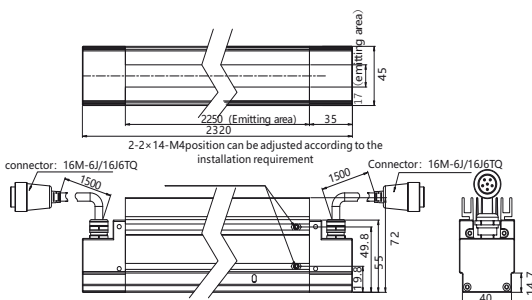
CSTG-LPG2100

14



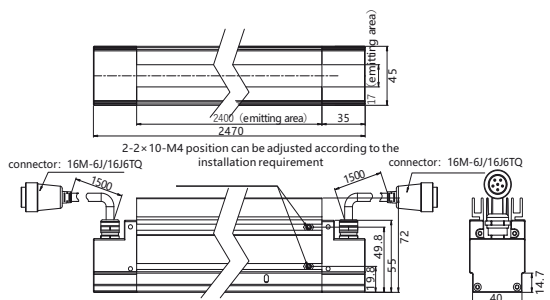
CSTG-LPG2250

15



CSTG-LPG2400

16

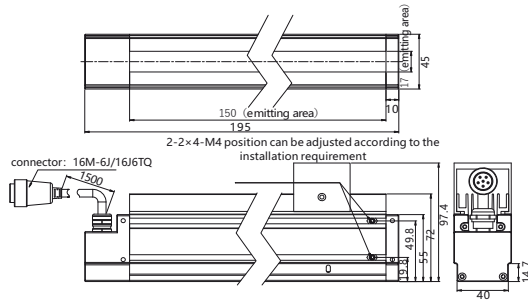


Line light source LPG series

Product dimension drawing(mm)

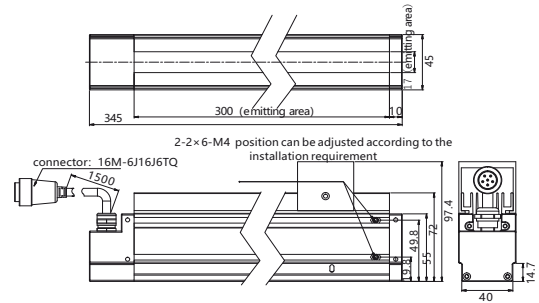
CSTG-2LPG150

17



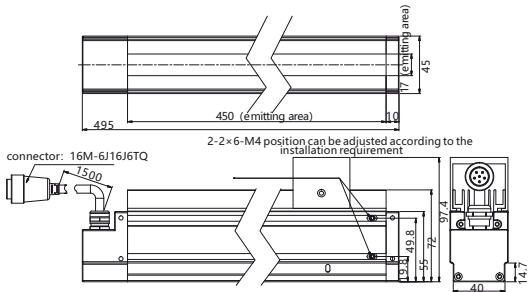
CSTG-2LPG300

18



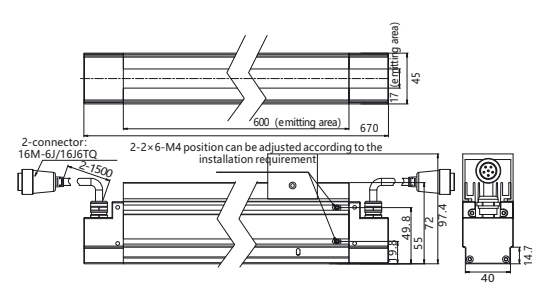
CSTG-2LPG450

19



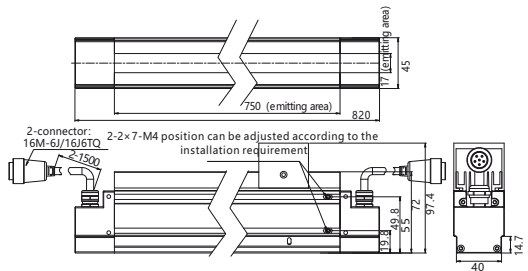
CSTG-2LPG600

20



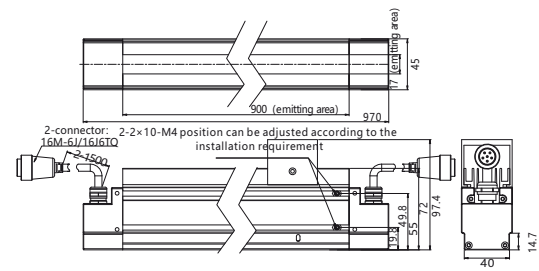
CSTG-2LPG750

21



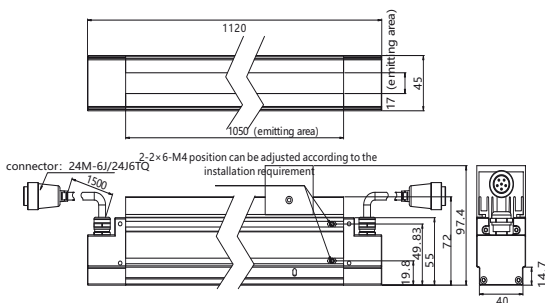
CSTG-2LPG900

22



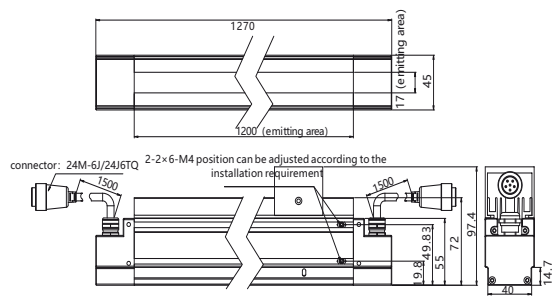
CSTG-2LPG1050

23



CSTG-2LPG1200

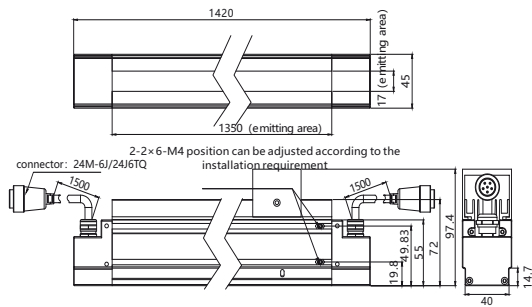
24



Product dimension drawing(mm)

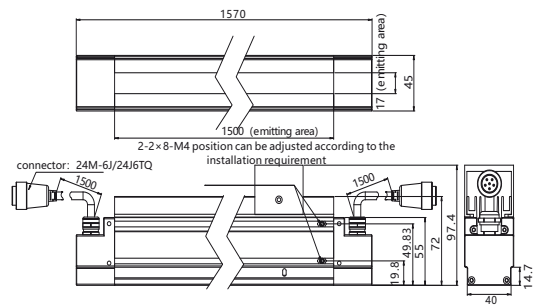
CSTG-2LPG1350

25



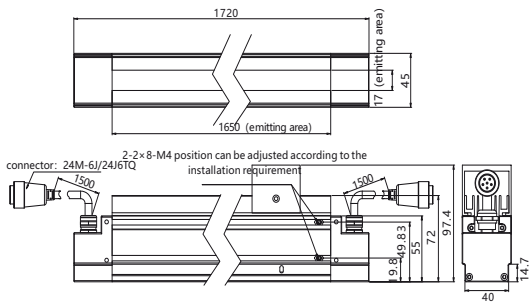
CSTG-2LPG1500

26



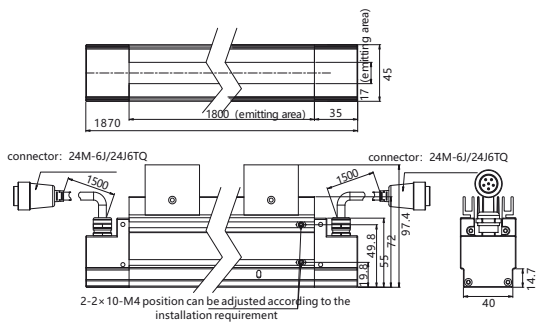
CSTG-2LPG1650

27



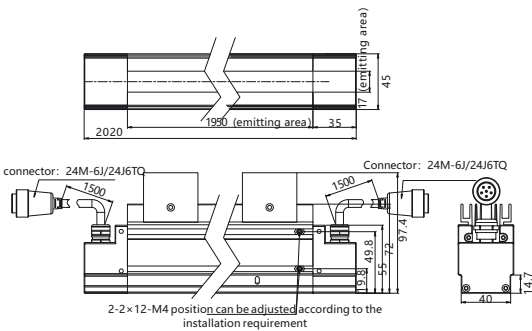
CSTG-2LPG1800

28



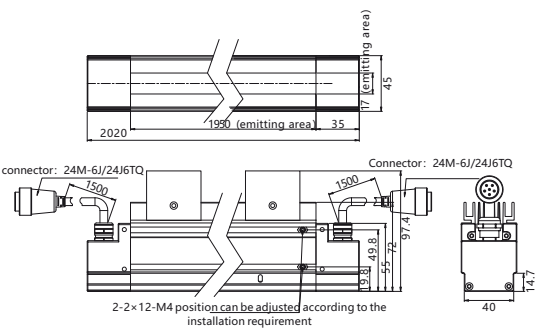
CSTG-2LPG1950

29



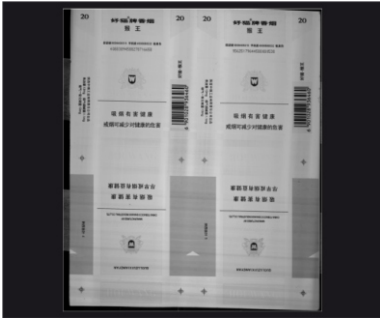
CSTG-2LPG2100

30



Line light source LPG series

Image cases



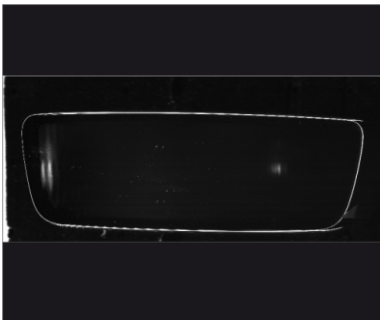
CSTG-2LPG300-W
Printing inspection



CSTG-2LPG300-W
Printing quality inspection



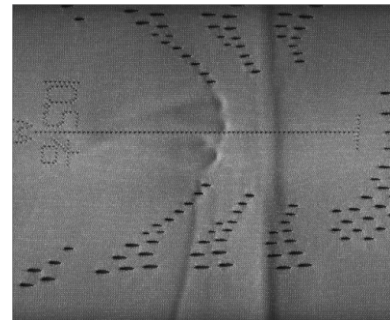
CSTG-2LPG450-W
Screen inspection for Keyboard



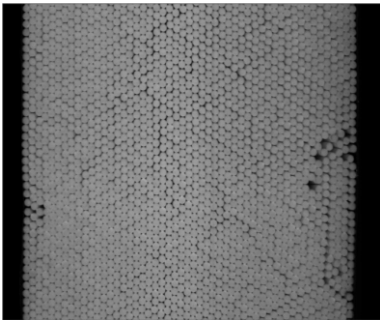
CSTG-2LPG450-W
Rearview mirror flatness
inspection Dark environment



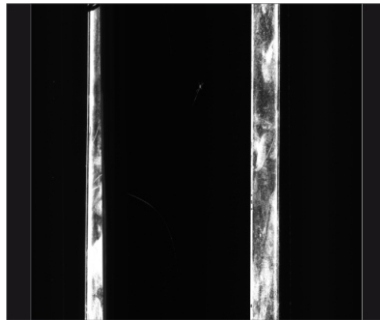
CSTG-2LPG450-W
Rearview mirror flatness inspection
Bright environment



CSTG-2LPG600-IR850
Piece goods defect inspection



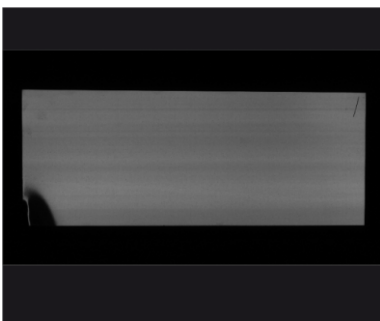
CSTG-2LPG1050-W
Qty of cigarette holders inspection



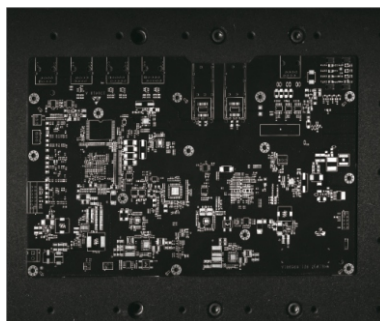
CSTG-2LPG1500-W
Screen defect inspection



CSTG-2LPG450-R
Cosmetics character inspection



CSTG-2LPG450-W
Copper sheet defect inspection

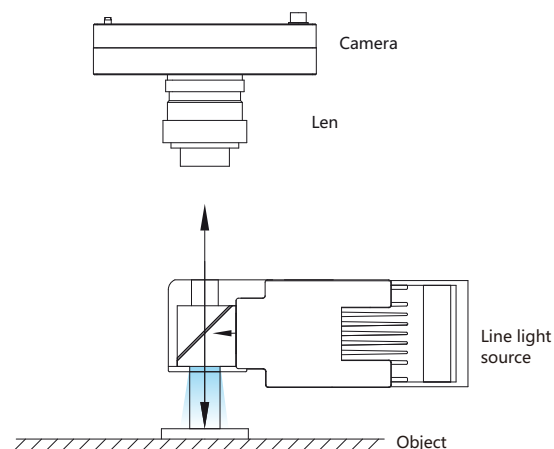
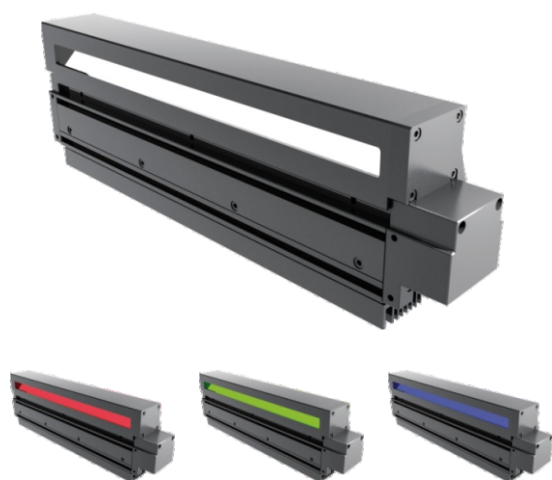


CSTG-2LPG450-R
PCB board inspection



CSTG-2LPG450-R
PCB board one-dimensional
code inspection

Line light source CULPG series



Product feature

- The coaxial light is composed of LPG series light source plus a coaxial module.

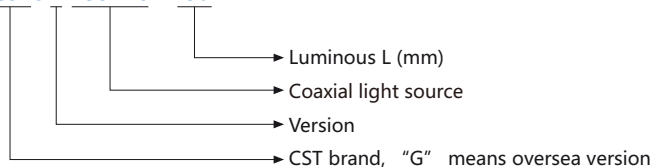
Application

- Inspection of various membrane appearance.
- Inspection the dirty of stell plate.
- PCB board component inspection.
- Inspection of shrink mark of resin.
- Inspection the size of steel plate
- Inspection the appearance of lithium battery
- Electronic cigarette surface defect inspection
- Filter number inspection

CSTG No.

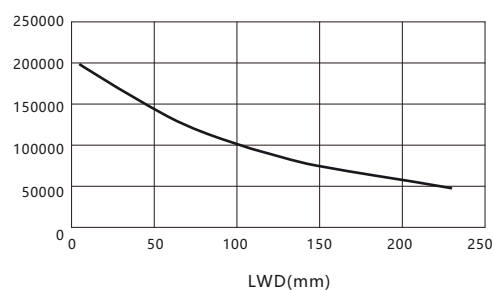
Coaxial light source (CSTG- CULPGseries)

CSTG -2 CULPG - 150



Illuminance graph

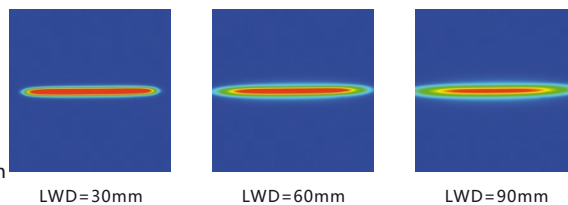
CSTG-CULPG450-W



Uniform chart of light source

CSTG-CULPG300-W

FOV: 220×220mm



Wave length/color temp	Red	620-630 nm	IR	850-940 nm
	Blue	465-475 nm	UV	365-405 nm
	White	6000-10000K	Green	520-530 nm
Storage environment	Temperature	-20-60°C	Humidity	20-85%RH(Non-condensation)
Using environment		0-40°C		
Option accessories	Extension cable			
Controller	CSTG-CPL48320C-2T (The selected controller should match the power of the light source)			
Service life	When the environment at 25°C, the red color works continuously for 60000 hours with 50% illumination,the decrement at 50%			
	When the environment at 25°C, the white color works continuously for 30000 hours with 50% illumination,the decrement at 50%			
Quality assurance	CSTG products shipped out within 1 year, the fault not caused by personal reason, will provide free maintenance or replacement services			

Line light source CULPG series

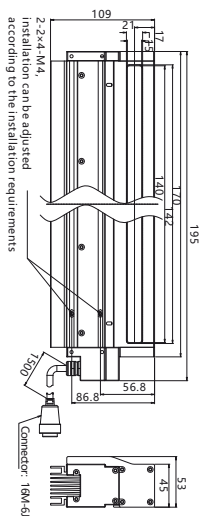
Specification

Item	CSTG No.	Color	Power(W)		Luminous size (mm)	Overall size(mm)			Recommended controller
			R	G/B/W		L	W	H	
1	CSTG-CULPG150-R/B/W	● ● ○	20	20	140×15	195	53	109	CSTG-CPL48320C-2T
2	CSTG-CULPG300-R/B/W	● ● ○	39	39	290×15	345	53	109	CSTG-CPL48320C-2T
3	CSTG-CULPG450-R/B/W	● ● ○	58	58	440×15	395	53	109	CSTG-CPL48320C-2T

Product dimension drawing(mm)

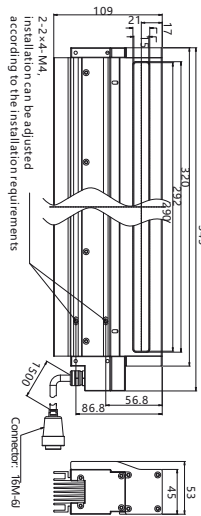
CSTG-CULPG150

1



CSTG-CULPG300

2



CSTG-CULPG450

3

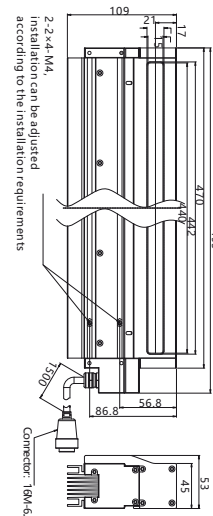
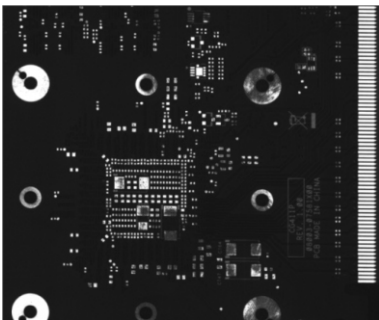


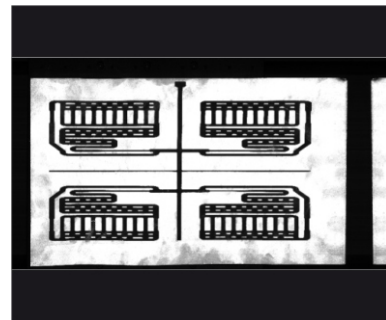
Image cases



CSTG-CULPG450-R
PCB defect inspection

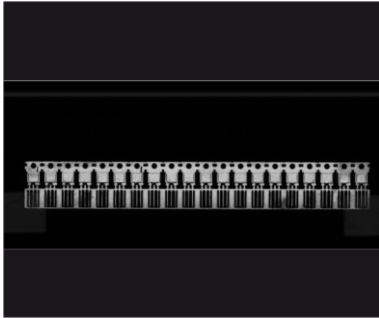


CSTG-CULPG450-W
Edge breakage inspection for
mobile phone screen

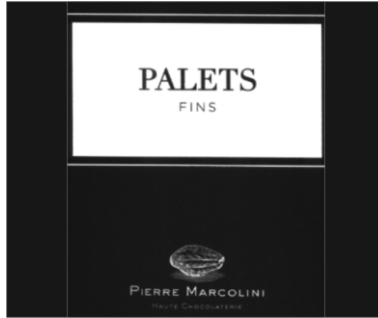


CSTG-CULPG150-B
Logo character inspection

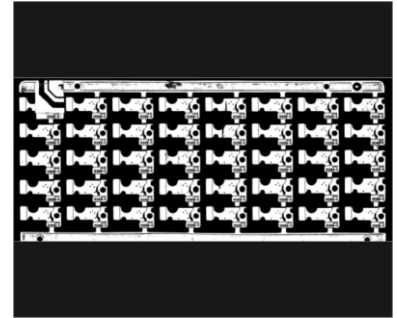
Image cases



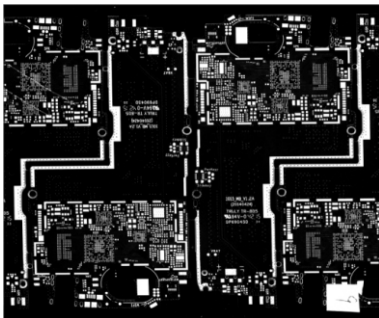
CSTG-CULPG300-R
Copper plate defect inspection



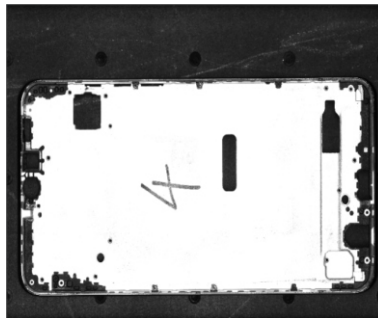
CSTG-CULPG300-W
Character inspection on the package



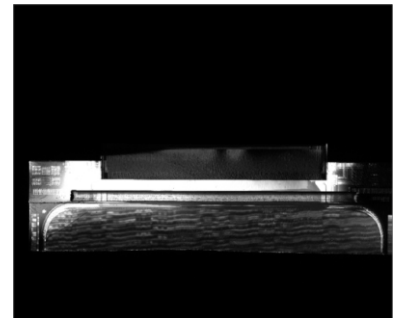
CSTG-CULPG450-B
PCB board character inspection



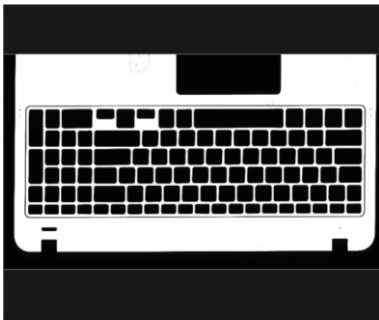
CSTG-CULPG450-R
PCB bonding pad inspection



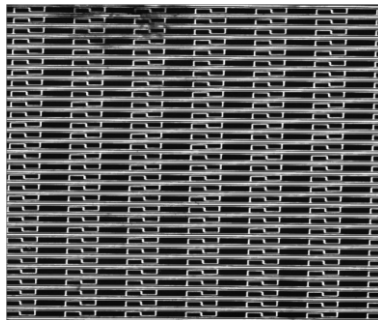
CSTG-CULPG450-B
Accessories inspection for mobile phone



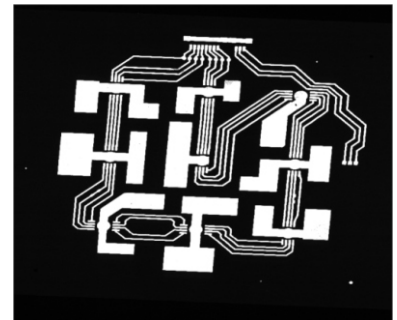
CSTG-CULPG450-R
FPC surface glue inspection



CSTG-CULPG450-R
Notebook inspection



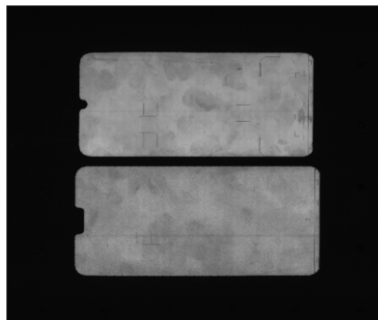
CSTG-CULPG450-R
PCB surface defect inspection



CSTG-CULPG450-W
Circuit board inspection



CSTG-CULPG450-W
Piece goods surface defect inspection

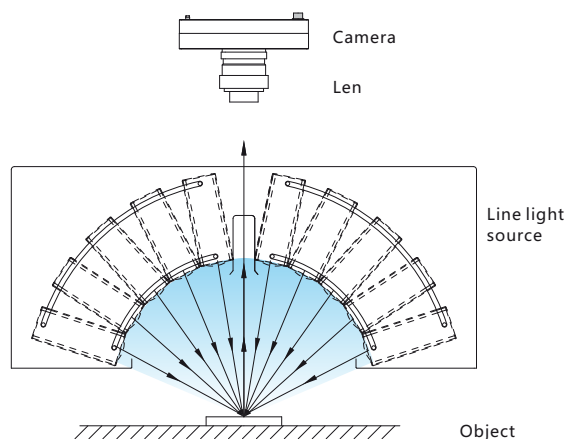


CSTG-CULPG450-W
Laser line inspection



CSTG-CULPG450-W
Circuit board surface inspection

Line light source MAS Series



Product feature

- ◆ Special optical design, high brightness, anti - reflective
- ◆ Luminous concentration, high uniformity
- ◆ The brightness and quantity of line light can be adjusted separately according to actual needs

CSTG No.

Line light source(CSTG-MAS Series)

CSTG - 2 MAS 300 - R

- Color: R, G, B, W
- Observation port length(mm)
- MAS Series
- Version identification number
- CST brand, "G" means oversea version

Application

- ◆ Inspection the defect for the glass cover plate of mobile phone
- ◆ Inspection the defect of Mobile phone screen
- ◆ Backlight module inspection
- ◆ Metal surface scratch inspection
- ◆ Inspection the products in high speed sport
- ◆ Inspection the defect of card surface

Wave length/color temp	Red	620-630 nm	IR	850-940 nm
	Blue	465-475 nm	UV	365-405 nm
	White	6000-10000K	Green	520-530 nm
Storage environment	Temperature	-20-60°C	Humidity	20-85%RH(Non-condensation)
Using environment		0-40°C		
Option accessories	Extension cable			
Controller	CSTG-MAS302-W, CSTG-2MAS236-W (The selected controller should match the power of the light source)			
Service life	When the environment at 25°C, the red color works continuously for 60000 hours with 50% illumination,the decrement at 50%			
	When the environment at 25°C, the white color works continuously for 30000 hours with 50% illumination,the decrement at 50%			
Quality assurance	CSTG products shipped out within 1 year, the fault not caused by personal reason, will provide free maintenance or replacement services			

Line light source MAS Series

Specification

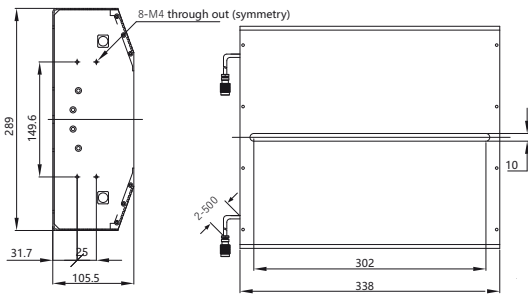
MAS		
Item	CSTG No.	Power(W)
1	CSTG-MAS302-W	142

2MAS		
Item	CSTG No.	Power(W)
1	CSTG-2MAS236-W	224
2	CSTG-2MAS300-W	336
3	CSTG-2MAS354-W	432

Product dimension drawing(mm)

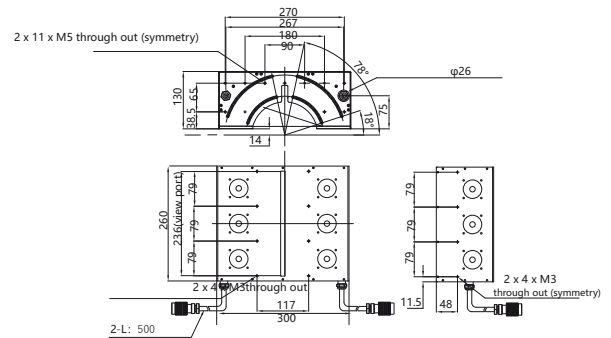
CSTG-MAS302

1



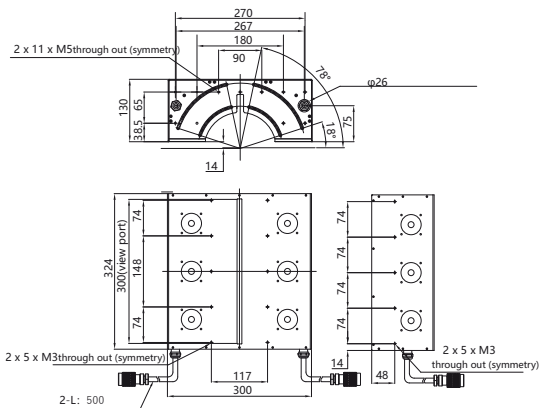
CSTG-2MAS236

2



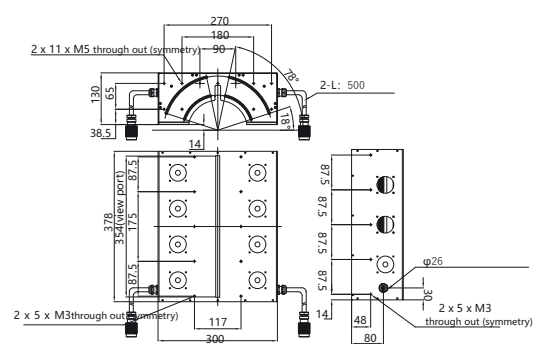
CSTG-2MAS300

3



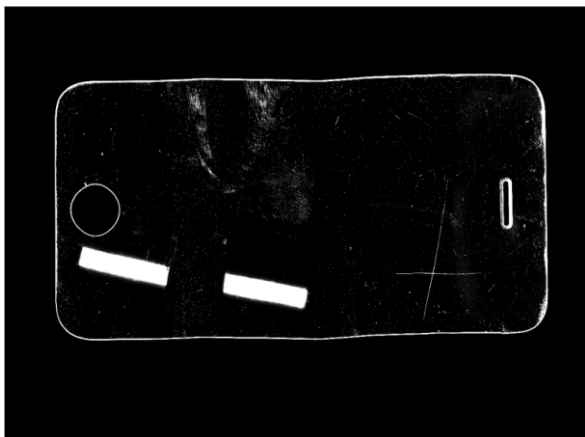
CSTG-2MAS354

4

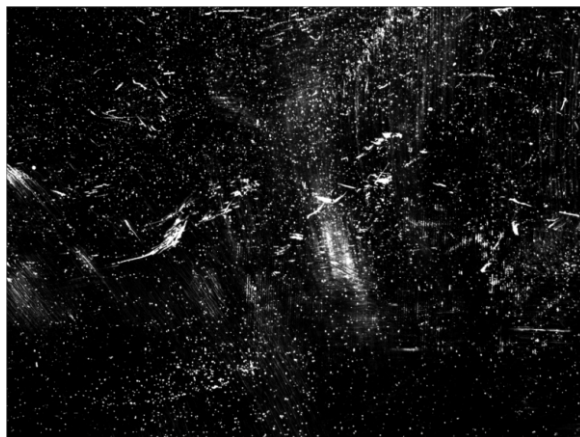


Line light source MAS Series

Image case



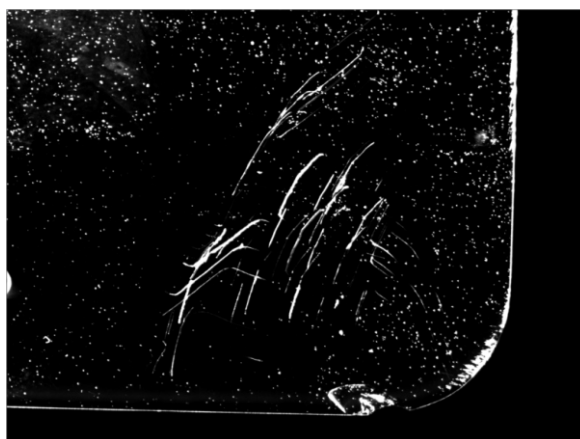
CSTG-MAS300-W
Screen defect inspection



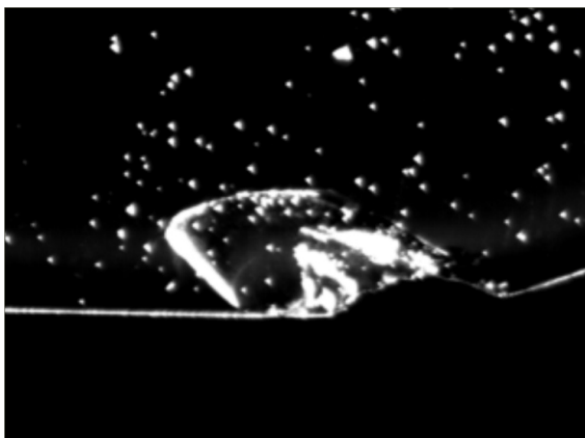
CSTG-MAS300-W
2.5d Inspection the defect of Mobile
phone glass surface



CSTG-MAS300-W
2.5d Inspection the defect of Mobile
phone glass surface



CSTG-MAS300-W
Inspection the defect of Mobile
phone glass surface



CSTG-MAS300-W
Inspection the edge breakage of
Mobile phone screen



CSTG-MAS300-W
Inspection the fingerprint on mobile
phone screen

Mult-color light source RGB Series



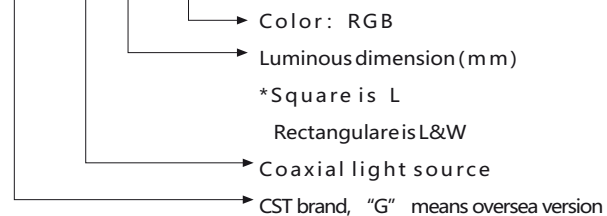
Product feature

- High density LED display, high brightness
- Different color combinations, highlight 3d information of objects
- Each group of lighting area can be controlled independently, can choose monochrome, meet a variety of different sizes of measured objects
- Optional multi-color, easy to use for a multi color occasions

CSTG No.

Mult-color light source (CSTG-RGB Series)

CSTG - COS 40 - RGB



Application

- Various color edge extraction
- Various color appearance inspection
- QR code, barcode reading
- Inspection the defects of wiper surface
- Inspection mult-color products
- Inspection the defects of wiper surface

Wave length/color temp	Red	620-630 nm	White	6000-6500K
	Blue	465-475 nm		
	Green	520-530 nm		
Storage environment	Temp	-20-60°C	Humidity	20-85%RH(Non-condensation)
Using environment		0-40°C		
Option accessories	Extension cable			
Controller	CSTG-DPS Series, CSTG-APS Series, CSTG-SPS Series (The selected controller should match the power of the light source)			
Service life	When the environment at 25°C, the red color works continuously for 60000 hours with 50% illumination,the decrement at 50%			
	When the environment at 25°C, the white color works continuously for 30000 hours with 50% illumination,the decrement at 50%			
Quality assurance	CSTG products shipped out within 1 year, the fault not caused by personal reason, will provide free maintenance or replacement services			

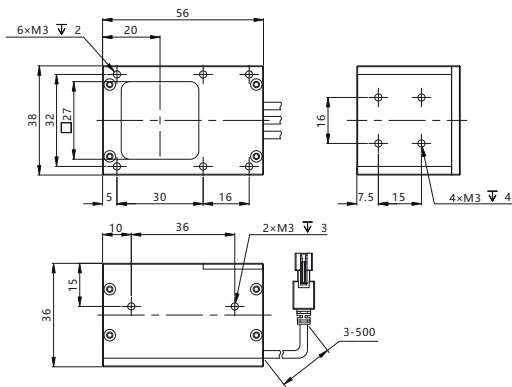
Mult-color light source RGB Series

Specification

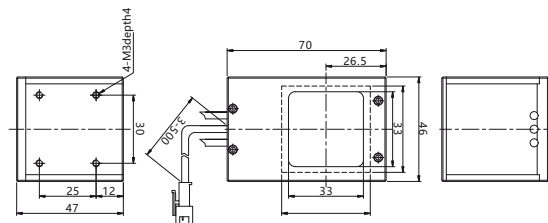
Item	CSTG No.	Color	Power(W)	Luminous dimension (mm)	Overall dimension(mm)			Recommended controller
1	CSTG-COS30-RGB-M		2.1	30×32	67	40	40	CSTG-DPS、CSTG-APS、CSTG-SPS
2	CSTG-COS40-RGBS-M		5.1	38×42.4	80	46	47	CSTG-DPS、CSTG-APS、CSTG-SPS
3	CSTG-COS5540-RGBAKX-M		7.1	55×40	73	63	45	CSTG-DPS、CSTG-APS、CSTG-SPS
4	CSTG-RS7390-RGBHC-M		5.9	65	73		19.5	CSTG-DPS、CSTG-APS、CSTG-SPS
5	CSTG-HRS90-RGBS-M		14	77	90		25.5	CSTG-DPS、CSTG-APS、CSTG-SPS
6	CSTG-HBS27026-RGB-M		11	258×18	270	26	43.9	CSTG-DPS、CSTG-APS、CSTG-SPS

Product dimension drawing(mm)

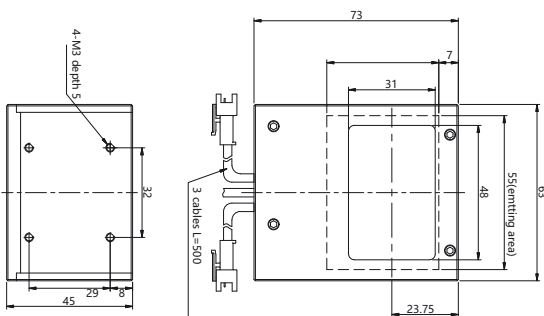
CSTG-COS30-M 1



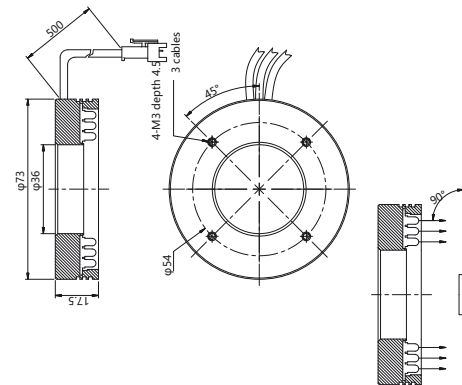
CSTG-COS40-M 2



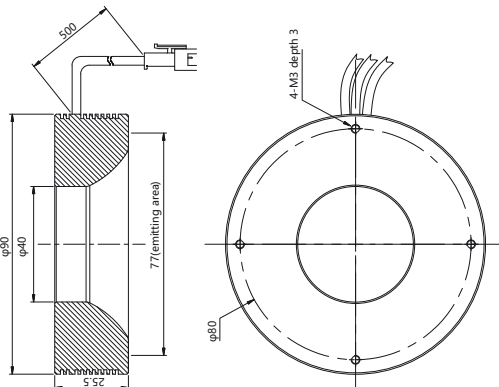
CSTG-COS5540-AKX-M 3



CSTG-RS7390-HC-M 4



CSTG-HRS90-S-M 5



CSTG-HBS27026-M 6

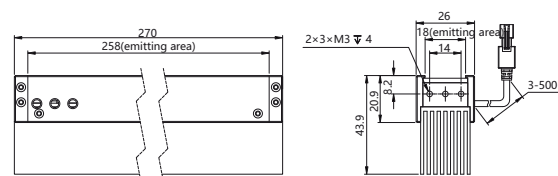


Image case



White light



CSTG-HBS27026-RGB-M
Red light



CSTG-HBS27026-RGB-M
Blue light



CSTG-HBS27026-RGB-M
Green light



White light



CSTG-HRS90-RGBS-M
Red light

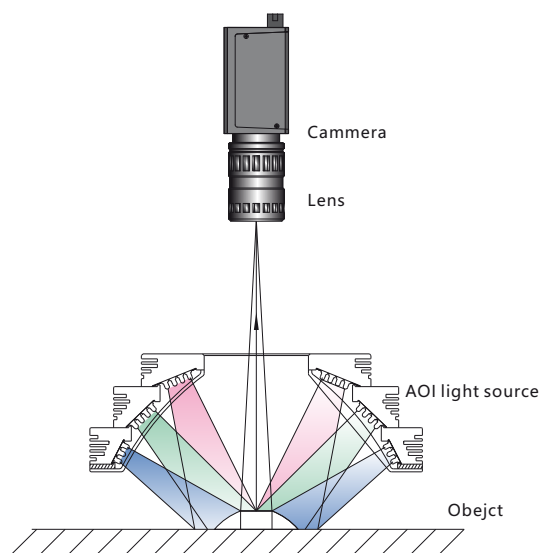
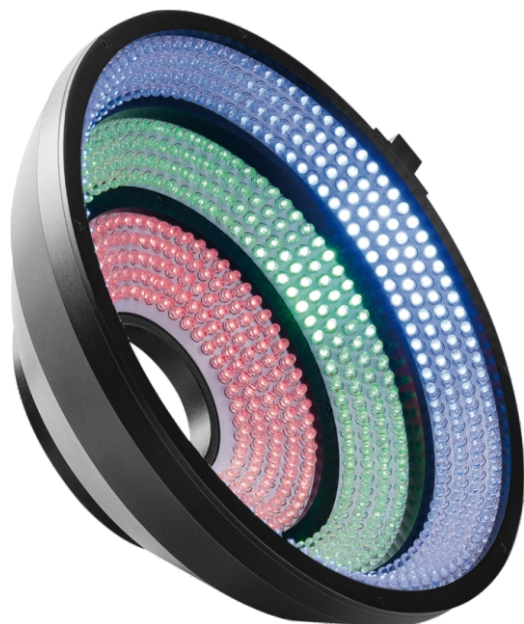


CSTG-HRS90-RGBS-M
Blue light



CSTG-HRS90-RGBS-M
Green light

AOI Light source SAI Series



Product feature

- ◆ Three - color lighting from different angles, can highlight the three - dimensional information of solder
- ◆ Multi-color and multi-angle lighting, which can accurately reflect the surface slope information of the object, dedicated to AOI and mostly used for the detection of annular defects
- ◆ Each color can be independently controlled
- ◆ Can be customized according to customer requirements

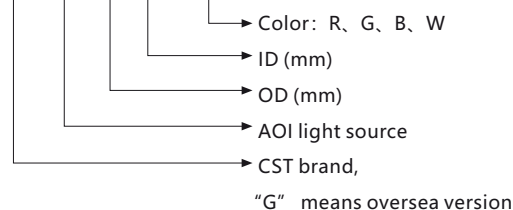
Application

- ◆ Inspection the welding quality of the electronic components, including screen printing characters, presence and absence of components, false welding, missing welding, continuous welding, welding deviation, etc
- ◆ Metal surface scratch inspection
- ◆ Inspection the scratch, pits on the surface of high reflective objects.
- ◆ Inspection the surface defect of rubber ring products
- ◆ Inspection the scratches and dirty of filter surface

CSTG No.

AOI light source (CSTG-SAI Series)

CSTG - SAI 116 22 - RGB



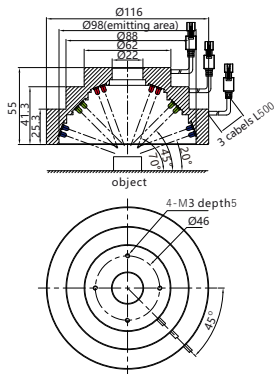
Wave length/color temp	Red	620-630 nm		
	Blue	465-475 nm		
	Green	520-530 nm		
Storage environment	Temp	-20-60°C	Humidity	20-85%RH(Non-condensation)
Using environment		0-40°C		
Option accessories	Extension cable			
Controller	CSTG-DPS Series (The selected controller should match the power of the light source)			
Service life	When the environment at 25°C, the red color works continuously for 60000 hours with 50% illumination, the decrement at 50% When the environment at 25°C, the white color works continuously for 30000 hours with 50% illumination, the decrement at 50%			
Quality assurance	CSTG products shipped out within 1 year, the fault not caused by personal reason, will provide free maintenance or replacement services			

Specification

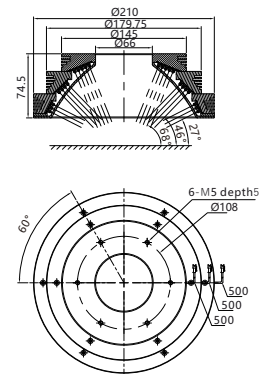
Item	CSTG No.	Color	Power(W)	Luminous size (mm)	Overall size(mm)			Recommended controller
					OD	ID	H	
1	CSTG-SAI11622-RGB-M		17	98	116	22	55	CSTG-DPS、CSTG-APS、CSTG-SPS
2	CSTG-SAI21066-RGB-M2		43	178.5	210	66	74.5	CSTG-DPS、CSTG-APS、CSTG-SPS
3	CSTG-SAI230114-RGB-M		75	215.8	230	114	67	CSTG-DPS、CSTG-APS、CSTG-SPS
4	CSTG-SAI245140-RGBW-M		86	223.6	245	140	76	CSTG-DPS、CSTG-APS、CSTG-SPS
5	CSTG-SAI280174-RGB-M		68	227	280	172×20	81	CSTG-DPS、CSTG-APS、CSTG-SPS

Product dimension(mm)

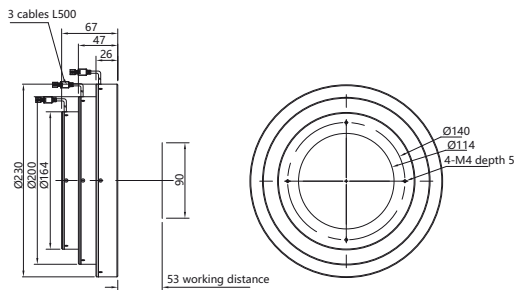
CSTG-SAI11622-M 1



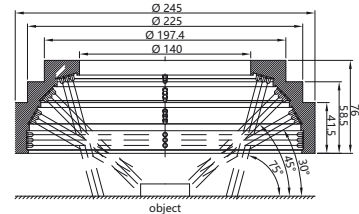
CSTG-SAI21066-M2 2



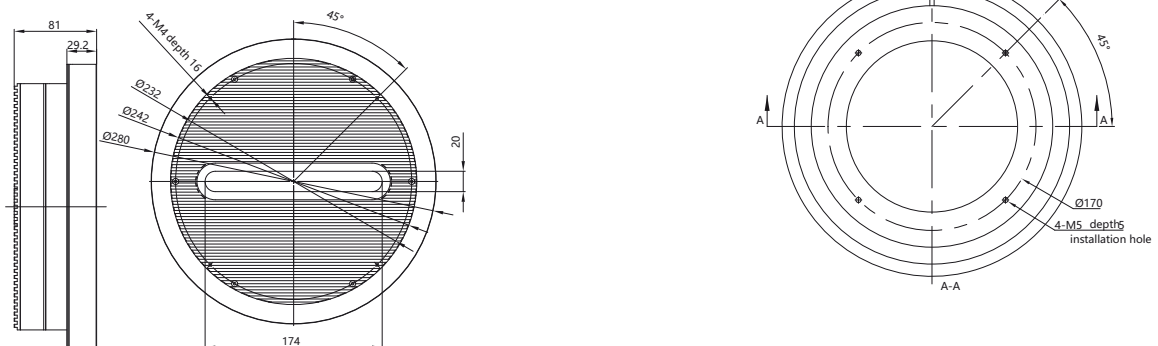
CSTG-SAI230114-M 3



CSTG-SAI245140-M 4

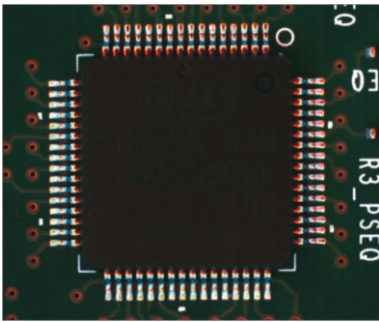


CSTG-SAI280174-M 5

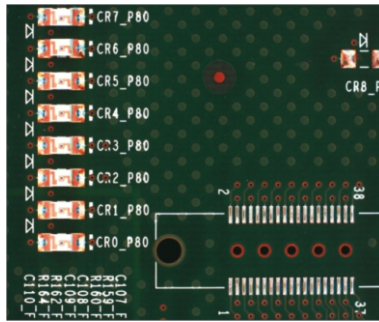


AOI light source SAI Series

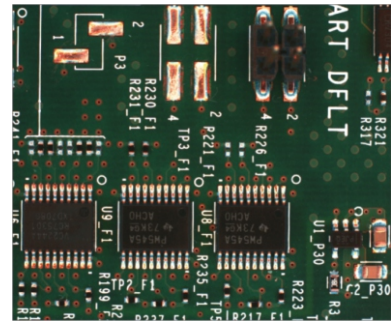
Image case



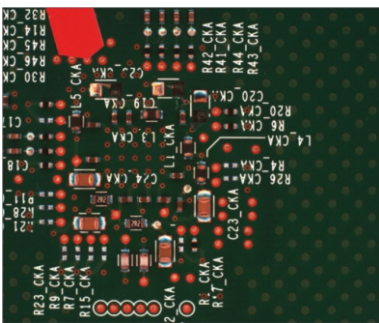
CSTG-SAI18045-RGB-M
Inspection the solder of circuit board



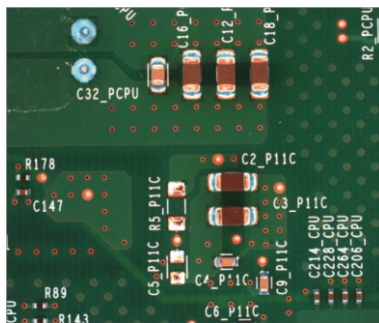
CSTG-SAI18045-RGB-M
Solder inspection PCB



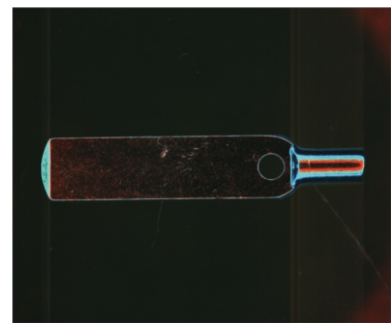
CSTG-SAI18045-RGB-M
Inspection the solder of circuit board



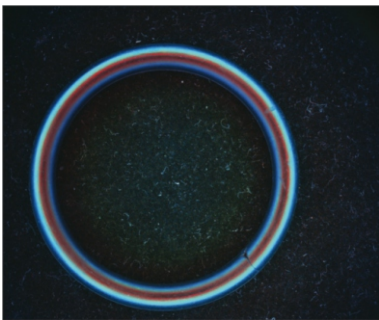
CSTG-SAI230114-RGB-M2
Solder inspection PCB



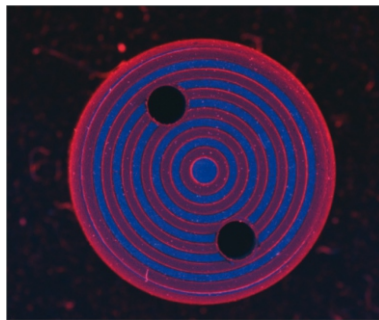
CSTG-SAI230114-RGB-M2
Inspection the solder of circuit board



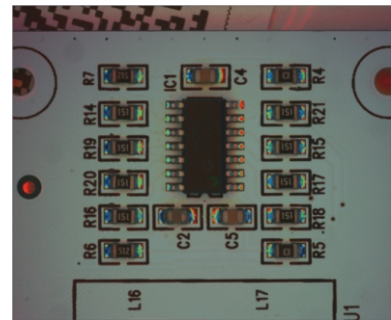
CSTG-SAI18045-RGB
scratch inspection



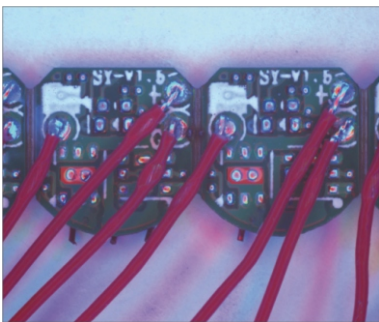
CSTG-SAI18045-RGB
Inspection the defect for O-ring



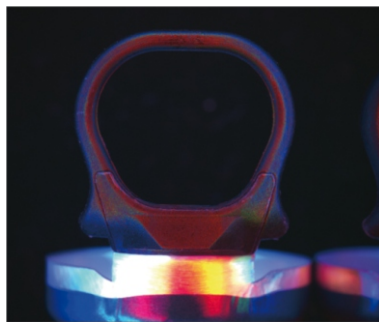
CSTG-SAI21066-RGB
Inspection the defect for the surface of O-ring



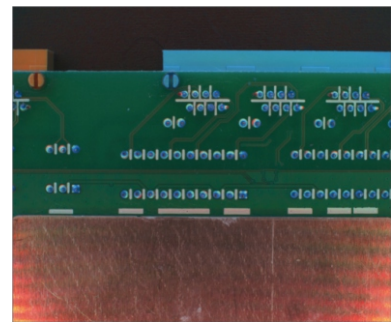
CSTG-SAI21066-RGB
Solder inspection PCB



CSTG-SAI21066-RGB
Solder inspection for PCB



CSTG-SAI21066-RGB-M2
Inspection the defect for the pull-ring



CSTG-SAI230114-RGB-M2
Solder inspection for PCB

UV light source UV series



Product feature

- ◆ Using imported high output uv-led.
- ◆ Using the difference in scattering rates for a variety measurements.
- ◆ Using the difference in spectral reflectance for a variety measurements .

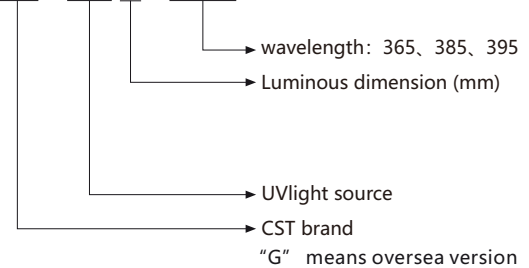
Application

- ◆ By stimulating the fluorescence to check the sealing material
- ◆ Using the difference in spectral reflectance for a variety measurements
- ◆ Invisible barcode reading.
- ◆ ITO location inspection.
- ◆ Size measurement.
- ◆ Inspection the glue of the internal earphone.

CSTG No.

UV light source (CSTG-UVseries)

CSTG - COS 40 - UV365



Wave length	UV	365-405 nm		
Storage environment	Temperature	-20-60°C	Humidity	20-85%RH(Non-condensation)
Using environment		0-40°C		
Option accessories	Extension cable			
Controller	CSTG-DPSeries、CSTG-APSeries、CSTG-SPSeries、CSTG-CPLSeries (The selected controller should match the power of the light source)			
Service life	When the environment at 25°C, the red color works continuously for 60000 hours with 50% illumination,the decrement at 50%			
	When the environment at 25°C, the white color works continuously for 30000 hours with 50% illumination,the decrement at 50%			
Quality assurance	CSTG products shipped out within 1 year, the fault not caused by personal reason, will provide free maintenance or replacement services			

UV light source UV Series

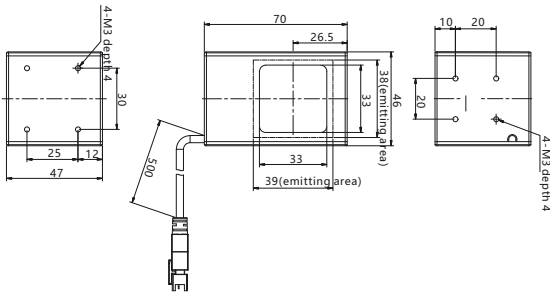
Specification

Item	CSTG No.	Color	Power(W)	Luminous dimension (mm)	Overall size(mm)			Recommended controller
					L70	W46	H47	
1	CSTG-COS40-UV365	●	2.8	38×39	L70	W46	H47	CSTG-DPS、CSTG-APS、CSTG-SPS
2	CSTG-RS5060-UV365	●	3.1	44	OD50	ID28.5	H14.5	CSTG-DPS、CSTG-APS、CSTG-SPS
3	CSTG-RS7430-UV365	●	4.1	62.4	OD74	ID40	H20	CSTG-DPS、CSTG-APS、CSTG-SPS
4	CSTG-RS9070-UV365	●	11	82	OD90	ID44	H20	CSTG-DPS、CSTG-APS、CSTG-SPS
5	CSTG-RS12070-UV365	●	15	109.8	OD120	ID65	H22	CSTG-DPS、CSTG-APS、CSTG-SPS
6	CSTG-RS13220-UV365	●	13	113.4	OD132	ID96	H22	CSTG-DPS、CSTG-APS、CSTG-SPS
7	CSTG-BS8629-UV365	●	4.2	74×26	L86	W29	H18	CSTG-DPS、CSTG-APS、CSTG-SPS
8	CSTG-BS15030-UV365	●	6.3	140×25	L150	W30	H24	CSTG-DPS、CSTG-APS、CSTG-SPS
9	CSTG-BS20540-UV365	●	13	175×33	L205	W40	H38	CSTG-DPS、CSTG-APS、CSTG-SPS
10	CSTG-BS27840-UV365	●	19	266×31	L278	W40	H36	CSTG-DPS、CSTG-APS、CSTG-SPS
11	CSTG-SPL0854-UV365	●	1.9	6	Od24	ID8	H54	CSTG-CPL0510A-2T

Product dimension drawing(mm)

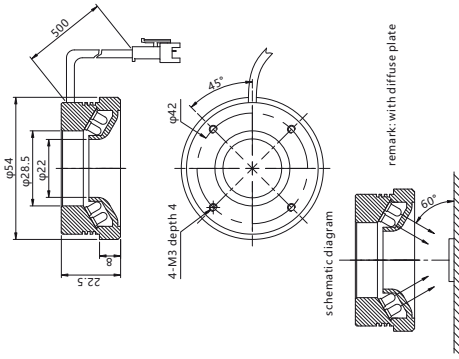
CSTG-COS40

1



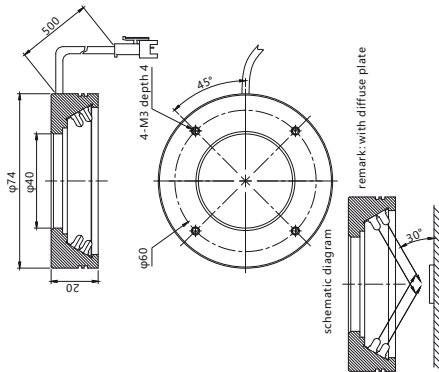
CSTG-RS5060

2



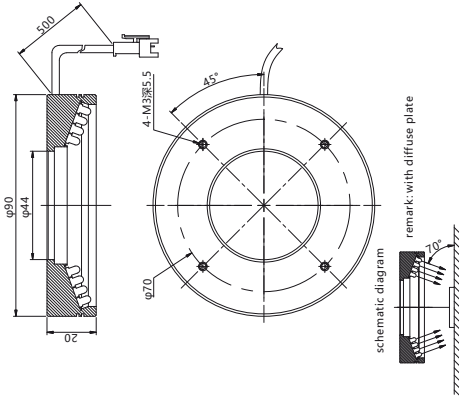
CSTG-RS7430

3



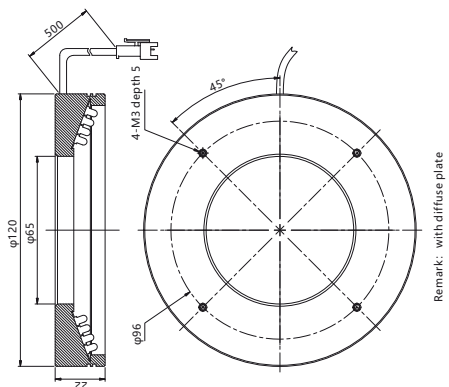
CSTG-RS9070

4

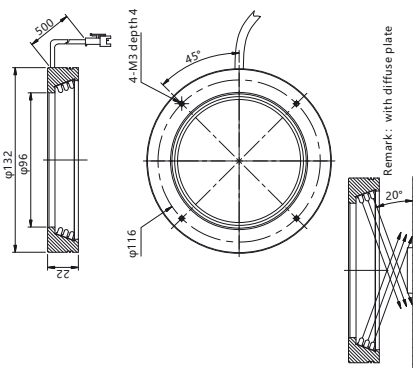


Product dimension drawing(mm)

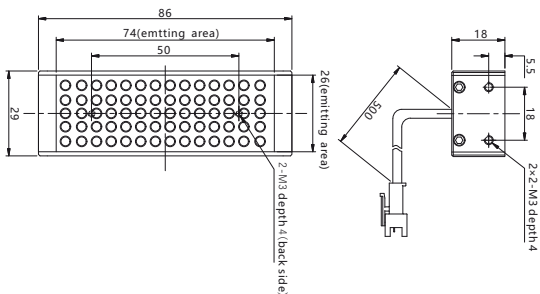
CSTG-RS12070 5



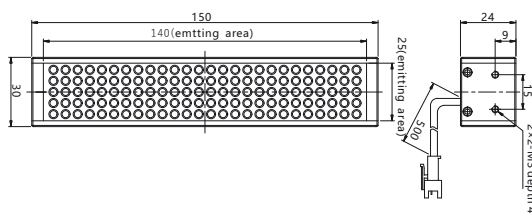
CSTG-RS13220 6



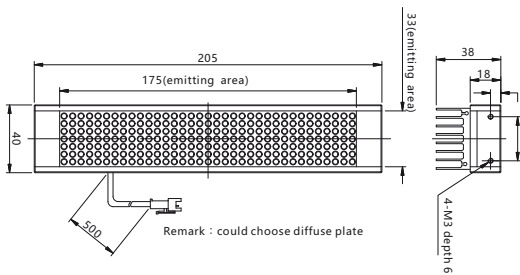
CSTG-BS8629 7



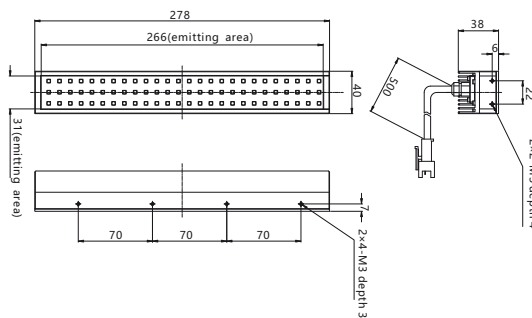
CSTG-BS15030 8



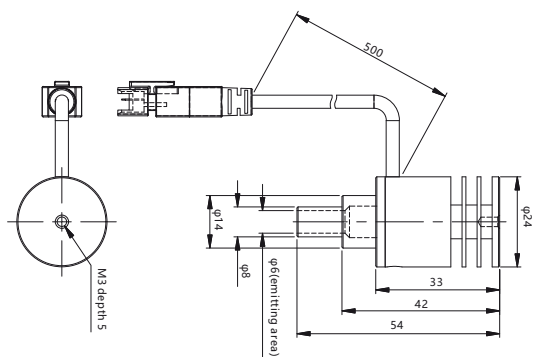
CSTG-BS20540 9



CSTG-BS27840 10

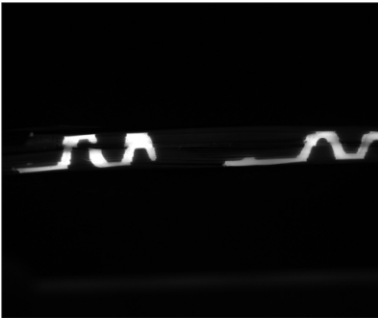


CSTG-SPL0854 11

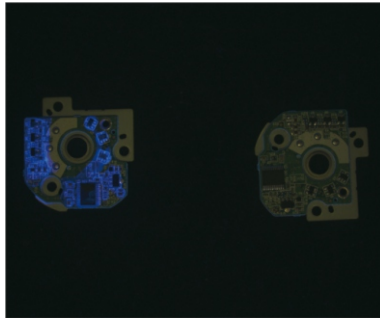


UV light source UV series

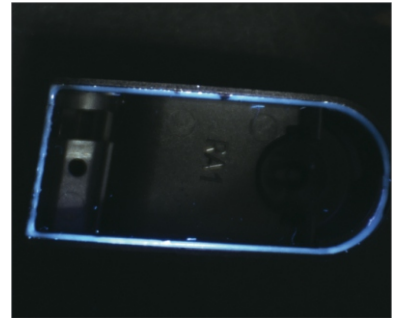
Image cases



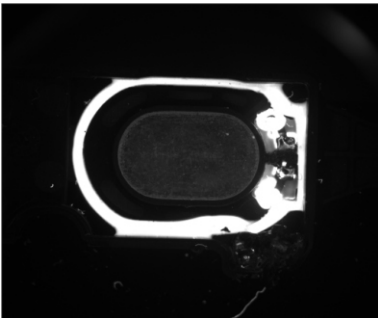
CSTG-2BS14738-UV365
UV glue inspection for Battery



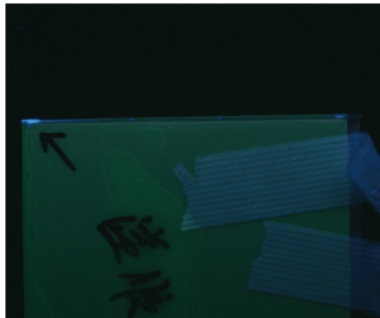
CSTG-BS14728-UV365
UV glue inspection for circuit board



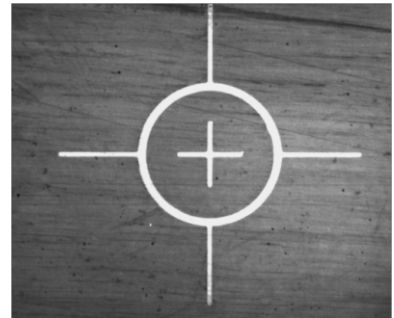
CSTG-BS14728-UV365
UV glue inspection for circuit mouse



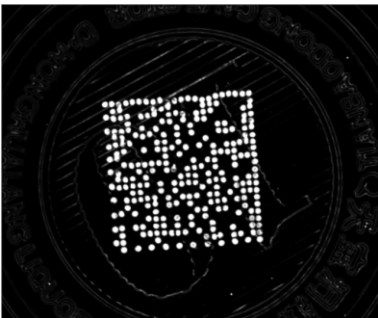
CSTG-RS7460-UV365
UV glue inspection for loudspeaker



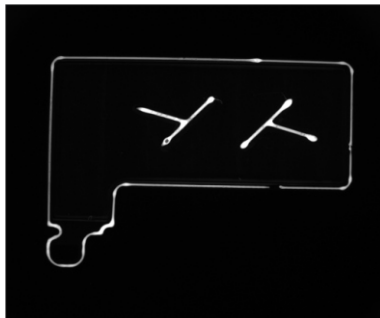
CSTG-BS20540-UV365
Glue inspection Lithium battery



CSTG-COS40-UV365
ITO positioning inspection



CSTG-RS7390-UV365
Bottle cap invisible RQ code inspection



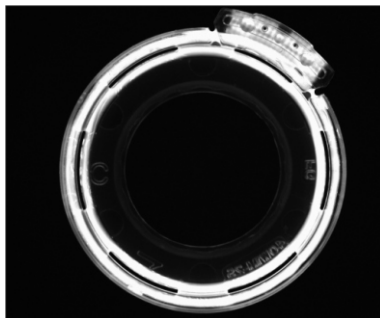
CSTG-RS7460-UV365
UV glue breaks inspection for glass



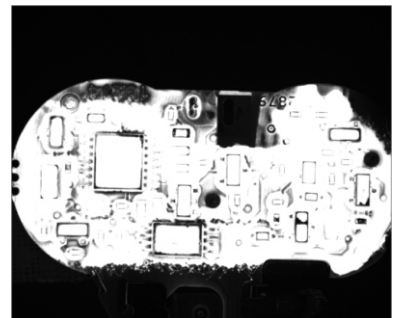
CSTG-RS7460-UV365
Bottle cap invisible RQ code inspection



CSTG-2BS20540-UV365
Glue area inspection

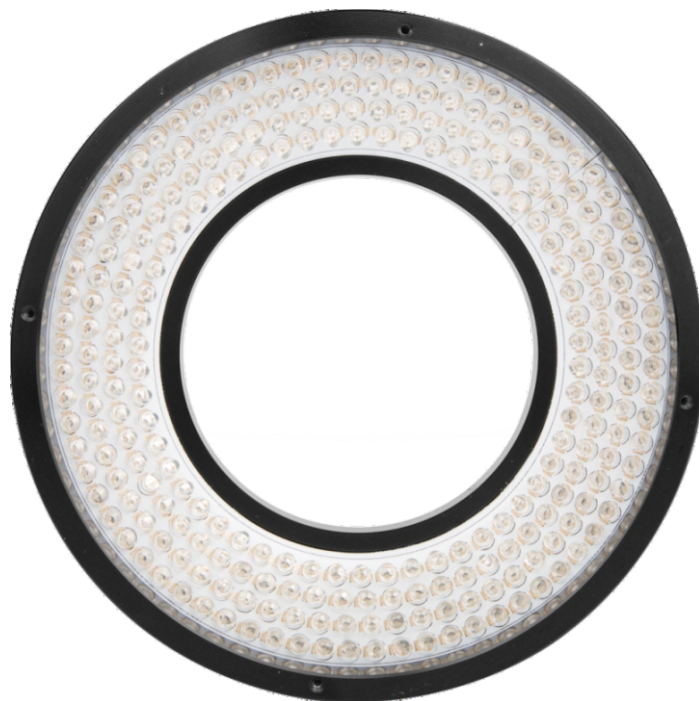


CSTG-RS7460-UV365
UV glue inspection for bottle caps



CSTG-RS9070-UV365
UV glue inspection for PCB

IR light source IR series



Product feature

- ◆ Custom made for light shape and illumination mode.
- ◆ Using the difference in spectral reflectance for a variety measurements .

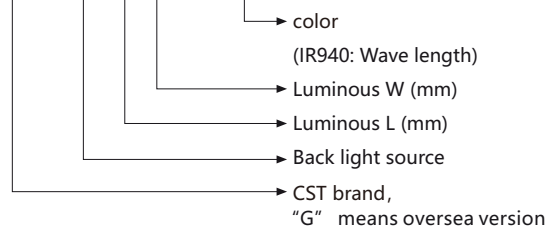
Application

- ◆ Inspection the LCD screen
- ◆ Reading the characters
- ◆ The screen alignment
- ◆ Edge extraction
- ◆ Appearance of emitting the surface pattern
- ◆ Inspection the foreign matter by liquid
- ◆ Inspection the objects in food packaging
- ◆ Invisible barcode reading

CSTG No.

IR light source (CSTG-IRseries)

CSTG - HFS 50 50 - IR940



Wave length	IR	850-940nm		
Storage environment	Temperature	-20-60°C	Humidity	20-85%RH(Non-condensation)
Using environment		0-40°C		
Option accessories	Extension cable			
Controller	CSTG-DPSseries, CSTG-APSeries, CSTG-SPSeries, CSTG-CPLseries (The selected controller should match the power of the light source)			
Service life	When the environment at 25°C, the red color works continuously for 60000 hours with 50% illumination,the decrement at 50% When the environment at 25°C, the white color works continuously for 30000 hours with 50% illumination,the decrement at 50%			
Quality assurance	CSTG products shipped out within 1 year, the fault not caused by personal reason, will provide free maintenance or replacement services			

IR light source IR Series

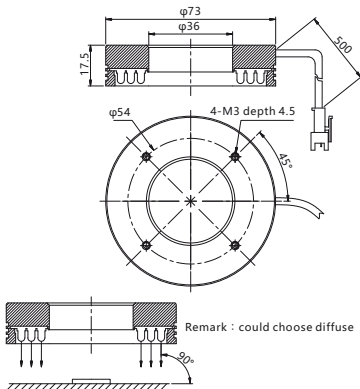
Specification

Item	CSTG No.	Color	Power(W)	Luminous dimension (mm)	Overall size(mm)			Recommended controller
1	CSTG-RS7390-IR940	●	5.9	65	OD 73	ID 36	H17.5	CSTG-DPS, CSTG-APS, CSTG-SPS
2	CSTG-RS7430-IR940	●	4.9	62.4	OD74	ID40	H20	CSTG-DPS, CSTG-APS, CSTG-SPS
3	CSTG-RS7460-IR940	●	6.9	65	OD74	ID35	H20	CSTG-DPS, CSTG-APS, CSTG-SPS
4	CSTG-RS9070-IR850	●	12	82	OD90	ID44	H20	CSTG-DPS, CSTG-APS, CSTG-SPS
5	CSTG-RS9090-IR940	●	11	81	OD90	ID50	H18	CSTG-DPS, CSTG-APS, CSTG-SPS
6	CSTG-RS12030-IR940	●	14	75.4	OD90	ID50	H21	CSTG-DPS, CSTG-APS, CSTG-SPS
7	CSTG-RS12070-IR940	●	17	109.8	OD120	ID65	H22	CSTG-DPS, CSTG-APS, CSTG-SPS
8	CSTG-BS5418-IR940	●	2	44×15.4	L54	W18	H20	CSTG-DPS, CSTG-APS, CSTG-SPS
9	CSTG-BS8629-IR940	●	4.9	74×26	L86	W29	H18	CSTG-DPS, CSTG-APS, CSTG-SPS
10	CSTG-BS14020-IR940	●	4.9	130×16	L140	W20	H20	CSTG-DPS, CSTG-APS, CSTG-SPS
11	CSTG-BS20540-IR940	●	17	175×33	L205	W40	H38	CSTG-DPS, CSTG-APS, CSTG-SPS
12	CSTG-BS27042-IR940	●	21	260×36	L270	W42	H36	CSTG-DPS, CSTG-APS, CSTG-SPS
13	CSTG-BS38040-IR940	●	25	368×31	L380	W40	H36	CSTG-DPS, CSTG-APS, CSTG-SPS
14	CSTG-SPL0859-IR850	●	1.8	6	OD24	ID8	H59	CSTG-CPL0510A-2T
15	CSTG-COS40-IR850	●	2	38×39	L70	W46	H47	CSTG-DPS, CSTG-APS, CSTG-SPS
16	CSTG-COS80-IR940	●	5.9	80×80	L114	W91	H85.5	CSTG-DPS, CSTG-APS, CSTG-SPS
17	CSTG-HFS050-IR940	●	4	50×50	L78	W64	H19	CSTG-DPS, CSTG-APS, CSTG-SPS
18	CSTG-HFS100100-IR940	●	8.9	100×100	L135	W115	H19	CSTG-DPS, CSTG-APS, CSTG-SPS
19	CSTG-HBS21226-IR1300BSB	●	17	200×16	L212	W26	H48	CSTG-CPL48150B-2T

Product dimension drawing(mm)

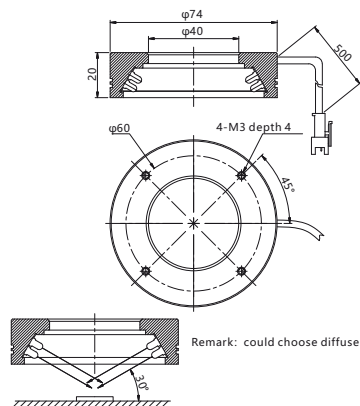
CSTG-RS7390

1



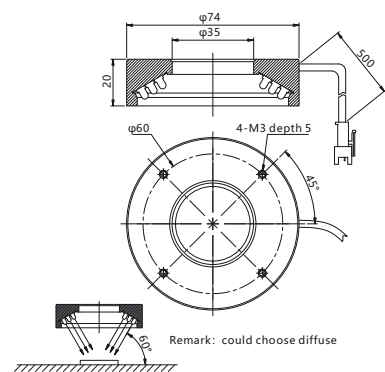
CSTG-RS7430

2



CSTG-RS7460

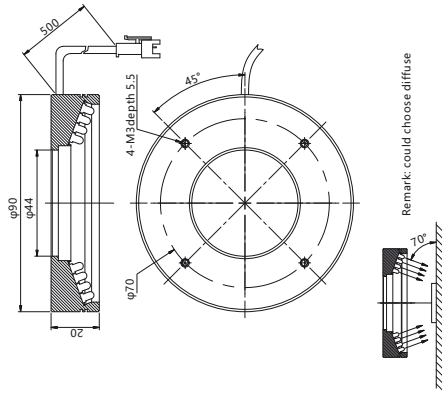
3



Product dimension drawing(mm)

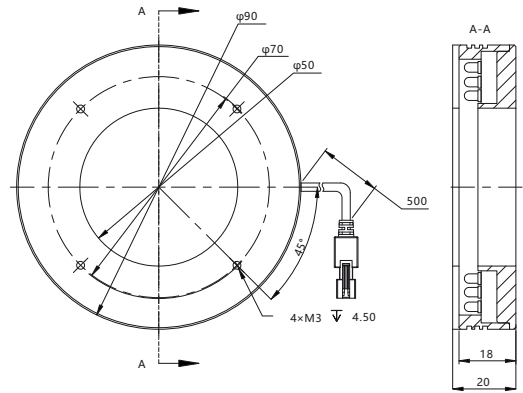
CSTG-RS9070

4



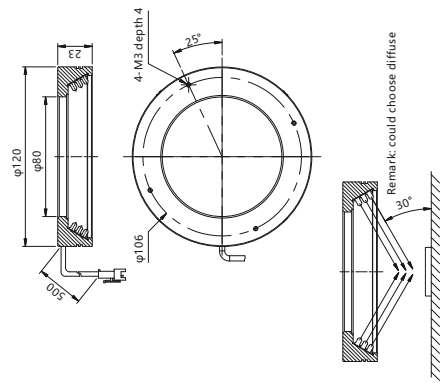
CSTG-RS9090

5



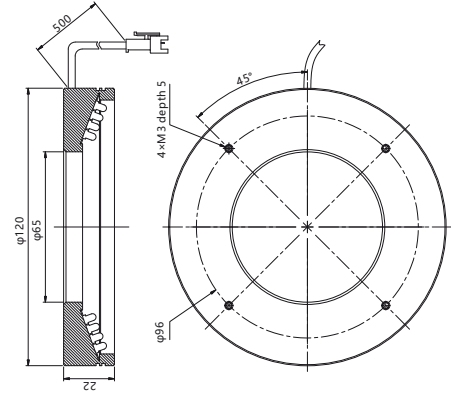
CSTG-RS12030

6



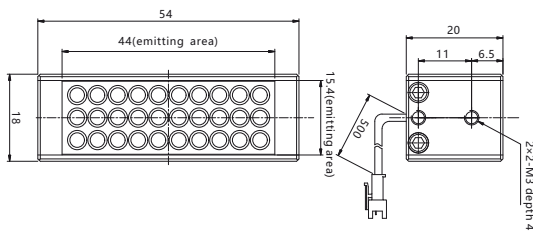
CSTG-RS12070

7



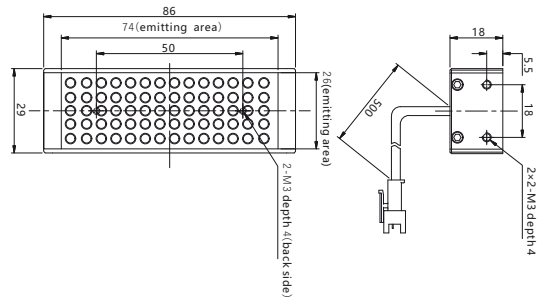
CSTG-BS5418

8



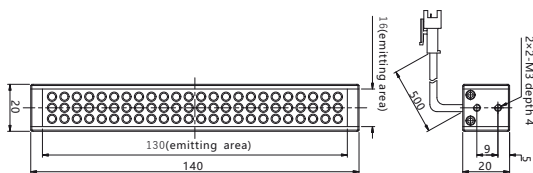
CSTG-BS8629

9



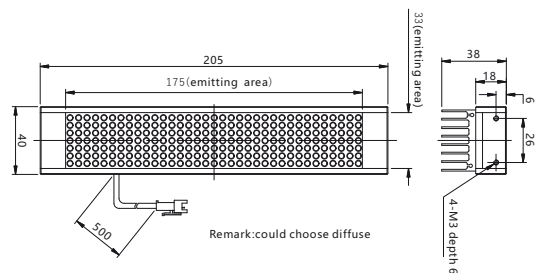
CSTG-BS14020

10



CSTG-BS20540

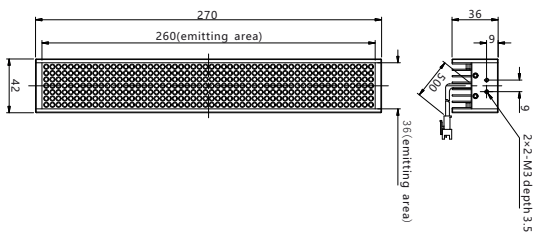
11



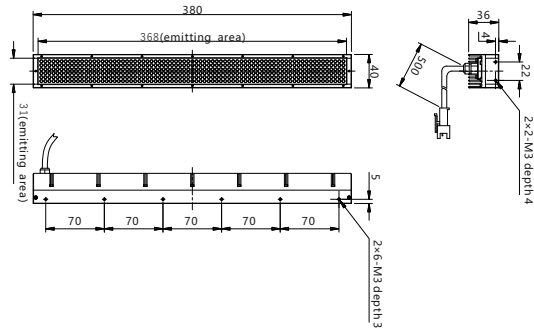
IR light source IR series

Product dimension drawing(mm)

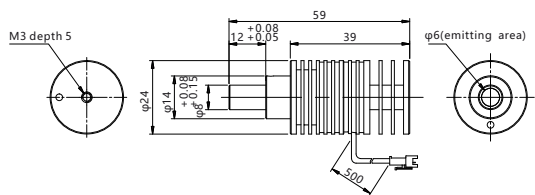
CSTG-BS27042 12



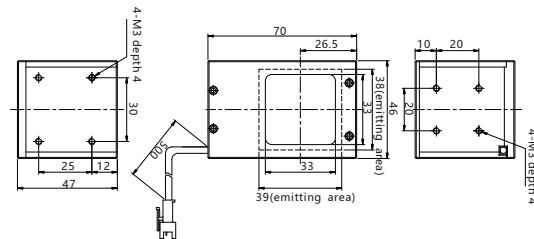
CSTG-BS38040 13



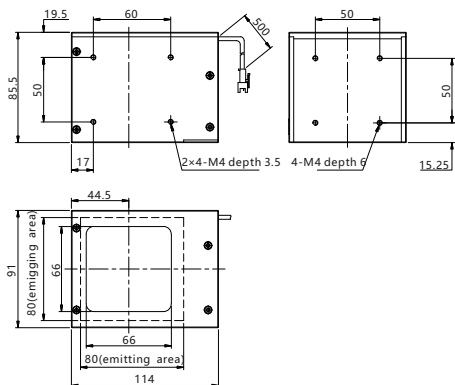
CSTG-SPL0859 14



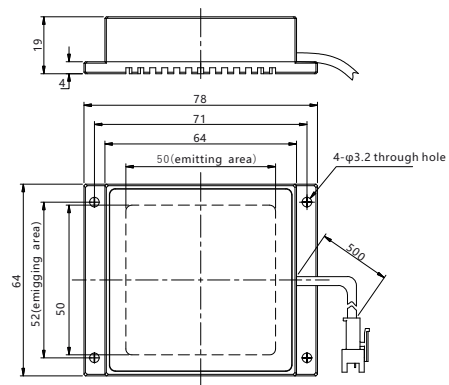
CSTG-COS40 15



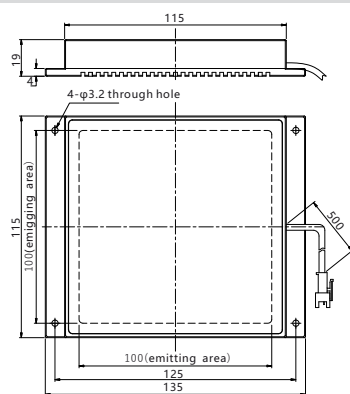
CSTG-COS80 16



CSTG-HFS5050 17



CSTG-HFS100100 18



CSTG-HBS21226-BSB 19

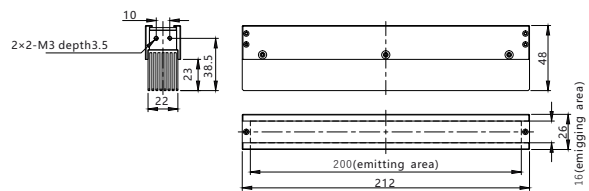
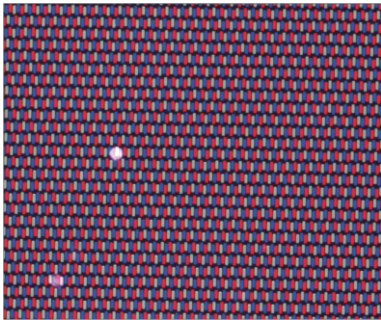


Image cases



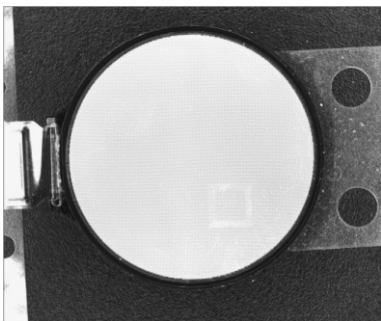
CSTG-RS13220-IR940
Internal defect detection of LCD



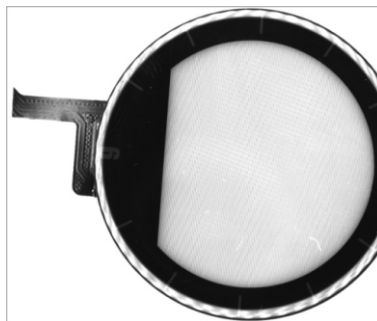
CSTG-BS8629-IR940
Bottle cap character inspection



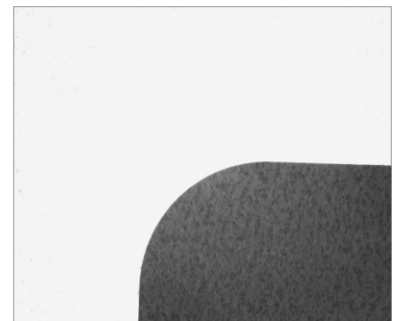
CSTG-BS20540-IR940
Phone screen AA area and ink
area distance inspection



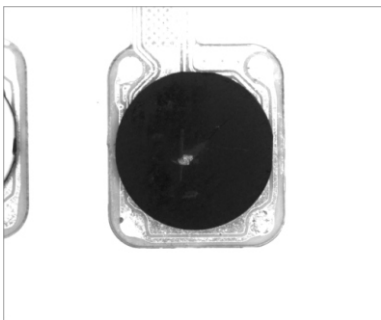
CSTG-COS60-IR940
Watch bonding inspection



CSTG-COS60-IR940
Screen module positioning
for smart watch



CSTG-HFS100100-IR940
Edge inspection



CSTG-RS5390-IR940
Fingerprint module positioning



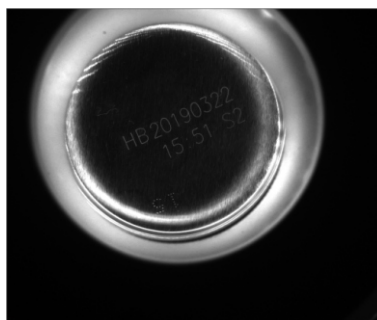
CSTG-RS7390-IR940
Phone screen AA area and ink
area distance inspection



CSTG-RS7460-IR850
Bottle cap invisible character
inspection



CSTG-RS9085-IR
Laser engraving character
inspection



CSTG-RS9090-IR940
Bottle bottom character inspection



CSTG-RS12030-IR940
LCD screen inspection for
mobile phone

Polarise light source POR series



Product feature

- ◆ Eliminate the light spots produced by the beads
- ◆ Eliminate the interference caused by reflections on the objects.
- ◆ Good heat dissipation performance, using special thermal conductivity materials
- ◆ Variour shapes, which can be customized according to customer requirements.

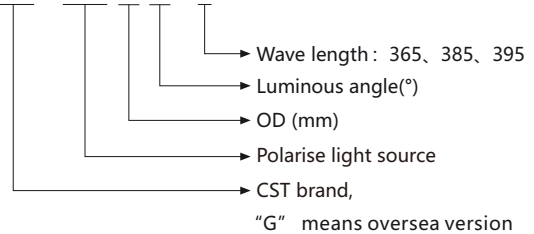
Application

- ◆ Inspection the product label location and character.
- ◆ Film classification and size testing of lithium batteries.
- ◆ Bar code character reading.
- ◆ Inspection the capacitive character and surface dirty.
- ◆ Screen printing character recognition for mobile phone case,PAD, charger, etc.

CSTG No.

Polarise light source (CSTG-PORseries)

CSTG - POR 80 90 - R



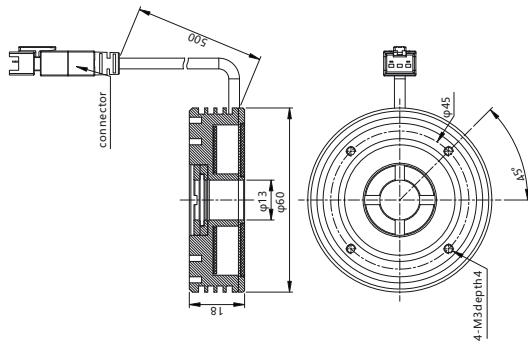
Wave length/color temp	Red	620-630 nm	IR	850-940 nm
	Blue	465-475 nm	UV	365-405 nm
	White	6000-10000K	Green	520-530 nm
Storage environment	Temperature	-20-60°C	Humidity	20-85%RH(Non-condensation)
Using environment		0-40°C		
Option accessories	Extension cable			
Controller	CSTG-DPS series、CSTG-APS series、CSTG-SPS series (The selected controller should match the power of the light source)			
Service life	When the environment at 25°C, the red color works continuously for 60000 hours with 50% illumination,the decrement at 50% When the environment at 25°C, the white color works continuously for 30000 hours with 50% illumination,the decrement at 50%			
Quality assurance	CSTG products shipped out within 1 year, the fault not caused by personal reason, will provide free maintenance or replacement services			

Specification

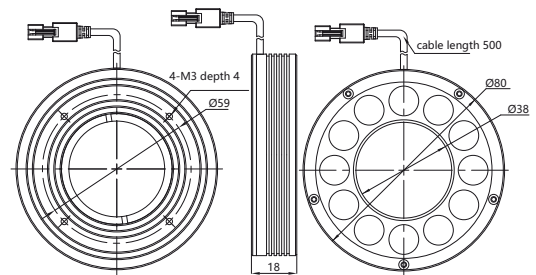
Item	CSTG No.	Color	Power(W)	Luminous dimension (mm)	Overall size(mm)			Recommended controller
					OD 60	ID 13	H18	
1	CSTG-POR6090-B/W		5	Od50	OD 60	ID 13	H18	CSTG-DPS, CSTG-APS, CSTG-SPS
2	CSTG-POR8090-R/B/W		8.4	OD70	OD80	ID38	H18	CSTG-DPS, CSTG-APS, CSTG-SPS
3	CSTG-POR15090-B/W		13	OD140	OD150	ID96.4	H23.3	CSTG-DPS, CSTG-APS, CSTG-SPS
4	CSTG-POB20540-W		17	175×33	L205	W40	H38	CSTG-DPS, CSTG-APS, CSTG-SPS
5	CSTG-2POB23738-B/W		17	175×33	L205	W40	H38	CSTG-DPS, CSTG-APS, CSTG-SPS

Product dimension drawing(mm)

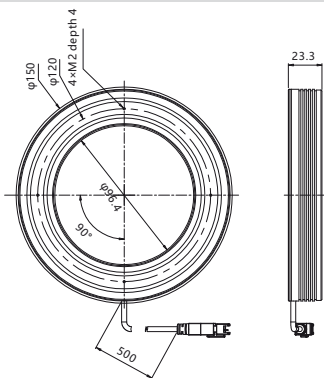
CSTG-POR6090 1



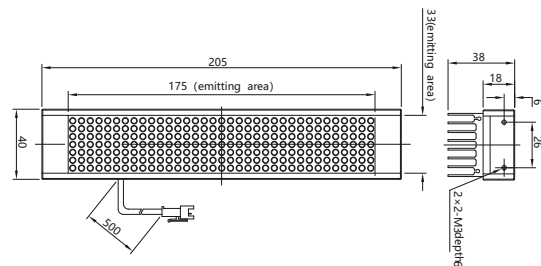
CSTG-POR8090 2



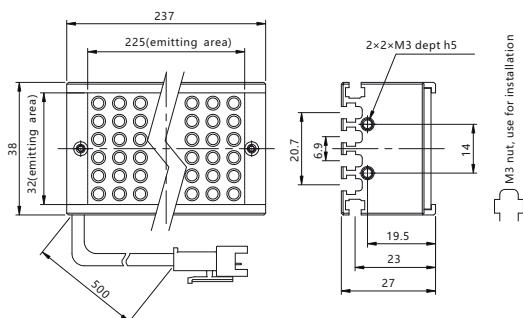
CSTG-POR15090 3



CSTG-POB20540 4

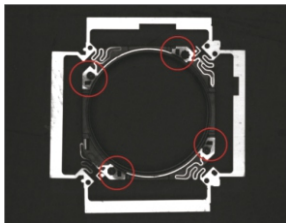


CSTG-2POB23738 5

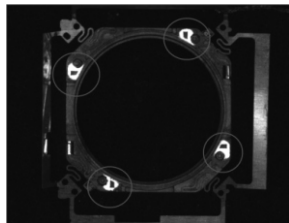


Polarise light source POR series

Image Comparison



CSTG-POR8090-W
Glue inspection for camera module



CSTG-RS9070-W(POR)
Glue inspection for camera module



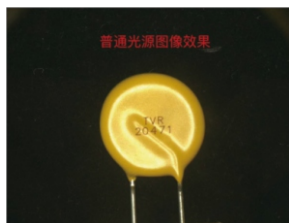
CSTG-POR8090-W
Character inspection



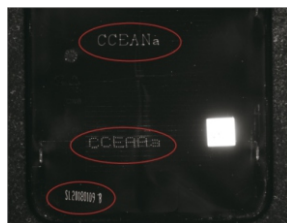
CSTG-RS9070-W(POR)
Character inspection



CSTG-POR8090-W(POR)
Character inspection



CSTG-RS7390-W
Character inspection

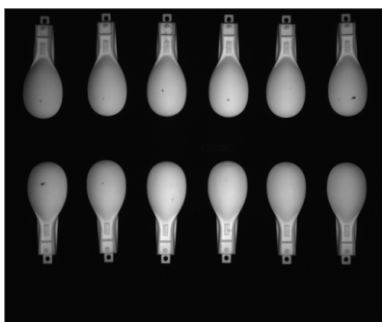


CSTG-POR8090-W
Character inspection



CSTG-RS9070-W(POR)
Character inspection

Image cases



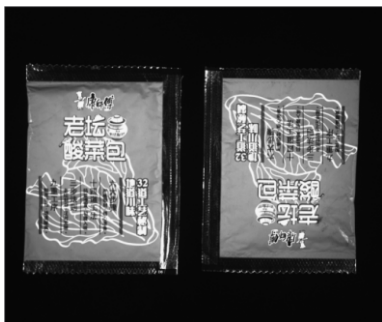
CSTG-2POB327338-W
Spoon defect inspction



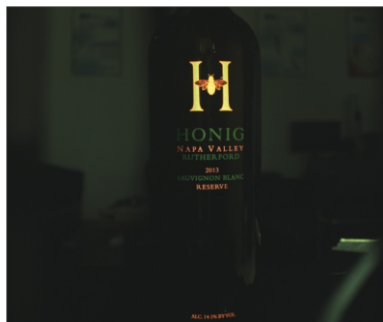
CSTG-POB20540-W
Character defect inspection for key



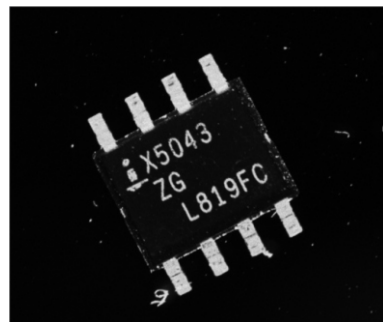
CSTG-POB20540-W
Silicon wafer size inspection



CSTG-POB20540-B
Positioning inspection



CSTG-POB20540-W
Character inspection

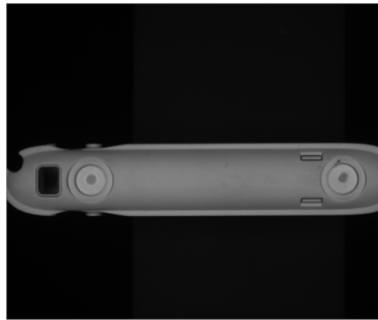


CSTG-POR8090-W
Character inspection

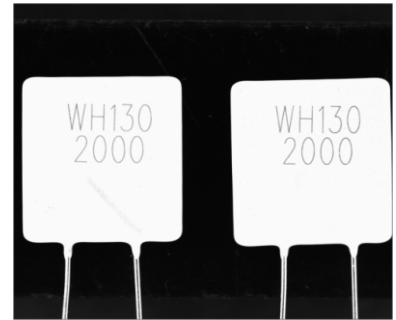
Image cases



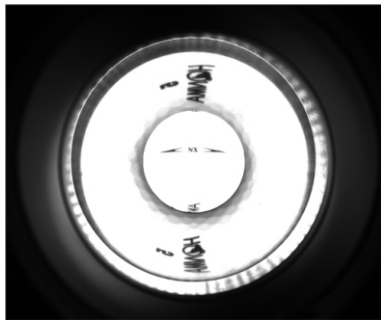
CSTG-POR8090-W
Scratch detection charger



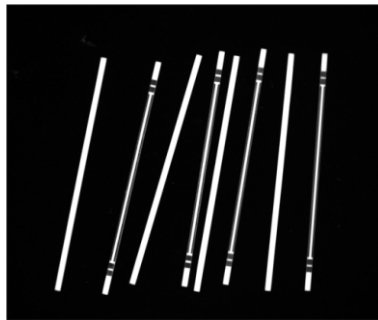
CSTG-POR8090-W
Glue inspection for E-cigarette



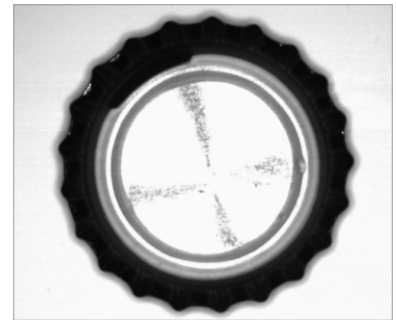
CSTG-POR8090-W
Electronic element character inspection



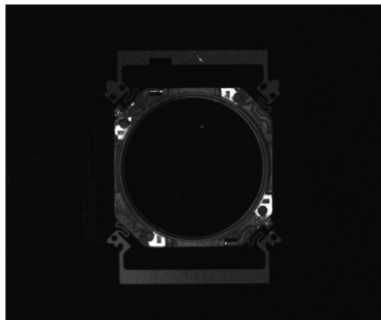
CSTG-POR8090-W
Golf positioning inspection



CSTG-POR8090-W
Front and back inspection for metal parts



CSTG-POR8090-W
Rubber mat defect inspection



CSTG-POR8090-W
Glue inspection for camera module frame



CSTG-POR8090-W
Adapter character inspection



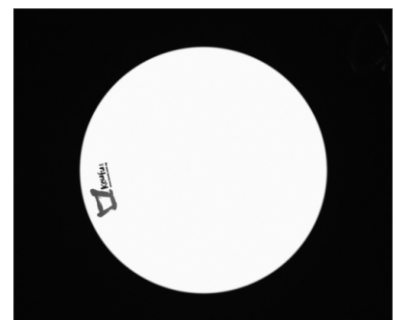
CSTG-POR8090-W
Color difference inspection for ceramic surface



CSTG-POR8090-W
Character inspection



CSTG-POR8090-W
Character inspection



CSTG-POR12590-W
Distinguish inspection for the dishes

Structure light source LTP Series



Product feature

- ♦ Varietious grid piece, can be applied according to the actual environment
- ♦ Light spot boundary clearly, brightness uniformity
- ♦ With a 2/3" C connector lens
- ♦ Variour shapes, which can be customized according to customer requirements

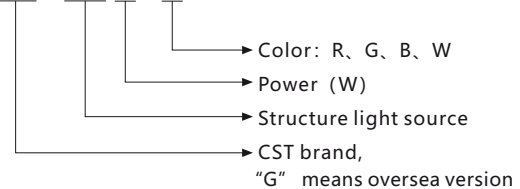
Application

- ♦ Inspection the pit defect on smooth surface
- ♦ Inspection the flatness on product surface
- ♦ Inspection the character for beverage bottle
- ♦ Inspection the water ripples on glass surface

CSTG No.

Structure light source (CSTG-LTP Series)

CSTG - LTP 03 - W



Wave length/color temp	Red	620-630 nm	White	6000-6500K
	Blue	465-475 nm		
	Green	520-530 nm		
Storage environment	Temp	-20-60°C	Humidity	20-85%RH(Non-condensation)
Using environment		0-40°C		
Option accessories	Extension cable, diffuse panel			
Controller	CSTG-CPL0520A-4TD			
Service life	When the environment at 25°C, the red color works continuously for 60000 hours with 50% illumination, the decrement at 50% When the environment at 25°C, the white color works continuously for 30000 hours with 50% illumination, the decrement at 50%			
Quality assurance	CSTG products shipped out within 1 year, the fault not caused by personal reason, will provide free maintenance or replacement services			

Structure light source LTP Series

Specification

CSTG No.	Color	Power(W)	Luminous dimension (mm)	Overall size(mm)			Recommended controller
				OD83.8	Id36	H32	
CSTG-LTP03W	○	3	30	OD83.8	Id36	H32	CSTG-CPL0520A-4TD

Dimension(mm)

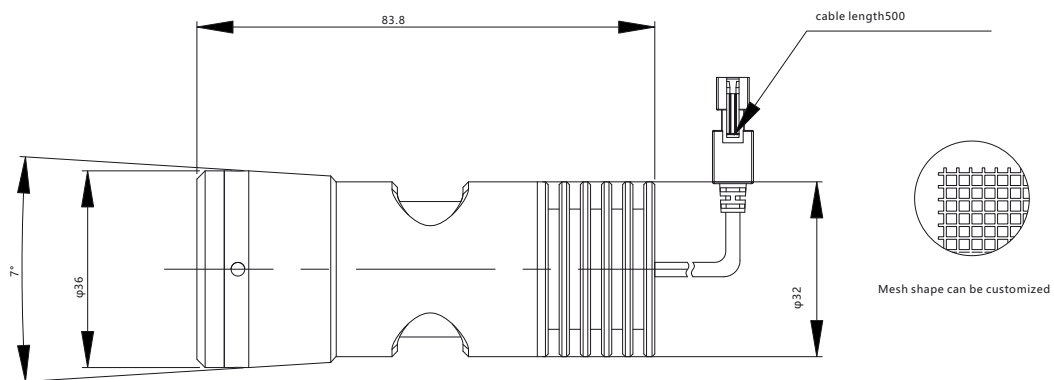
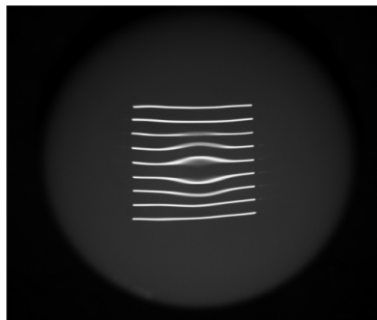


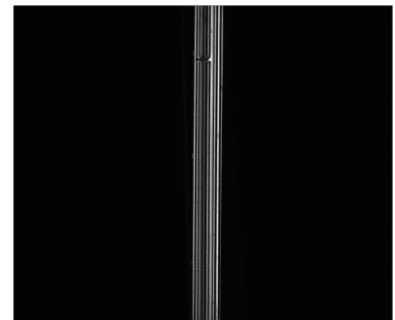
Image case



CSTG-SP-SP100
Inspection the bumping
on the surface



CSTG-SP-SP100
Inspection the flatness on
the smooth surface



CSTG-SP-SP200
Inspection the defect for the
border on mobile phone shell

Flash light source

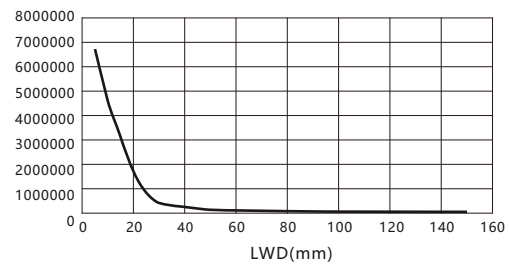


Product feature

- ◆ Improve brightness instantaneously, the max brightness of partial light source can reach ten million LUX.
- ◆ Suitable for high speed flying occasion.
- ◆ Using for stroboscopic , lower heating, longer life.
- ◆ Various series can be customized , meet to different application requirements.

Illuminance graph

CSTG-SCOS40-W



CSTG No.

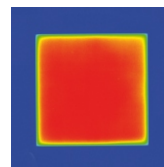
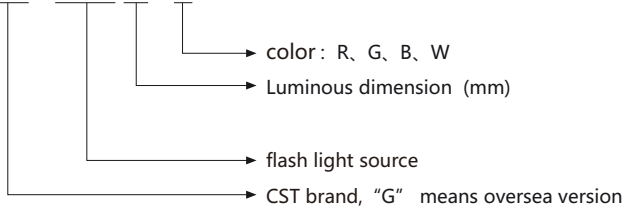
Uniform chart of light source

Flash light source

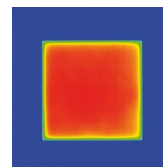
CSTG-SCOS40-W

FOV: 60×60mm

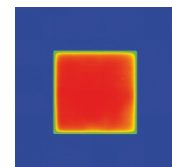
CSTG - SCOS 40 - W



LWD=50mm



LWD=100mm



LWD=150mm

Wave length/color temp	Blue		465-475nm		
	Red		620-630nm		
	White		6000-6500K		
Storage environment	Temperature	-20-60°C		Humidity	20-85%RH(Non-condensation)
Using environment		0-40°C			
Option accessories	Extension cable				
Controller	CSTG-BPSSeries (The selected controller should match the power of the light source)				
lifetime	When the environment at 25°C, the red color works continuously for 60000 hours with 50% illumination,the decrement at 50%				
	When the environment at 25°C, the white color works continuously for 30000 hours with 50% illumination,the decrement at 50%				
Quality assurance	CSTG products shipped out within 1 year, the fault not caused by personal reason, will provide free maintenance or replacement services				

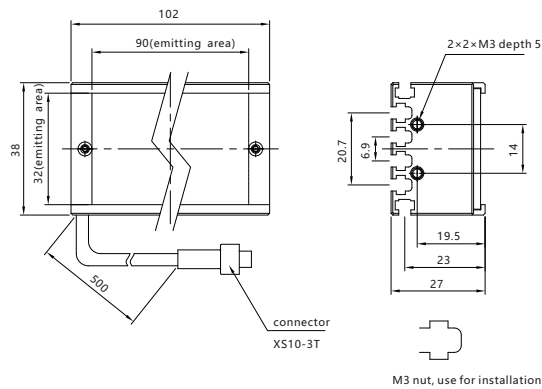
Specification

Item	CSTG No.	Color	current	Power(W)	illuminance (ten thousandL)	Recommended controller
1	CSTG-2SBS10238-W/B		38	912	3996/953	CSTG-BPS24120C-4TD
2	CSTG-2SBS4728-W		32	768	3425	CSTG-BPS24120C-4TD
3	CSTG-2SBS8228-W/B		50	1200	326/79	CSTG-BPS24120C-4TD
4	CSTG-SCOS26-W		13	312	874	CSTG-BPS24120C-4TD
5	CSTG-SCOS40-W		50	1200	577	CSTG-BPS24120C-4TD
6	CSTG-SCOSC24-R		13	312	29	CSTG-BPS24120C-4TD
7	CSTG-SCOSC3225-B		19	456	124	CSTG-BPS24120C-4TD
8	CSTG-SDS116-W		44	1056	1044	CSTG-BPS24120C-4TD
9	CSTG-SDS175-W		50	1200	949	CSTG-BPS24120C-4TD
10	CSTG-SDS84-W		25	600	1205	CSTG-BPS24120C-4TD
11	CSTG-SHRS116-W		50	1200	832	CSTG-BPS24120C-4TD
12	CSTG-SRS7390-W		32	768	3829	CSTG-BPS24120C-4TD

Product dimensions(mm)

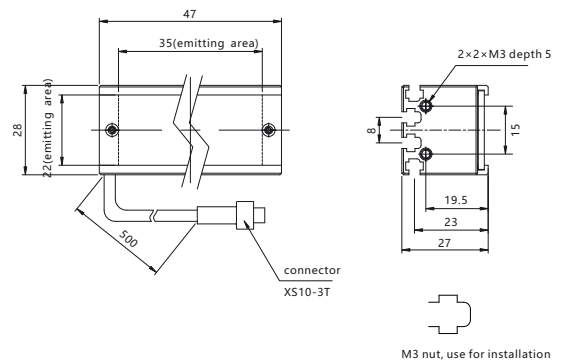
CSTG-2SBS10238

1



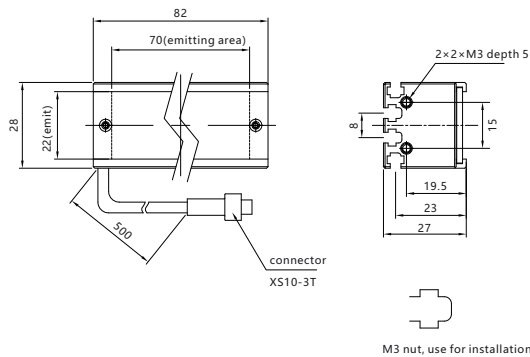
CSTG-2SBS4728

2



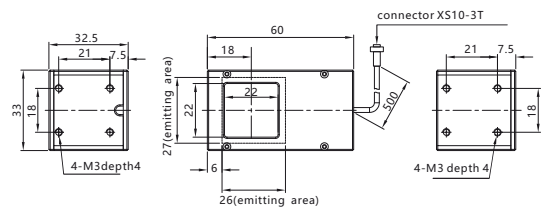
CSTG-2SBS8228

3



CSTG-SCOS26

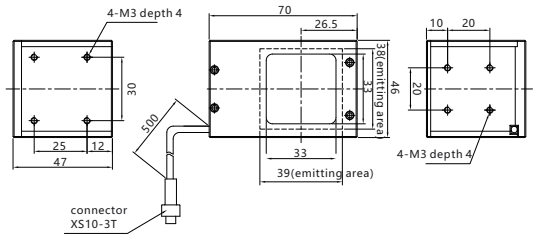
4



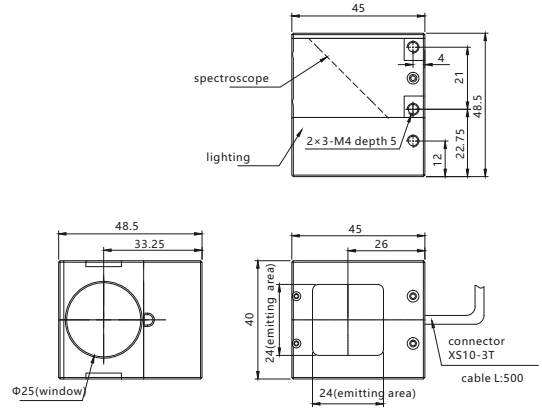
Flash light source

Product dimension(mm)

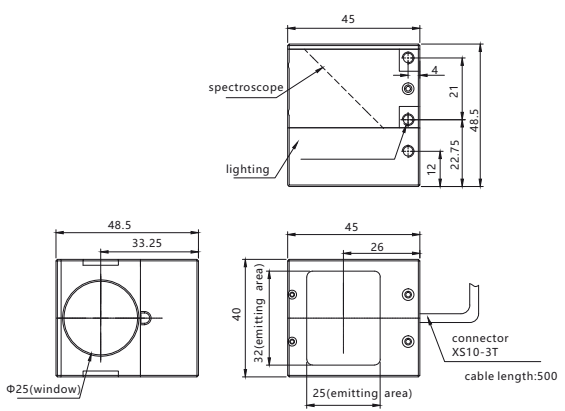
CSTG-SCOS40 5



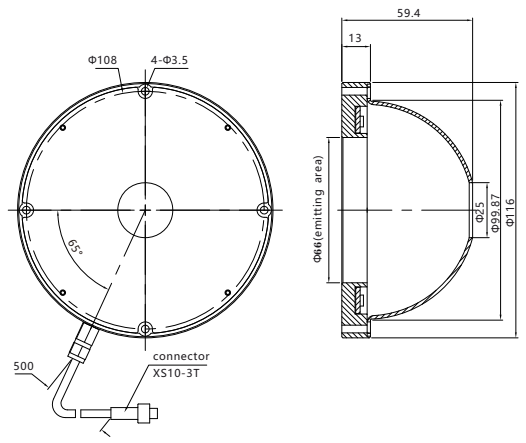
CSTG-SCOSC24 6



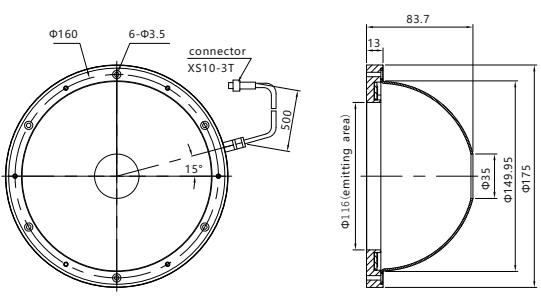
CSTG-SCOSC3225 7



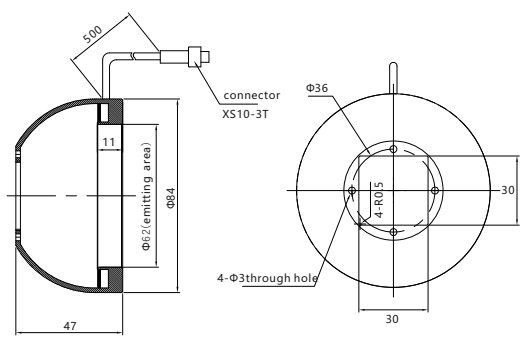
CSTG-SDS116 8



CSTG-SDS175 9



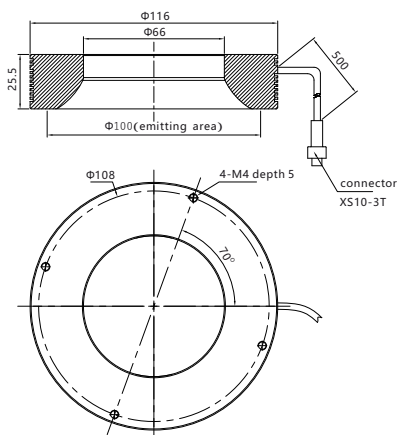
CSTG-SDS84 10



Product dimension(mm)

CSTG-SHRS116

11



CSTG-SRS7390

12

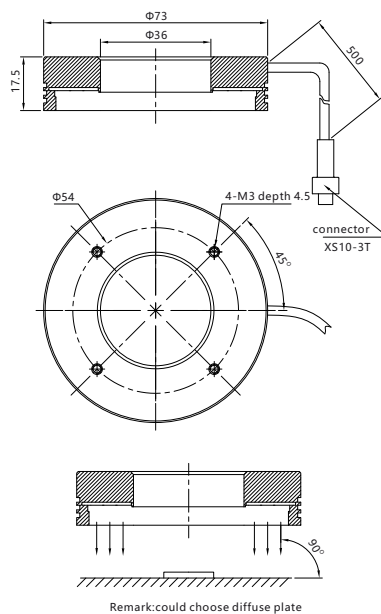


Image comparison



Image quality of Flash lighting



Image quality of standard lighting

Image cases



CSTG-2SBS4728-W
Line appearance inspection
exposure time 5US



CSTG-SCOS40-W
Steel plate positioning
exposure time 4US



CSTG-SDS116-W
Bottle cap defect inspection
exposure time 4US

Analog controller APS Series



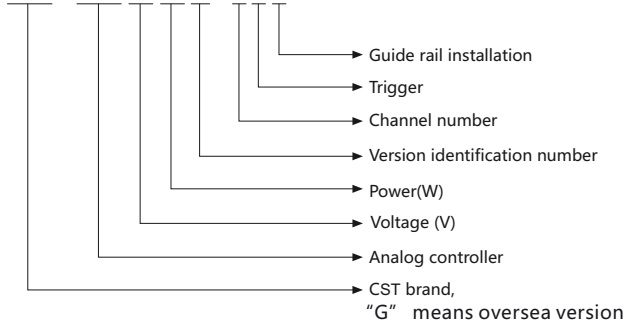
Product feature

- ◆ Manual stepless brightness control,
- ◆ Constant light, constant off mode switch, can choose the working mode according to the actual situation
- ◆ External trigger adopts high speed optocoupler isolation design to provide accurate and high reliable trigger signal,
- ◆ Set over current protection, overload protection short circuit protection unction in a body, safe and reliable
- ◆ Screw installation or standard DIN card rail installation, can choose the nstallation mode according to the actual situation

CSTG No.

Analog controller (CSTG-APS Series)

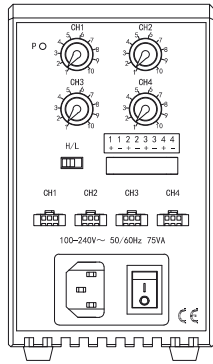
CSTG - APS 24 60 B - 4 T D



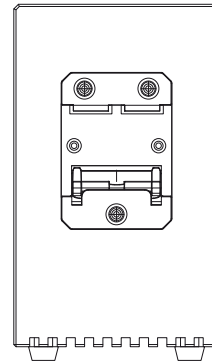
CSTG No.	CSTG-APS2460B-4TD
Drive method.	constant voltage
Light mode	Variable voltage control
	Panel knob
Input voltage.	AC100-240V 50/60Hz
Mas output voltage	24V
Channel number	4
Max output current	2.5A (Single channel max current2.5A)
Total power	60W
Output port	SMP-03V-BC (1: input+ 2: NC 3: Output-)
External trigger volgage	DC5V~24V (current about 5.6mA)
Trigger delay	<300us (Load dependent)
Using temp/humidity	Temp: 0~40°C, Humidity: 20~85%RH (Non-condensation)
Storage temp/humidity	Temp: -20~60°C, Humidity: 20~85%RH (Non-condensation)
Cooling method	Forced cooling

Analog controller-APS Series

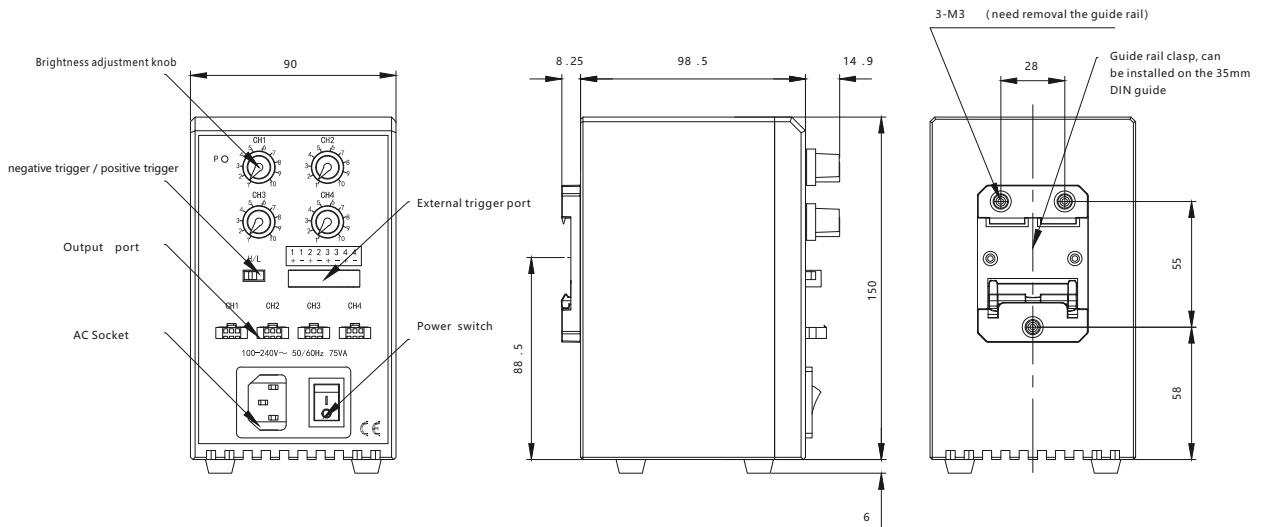
Front Panel



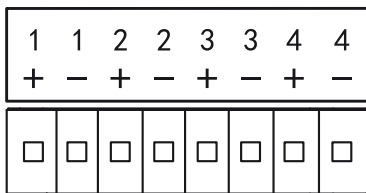
Back panel



Product dimension (mm)

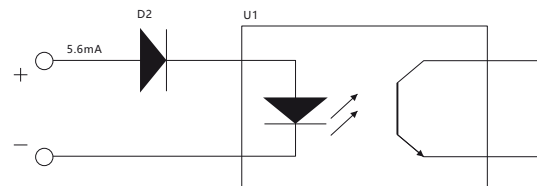


External trigger port



Port	Port definitions
1+	CH1 channel external trigger input positive
1-	CH1 channel external trigger input negative
2+	CH2 channel external trigger input positive
2-	CH2 channel external trigger input negative
3+	CH3 channel external trigger input positive
3-	CH3 channel external trigger input negative
4+	CH4 channel external trigger input positive
4-	Ch4 channel external trigger input negative

Sketch for Inner circuit of external trigger



Analog controller MAPS Series



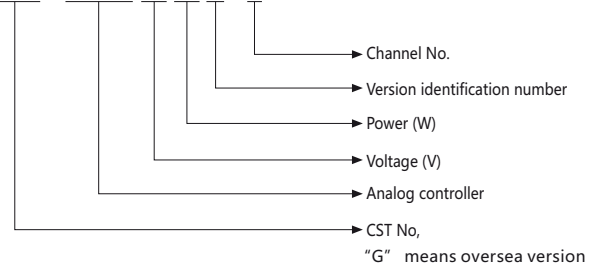
Product feature

- Adopt PWM control, low calorific value
- Adopt PWM control, low calorific value
- Install AC100~240V International switching power
- Small, light and flexible installing

CSTG No.

Analog controller (CSTG-MAPS Series)

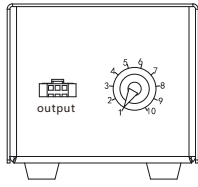
CSTG - MAPS 24 20 A - 1



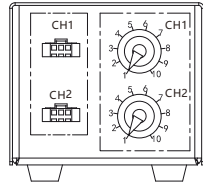
CSTG No.	CSTG-MAPS2420A-1	CSTG-MAPS2420A-2
Drive method	Constant voltage	
Light control mode	PWM control	
	Panel knob	
PWM frequency	16KHz	
Input voltage	AC100-240V 50/60Hz	
Channel	1	2
Output voltage	24V	
Max output voltage	0.83A (Single channel max current 0.83A)	
Total power	20W	
Output port	SMP-03V-BC (1: Output+ 2: NC 3: Output-)	
Using T/H	Temp: 0~40°C, Humidity: 20~85%RH (Non-condensation)	
Storage temp/humidity	Temp: -20~60°C, Humidity: 20~85%RH (Non-condensation)	
Cooling method	Natural cooling	

Analog controller-MAPS Series

Front panel

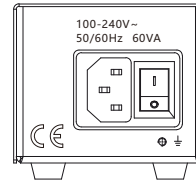


CSTG-MAPS2420A-1

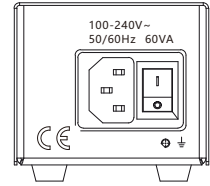


CSTG-MAPS2420A-2

Back panel



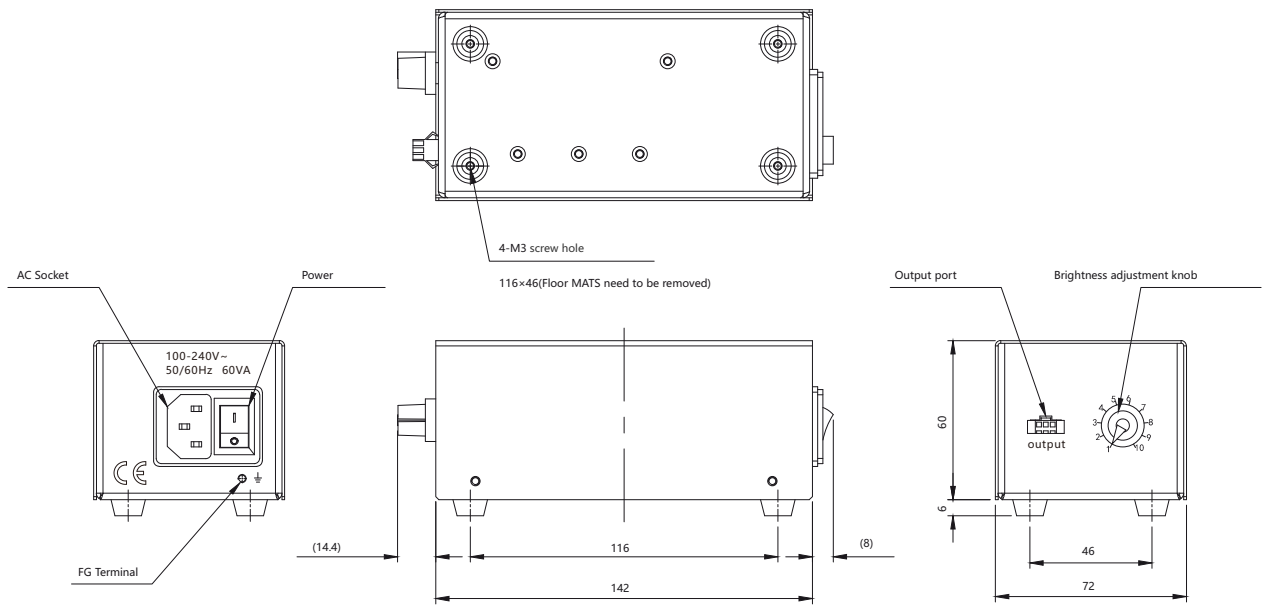
CSTG-MAPS2420A-1



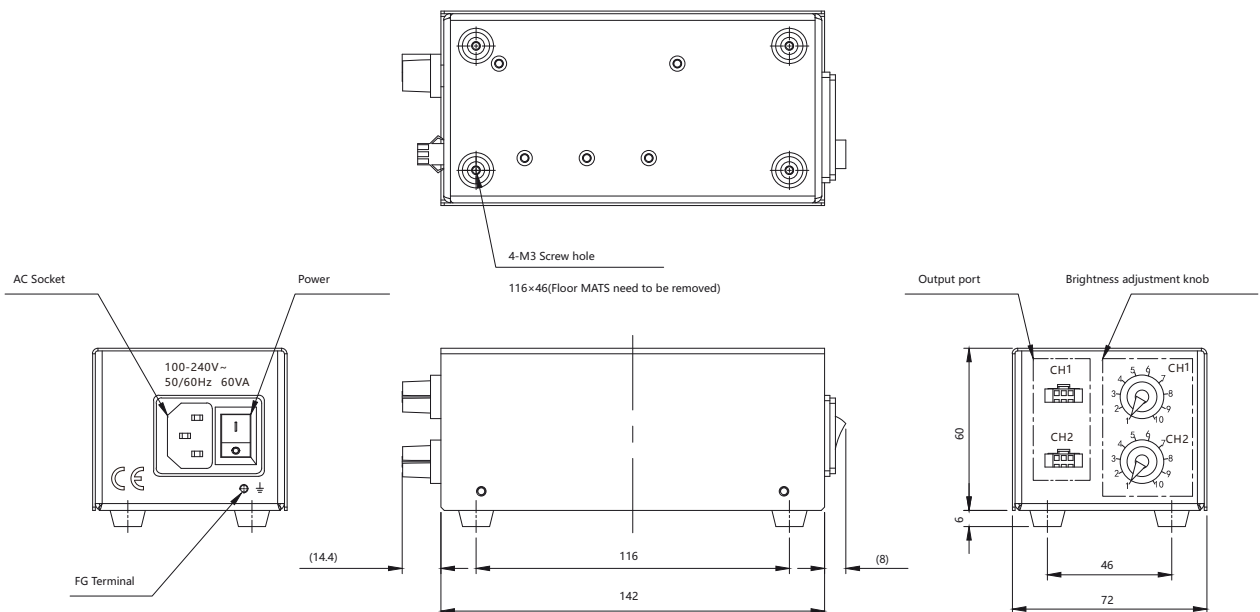
CSTG-MAPS2420A-2

Dimension(mm)

CSTG-MAPS2420A-1



CSTG-MAPS2420A-2



Digital Controller DPS Series



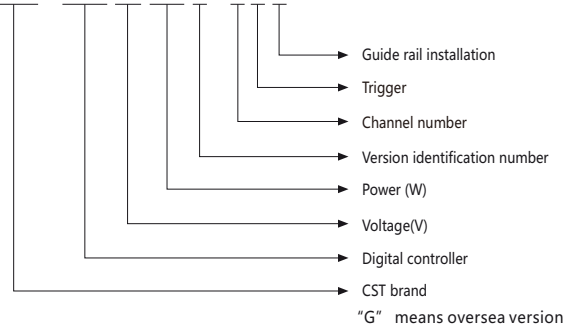
Product feature

- Provide key/serial communication/network communication mode to control brightness
- Digital mode or strobe mode can be switched
- The external trigger designed adopt high speed optocoupler isolation, which can reduce the trigger delay effectively
- With power failure saving function
- With overload, short circuit protection

CSTG No.

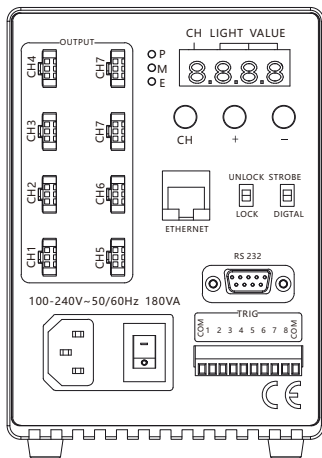
Digital controller (CSTG-DPS Series)

CSTG - DPS 24 120 C - 8 T D

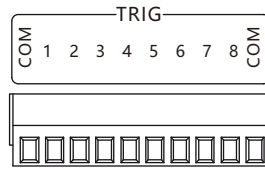


CSTG No.	CSTG-DPS24120C-8TD
Drive method	Constant voltage
Light mode	256 level PWM control
	Panel key / RS232 / ethernet
PWM frequency	250KHz
Input voltage	AC100-240V 50/60Hz
Channel	8
Output voltage	24V
Max output current	5A (Single channel max current3A)
Total power	120W
Output port	SMP-03V-BC (1: input + 2: NC 3: output -)
External trigger voltage	DC5V~24V (current about 5.6mA)
Trigger delay	Strobe mode: <5μs Digital mode: <8μs
Using ing temp/humidity	Temp: 0~40°C、Humidity: 20~85%RH (Non-condensation)
Storage temp/humidity	Temp: -20~60°C、Humidity: 20~85%RH (Non-condensation)
Cooling method	Forced cooling
Weight	720g

Front panel



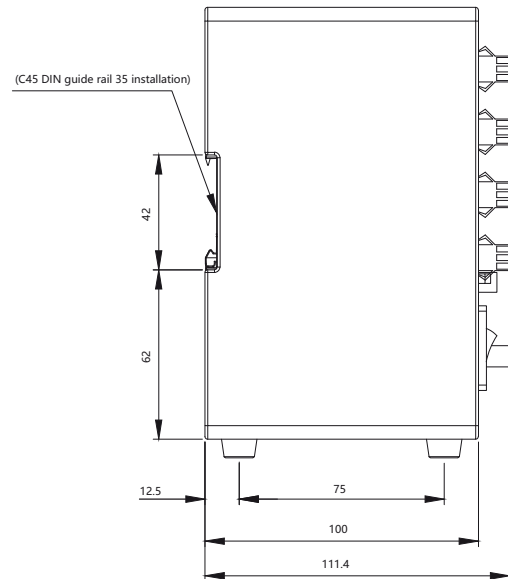
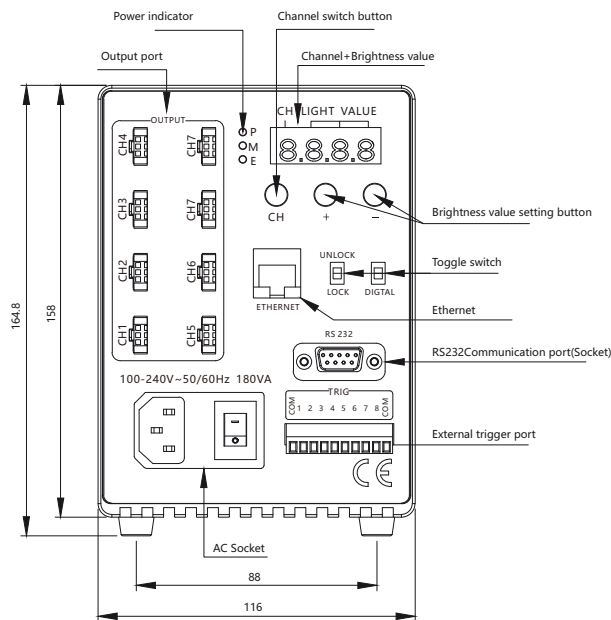
External trigger port definition



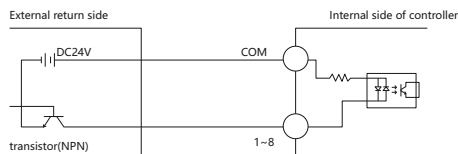
Port	Port definitions
COM	public port
1	CH1External trigger signal input
2	CH2External trigger signal input
3	CH3External trigger signal input
4	CH4External trigger signal input
5	CH5External trigger signal input
6	CH6External trigger signal input
7	CH7External trigger signal input
8	CH8External trigger signal input
COM	public port

Note: COM ports are interlinked without polarity

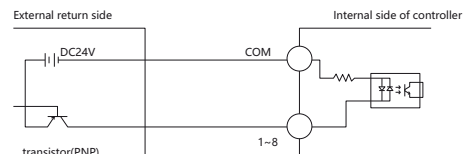
Product dimension(mm)



Sketch for Inner circuit of external trigger



NPN control circuit
VCC access COM
1~8 access the corresponding control interface



PNP control circuit
GND access COM
1~8 access the corresponding control interface

Digital controller MDPS Series



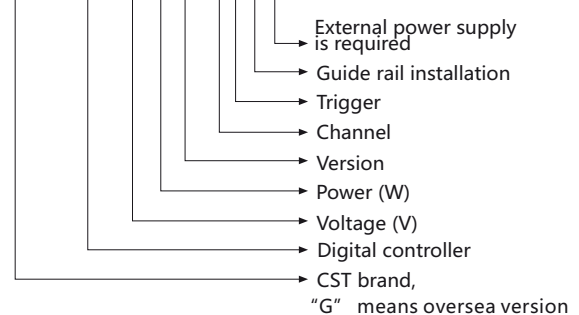
Product feature

- ◆ Small , light and flexible installing
- ◆ With strobe mode and constant light mode, can be switched according to demand
- ◆ External trigger adopts high speed optocoupler isolation design provide accurate and high reliability trigger signal
- ◆ With power failure saving function
- ◆ With overload, short circuit protection

CSTG No.

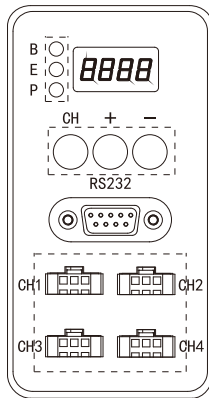
Digital controller (CSTG-MDPS Series)

CSTG - MDPS 24 75 B - 4 T D P

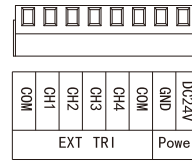


CSTG No.	CSTG-MDPS2475B-4TDP
Drive method	Constant Voltage
Light control mode	256 degrees PWM controller
	Panel button / RS232
Input voltage	DC12~24V
Channel	4
Output voltage	12~24V (relative to voltage)
Max output current	3.1A (Single channel max current 3A)
Total power	75W
Output port	SMP-03V-BC (1: Output+ 2: NC 3: Output-)
External trigger interface	EDG3.81
External voltage	DC5V~24V (current about 5.6mA)
External trigger delay	strobe mode: <math><8\mu\text{s}</math> digital mode: <math><25\mu\text{s}</math>
Using temp/humidity	Temp: 0~40°C, Humidity: 20~85%RH (Non-condensation)
Storage temp/humidity	Temp: -20~60°C, Humidity: 20~85%RH (Non-condensation)
Cooling method	Natural cooling

Front Panel

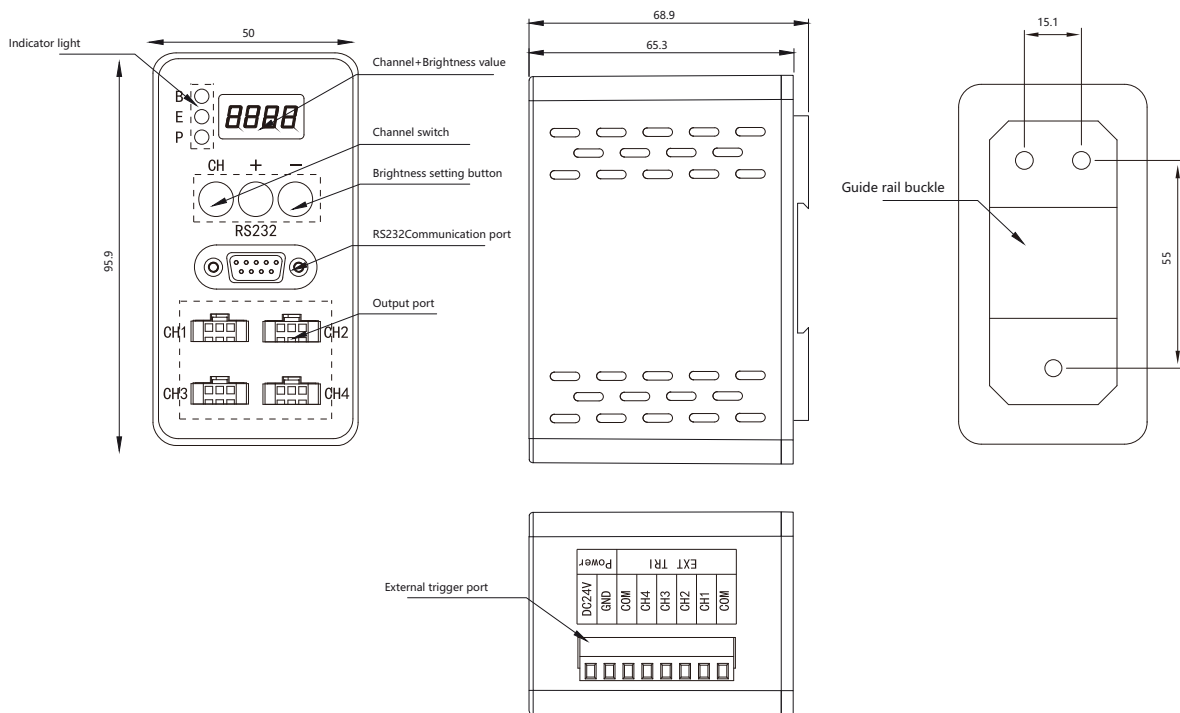


External trigger port

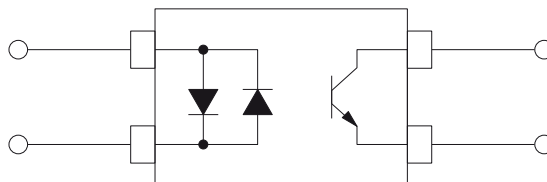


Port	Port definitions
COM	General port
CH1	CH1 External trigger input
CH2	CH2 External trigger input
CH3	CH3 External trigger input
CH4	CH4 External trigger input
COM	General port
GND	Controller power input-
DC12~24V	Controller power input+

Dimension(mm)



Sketch for Inner circuit of external trigger



Strobe controller SPS Series



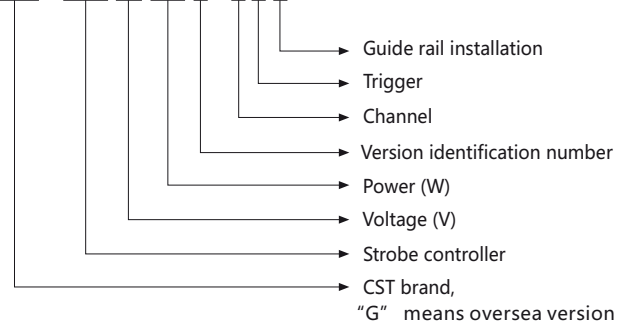
Product feature

- ◆ The pulse width of output voltage is set from 1us~990us the pulse width can set as ratio
- ◆ The instant brightness can improve to above 400% and prolong the usage life
- ◆ Automatically output the camera trigger single, and take photos at the same time
- ◆ Working in external trigger mode to turn on lights as request or working in internal trigger mode to turn on lights as fixed-frequency

CSTG No.

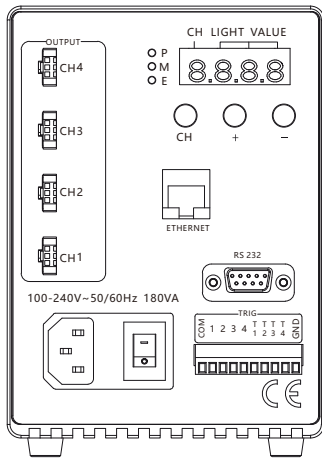
Strobe controller (CSTG-SPS Series)

CSTG - SPS 24 120 C - 4 T D

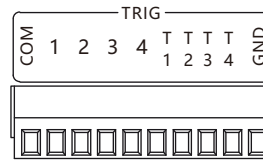


CSTG No.	CSTG-SPS24120C-4TD
Drive method	Constant voltage
Pulse width adjustment mode	Panel knob / RS232 / Ethernet
Input voltage	AC100-240V 50/60Hz
Channel	4
Output voltage	48V
Max output voltage	Peak value10A (single channel)
Total power	120W
Output port	SMP-03V-BC (1: Output+ 2: NC 3: Output-)
External trigger voltage	DC5V~24V (Current about5.6mA)
Trigger delay	<2μs
Using temp/humidity	Temp: 0~40°C、Humidity: 20~85%RH (Non-condensation)
Storage temp/humidity	Temp: -20~60°C、Humidity: 20~85%RH (Non-condensation)
Cooling method	Forced cooling

Front panel



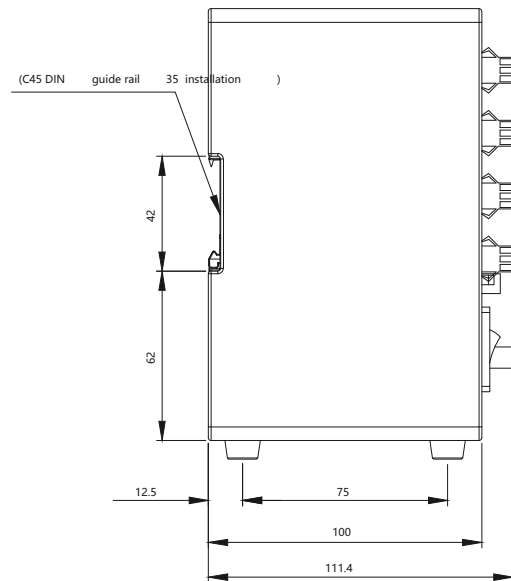
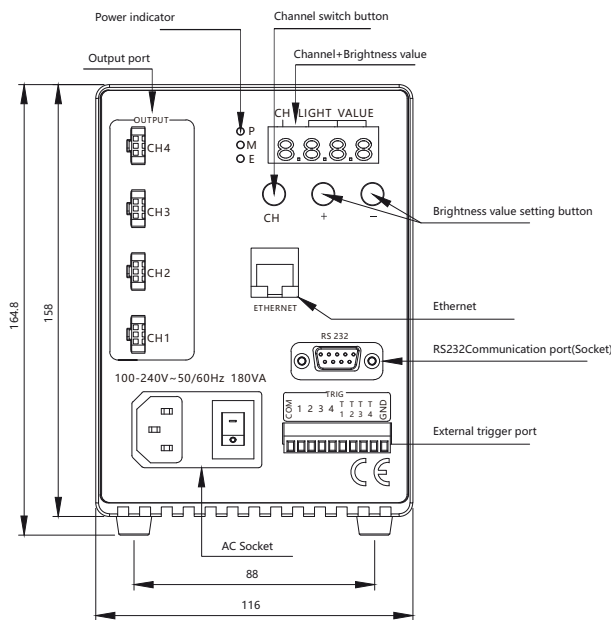
External trigger port definition



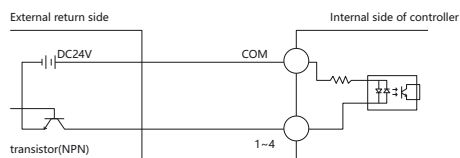
Port	Port definitions
COM	public port
1	CH1External trigger signal input
2	CH2External trigger signal input
3	CH3External trigger signal input
4	CH4External trigger signal input
T1	CH1Camera trigger signal output
T2	CH2Camera trigger signal output
T3	CH3Camera trigger signal output
T4	CH4Camera trigger signal output
GND	Camera trigger signal output negative

Note: COM ports are no positive or negative poles

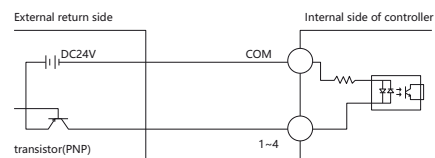
Product dimension(mm)



Sketch for Inner circuit of external trigger



NPN control circuit
VCC access COM
1~4access the corresponding control interface



PNP control circuit
GNDaccess COM
1~4access the corresponding control interface

Strobe controller BPS Series



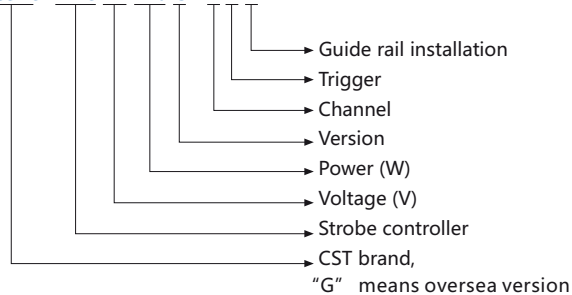
Product feature

- The pulse width of output voltage can set from 1us~999us, setting by ratio
- With an exposure flash light source, suitable for short exposure time
- Automatically output the camera trigger signal, and take photos at the same time
- Working in external trigger mode to turn on lights as request or working in internal trigger mode to turn on lights as fixed-frequency

CSTG No.

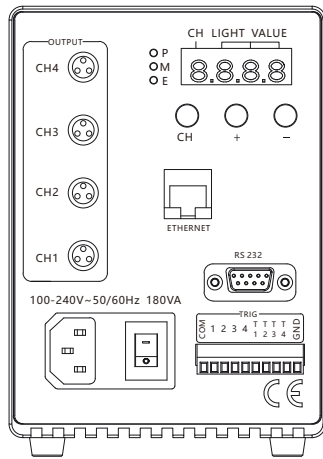
Strobe controller (CSTG-BPS Series)

CSTG - BPS 24 120 C - 4 T D

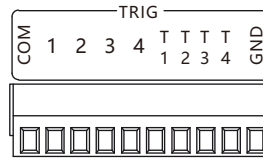


CSTG No.	CSTG-BPS24120C-4TD
Drive method	Constant voltage
Pulse width adjust mode	Panel button / RS232 /Ethernet
Input voltate	AC100-240V 50/60Hz
Channel	4
Output voltage	48V
Max output voltage	Peak value50A (Single channel)
Total power	120W
Output port	Φ10-3 (1: Output+ 2: NC 3: Output-)
External trigger voltage	DC5V~24V (Current about 5.6mA)
Trigger delay	<2μs
Using temp/humidity	Temp: 0~40°C、 Humidity: 20~85%RH (Non-condensation)
Storage temp/humidity	Temp: -20~60°C、 Humidity: 20~85%RH (Non-condensation)
Cooling method	Forced cooling

Front panel



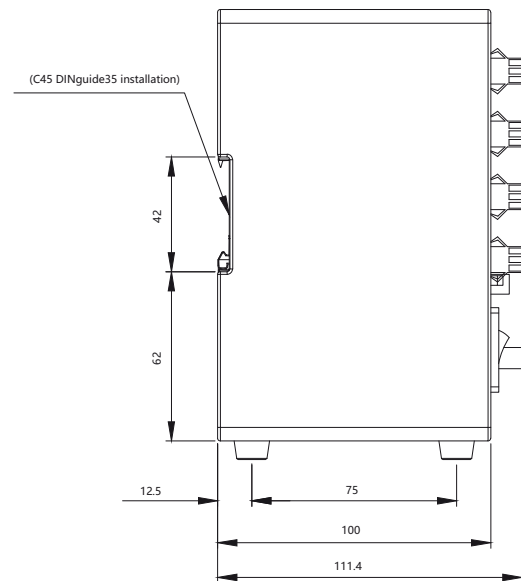
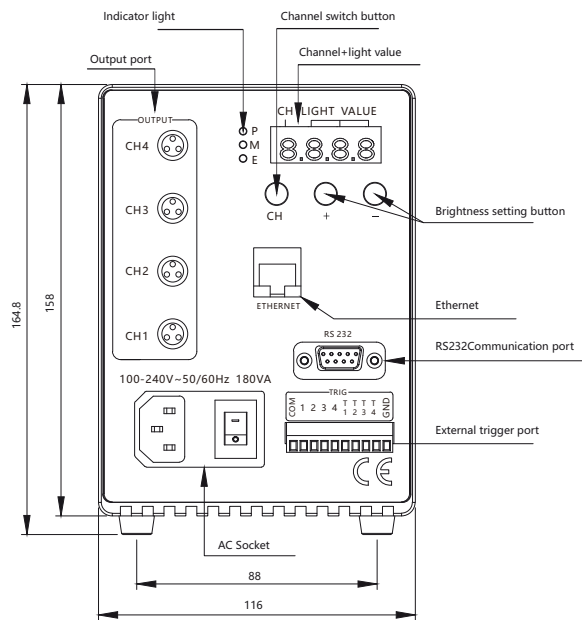
External trigger port



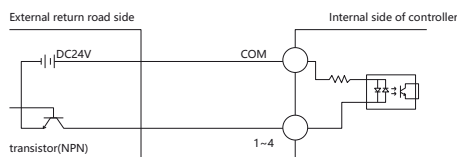
Port	Port definitions
COM	External trigger signal input public port
1	CH1External trigger signal input
2	CH2External trigger signal input
3	CH3External trigger signal input
4	CH4External trigger signal input
T1	CH1Camera trigger signal input
T2	CH2Camera trigger signal input
T3	CH3Camera trigger signal input
T4	CH4Camera trigger signal input
GND	Camera trigger signal output negative pole

Remark: COM ports are non-polar

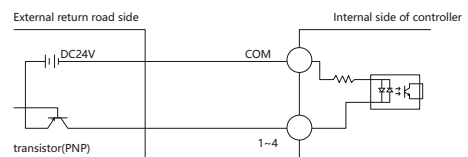
Dimension(mm)



Sketch for Inner circuit of external trigger



NPN control circuit
 VCC access COM
 1~4 access to the corresponding control interface



NPN control circuit
 GND access COM
 1~4 access to the corresponding control interface

Constant current controller CPL Series



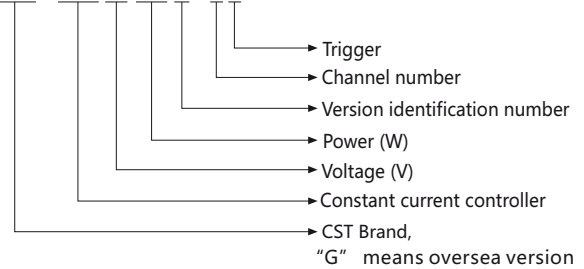
Product feature

- With 1000 degree brightness adjustment
- Constant light, constant off mode switch, can choose the working mode according to the actual situation
- External trigger adopts high speed optocoupler isolation design, provide accurate and high reliability trigger signal
- The constant current output ensure the stability of brightness, prolong the usage life
- Suitable for CSTG-HCOS series of coaxial light source

CSTG No.

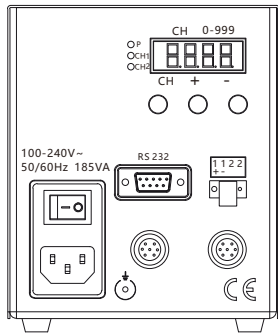
Constant current controller (CSTG-CPL Series)

CSTG - CPL 48 150 B - 2 T

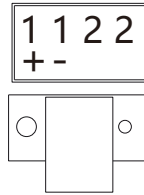


CSTG No.	CSTG-CPL48150B-2T
Drive method	Constant current
Light control mode	Variable current control
	Panel key / RS232
Input voltage	AC100-240V 50/60Hz
Channel	2
Output voltage	48V
Max output voltage	2.8A (Single channel maximum current 1.4A)
Total power	150W
Output port	Φ12
External trigger voltage	DC5V~24V (current about 5.6mA)
Trigger delay	<50us
Using temp/humidity	Temp: 0~40°C、Humidity: 20~85%RH (Non-condensation)
Storage temp/humidity	Temp: -20~60°C、Humidity: 20~85%RH (Non-condensation)
Cooling method	Forced cooling

Front pannel

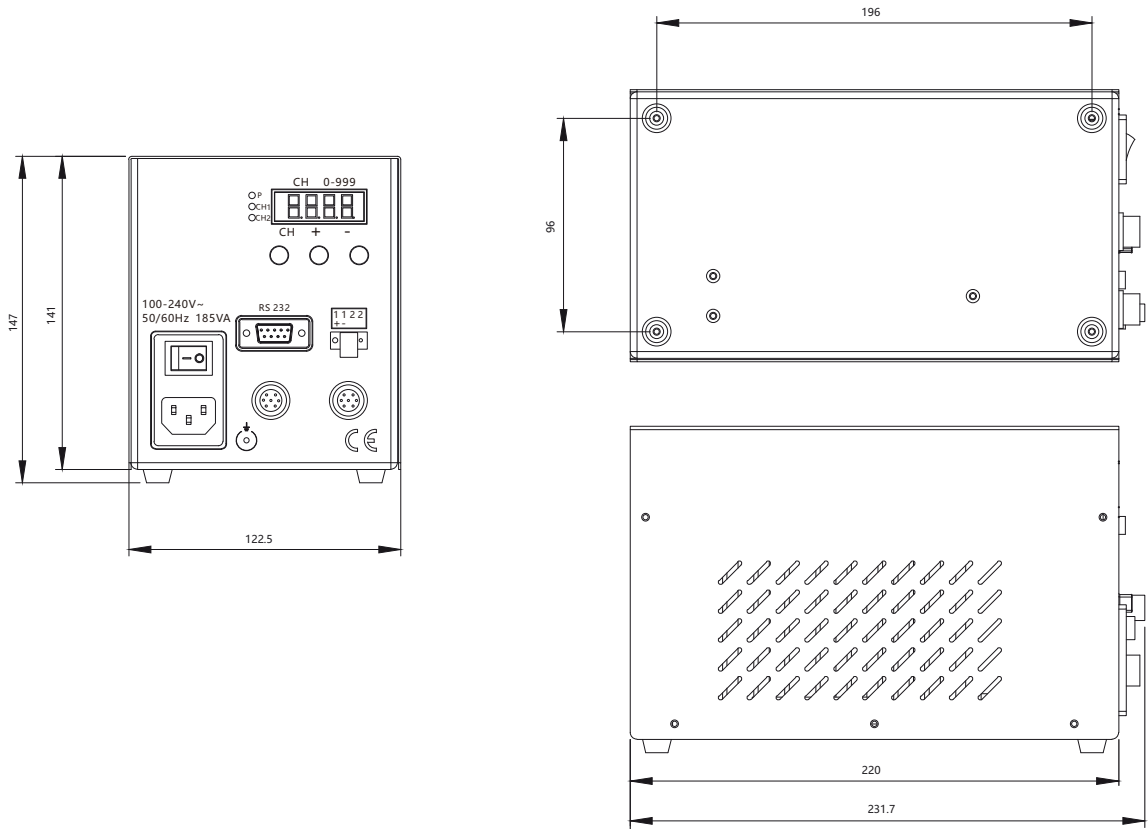


External port

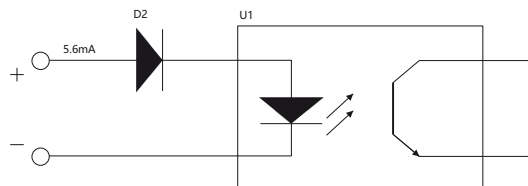


Port	Port definitions
1+	Ch1 Channel external trigger input positive pole
1-	Ch1 channel external trigger input negative
2+	Ch2 Channel external trigger input positive pole
2-	Ch2channel external trigger input negative

Product dimension(mm)



Sketch for Inner circuit of external trigger



Constant current controller CPL Series



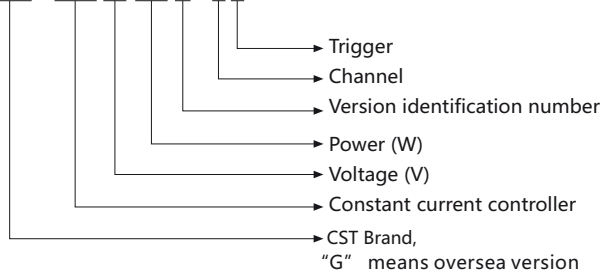
Product feature

- ◆ The constant current output ensure the stability of brightness prolong the usage life
- ◆ 0-255 degree 256 degree brightness adjustment, provide buttons RS232 Ethernet mode to control brightness
- ◆ Positive pole trigger negative pole trigger switch can choose the working mode according to the actual situation
- ◆ External trigger adopts high speed optocoupler isolation design provide accurate and high reliability trigger signal
- ◆ With power failure saving function

CSTG No.

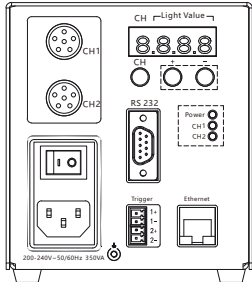
Constant current controller (CSTG-CPL Series)

CSTG - CPL 48 320 C - 2 T

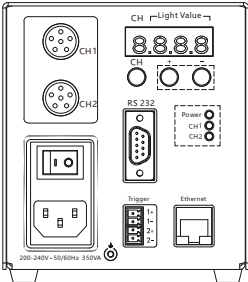


CSTG No.	CSTG-CPL48320C-2T	CSTG-CPL48760C-2T
Drive method	Constant current	
Light control mode	Variable current control	
	Panel key / RS232 / Ethernet	
Input voltage	AC100-240V 50/60Hz	
Channel	2	
Output voltage	48V	
Max output voltage	6.8A (~ 3.4A)	15.8A (Single channel maximum current7.9A)
Total power	320W	760W
Output port	Φ16 air head	Φ24 air head
External trigger voltage	DC5V~24V (current about 6mA)	
Trigger delay	<100us	
Using temp/humidity	Temp: 0~40°C, Humidity: 20~85%RH (Non-condensation)	
Storage temp/humidity	Temp: -20~60°C, Humidity: 20~85%RH (Non-condensation)	
Cooling method	Forced cooling	

Front pannel



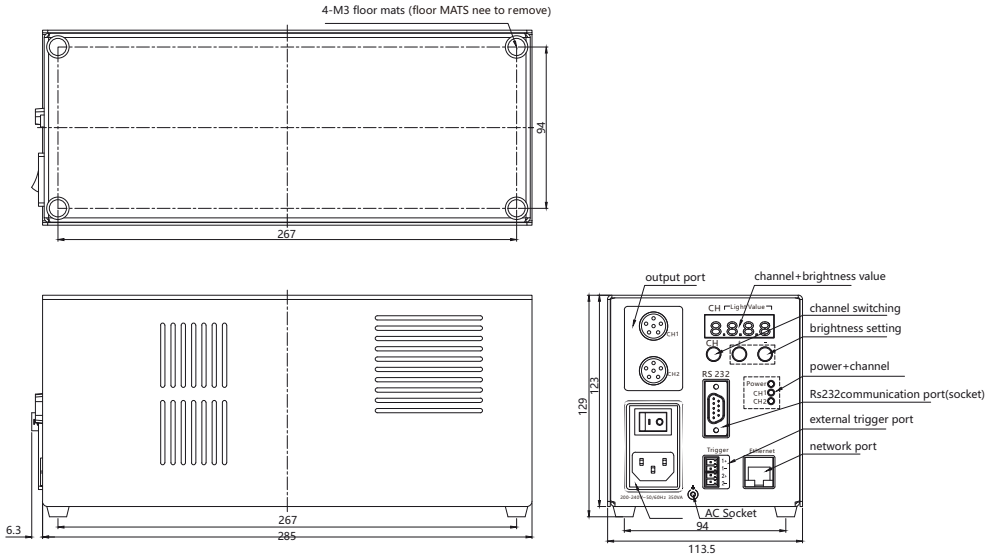
CSTG-CPL48320C-2T



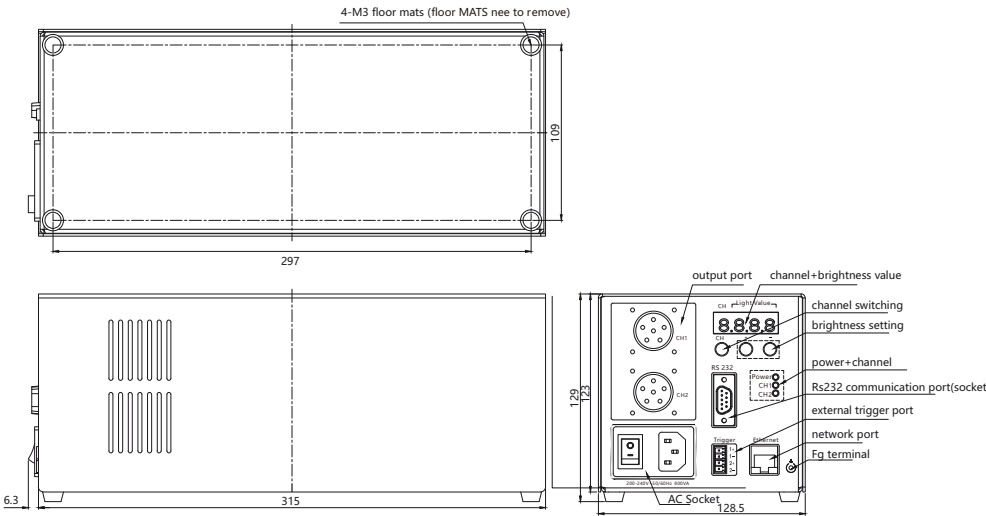
CSTG-CPL48760C-2T

Dimension(mm)

CSTG-CPL48320C-2T

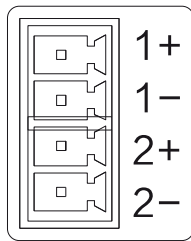


CSTG-CPL48760C-2T



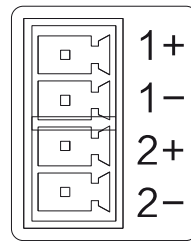
Constant current controller- CPL Series

External trigger port definition



CSTG-CPL48320C-2T

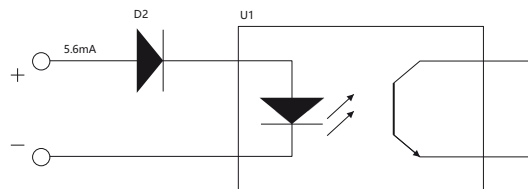
Port	Port definition
1+	Ch1 Channel external trigger input positive pole
1-	Ch1 channel external trigger input negative
2+	Ch2 channel external trigger input positive pole
2-	Ch2 channel external trigger input negative



CSTG-CPL48760C-2T

Port	Port definition
1+	Ch1channel external trigger signal positive pole
1-	CH1external trigger signal negative
2+	Ch2 external trigger signal positive pole
2-	Ch2External trigger signal negative

Schematic diagram of external trigger circuit



Bangkok System Technology Co.,Ltd

69 Moo 6 T.Klongsi A.Klongluang Pathumthani 12120

E-mail:sales@bangkoksystems.com

H/P:081-6949450